



Submittal Data Sheet

1.0-Ton Floor Standing

FXLQ12MVJU9

FEATURES

- One of our slimmest indoor units (less than 8") fits any interior design
- Wide air discharge outlet distributes a comfortable airflow throughout the entire space
- Silent stream fan technology keeps sound pressure levels low
- Ideal for installation beneath a window
- Unit requires minimal installation space
- Standard Limited Warranty: 10-year warranty on compressor and all parts



VRV





Submittal Data Sheet

1.0-Ton Floor Standing

FXLQ12MVJU9

PERFORMANCE

Indoor Unit Model No.	FXLQ12MVJU9	Indoor Unit Name:	1.0-Ton Floor Standing
Type:	Floor Standing	Rated Cooling Conditions:	Indoor (°F DB/WB): 80 / 67 Ambient (°F DB/WB): 95 / 75
Rated Cooling Capacity (Btu/hr):	12,000	Rated Heating Conditions:	Indoor (°F DB/WB): 70 / 60 Ambient (°F DB/WB): 47 / 43
Sensible Capacity (Btu/hr):	8,300	Rated Piping Length(ft):	
Cooling Input Power (kW):	0.080	Rated Height Separation (ft):	
Rated Heating Capacity (Btu/hr):	13,500		
Heating Input Power (kW):	0.08		

INDOOR UNIT DETAILS

Power Supply (V/Hz/Ph):	208-230 / 60 / 1	Airflow Rate (H/L) (CFM):	280/210
Power Supply Connections:	L1, L2, Ground	Moisture Removal (Gal/hr):	
Min. Circuit Amps MCA (A):	0.5	Gas Pipe Connection (inch):	1/2
Max Overcurrent Protection (MOP) (A):	15	Liquid Pipe Connection (inch):	1/4
Dimensions (HxWxD) (in):	23-5/8 x 44-3/8 x 8-3/4	Condensate Connection (inch):	25/32
Net Weight (lb):	66	Sound Pressure (H/L) (dBA):	36/33
Ext. Static Pressure (Rated/Max) (inWg):	/	Sound Power Level (dBA):	

Submittal Data Sheet

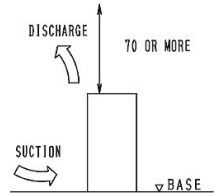
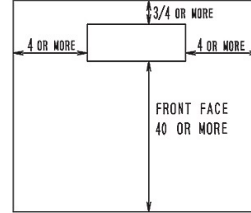
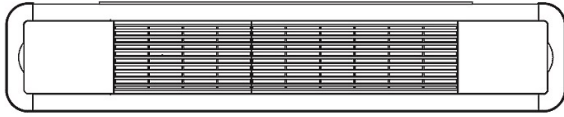
1.0-Ton Floor Standing

FXLQ12MVJU9

DIMENSIONAL DRAWING

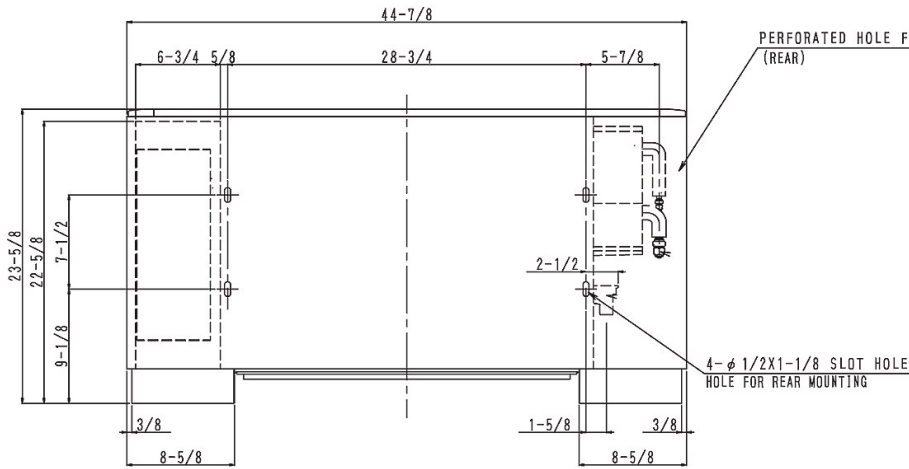
FXLQ12MVJU9
Unit (in.)

TOP VIEW



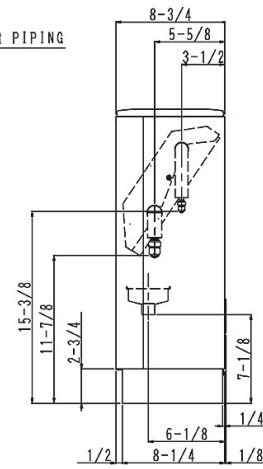
REQUIRED INSTALLATION SPACE

FRONT VIEW



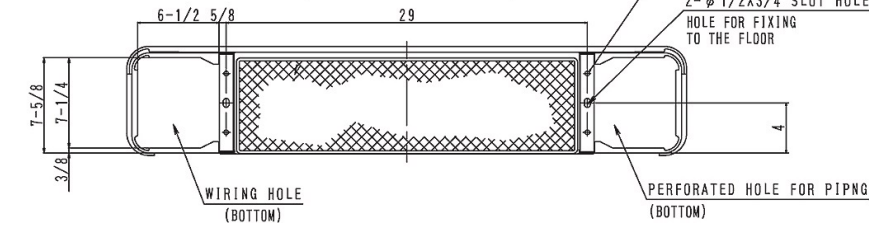
PERFORATED HOLE FOR PIPING (REAR)

4-φ 1/2X1-1/8 SLOT HOLE HOLE FOR REAR MOUNTING



RIGHT SIDE VIEW

BOTTOM VIEW



LEVEL ADJUSTING SCREW AS STANDARD ACCESSORY 4-M6

2-φ 1/2X3/4 SLOT HOLE HOLE FOR FIXING TO THE FLOOR

WIRING HOLE (BOTTOM)

PERFORATED HOLE FOR PIPING (BOTTOM)