



**Submittal Data Sheet**

3.0-Ton Roundflow Sensing Cassette Cooling Only  
FCQ36TAVJURZR36TAVJUA

**INDOOR UNIT**



**OUTDOOR UNIT**





## Submittal Data Sheet

3.0-Ton Roundflow Sensing Cassette Cooling Only  
FCQ36TAVJURZR36TAVJUA

### SYSTEM PERFORMANCE

Indoor Unit Model No.	FCQ36TAVJU	Indoor Unit Name:	Sky-Air Round Flow Sensing Cassette
Outdoor Unit Model No.	RZR36TAVJUA	Outdoor Unit Name:	Sky-Air Cooling Only ODU
Rated Cooling Capacity (Btu/hr):	36,000	Rated Cooling Conditions:	Indoor (°F DB/WB): 80 / 67 Ambient (°F DB/WB): 95 / 75
Sensible Capacity (Btu/hr):	28,300	Rated Piping Length(ft):	25
Max/Min Cooling Capacity (Btu/hr):	/	Rated Height Difference (ft):	0.00
Cooling Input Power (kW):			
SEER (Non-Ducted/Ducted):	17.60 /		
EER (Non-Ducted/Ducted):	11.40 /		

### SYSTEM DETAILS

Refrigerant Type:	R-410A	Cooling Operation Range (°F DB):	23 - 122
Holding Refrigerant Charge (lbs):	7.9	Heating Operation Range (°F WB):	-
Additional Charge (lb/ft):	0.04	Max. Pipe Length (Vertical) (ft):	98
Pre-charge Piping (Length) (ft):	15	Cooling Range w/Baffle (°F DB):	0 - 122
Max. Pipe Length (Total) (ft):	230	Heating Range w/Baffle (°F WB):	-
Max Height Separation (Ind to Ind ft):	0		



## Submittal Data Sheet

3.0-Ton Roundflow Sensing Cassette Cooling Only  
FCQ36TAVJURZR36TAVJUA

### INDOOR UNIT DETAILS

Power Supply (V/Hz/Ph):	208-230 / 60 / 1	Airflow Rate (H/M/L) (CFM):	1165/918/671
Power Supply Connections:	L2, L2, Ground	Moisture Removal (Gal/hr):	
Min. Circuit Amps MCA (A):	1.5	Gas Pipe Connection (inch):	5/8
Max Overcurrent Protection (MOP) (A):	15	Liquid Pipe Connection (inch):	3/8
Dimensions (HxWxD) (in):	11-23/32 x 33-1/16 x 33-1/16	Condensate Connection (inch):	1
Net Weight (lb):	70	Sound Pressure (H/M/L) (dBA):	44/38/32
Ext. Static Pressure (Rated/Max) (inWg):	/	Sound Power Level (dBA):	

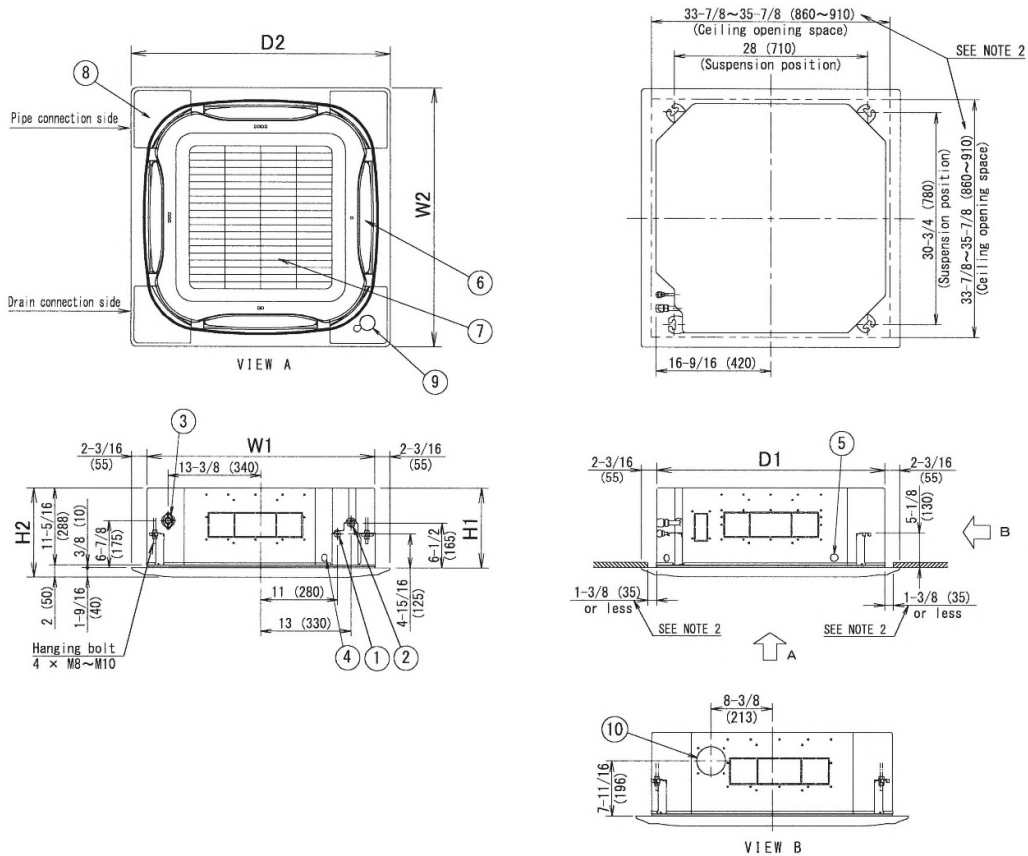
### OUTDOOR UNIT DETAILS

Power Supply (V/Hz/Ph):	208-230 / 60 / 1	Compressor Stage:	
Power Supply Connections:	L1, L2, Ground	Capacity Control Range (%):	-
Min. Circuit Amps MCA (A):	29.1	Airflow Rate (H) (CFM):	3741
Max Overcurrent Protection (MOP) (A):	35	Gas Pipe Connection (inch):	5/8
Max Starting Current MSC(A):		Liquid Pipe Connection (inch):	3/8
Rated Load Amps RLA(A):	19	Sound Pressure (H) (dBA):	57
Dimensions (HxWxD) (in):	52-15/16 x 35-7/16 x 12-5/8	Sound Power Level (dBA):	
Net Weight (lb):	225		

## Submittal Data Sheet

3.0-Ton Roundflow Sensing Cassette Cooling Only  
FCQ36TAVJURZR36TAVJUA

## DIMENSIONAL DRAWING - INDOOR UNIT



Unit : in. (mm)

ITEM	PART NAME	REMARK
1	Liquid pipe connection	φ3/8 (φ9.5) Flare connection
2	Gas pipe connection	φ5/8 (φ15.9) Flare connection
3	Drain pipe connection	VP25 (O. D. φ1-1/4 (φ32). I. D. φ1 (φ25))
4	Power supply entry hole	
5	Transmission wiring entry hole	
6	Air Outlet	
7	Air Inlet grille	
8	Corner decoration cover	
9	Sensor	Infrared presence sensor Infrared floor sensor
10	Knock out hole	φ3-15/16 (φ100)

Without panel	H1	11-3/4 (298)
	W1	33-1/16 (840)
	D1	33-1/16 (840)
With panel	H2	13-5/16 (338)
	W2	37-3/8 (950)
	D2	37-3/8 (950)

Notes) 1. Location of the nameplates:

- Unit body: on the control box cover.
- Decoration panel: on the panel frame at the motor side under the corner cover.

2. Make sure the spacing between the ceiling and the cassette is no more than 1-3/8" (35mm).  
MAX ceiling opening: 35-7/8" (910mm).

3. When the conditions exceed 86°F (30°C) and RH 80% in the ceiling or fresh air is inducted into the ceiling an additional insulation is required (polyethylene foam, thickness 3/8" (10mm) or more).

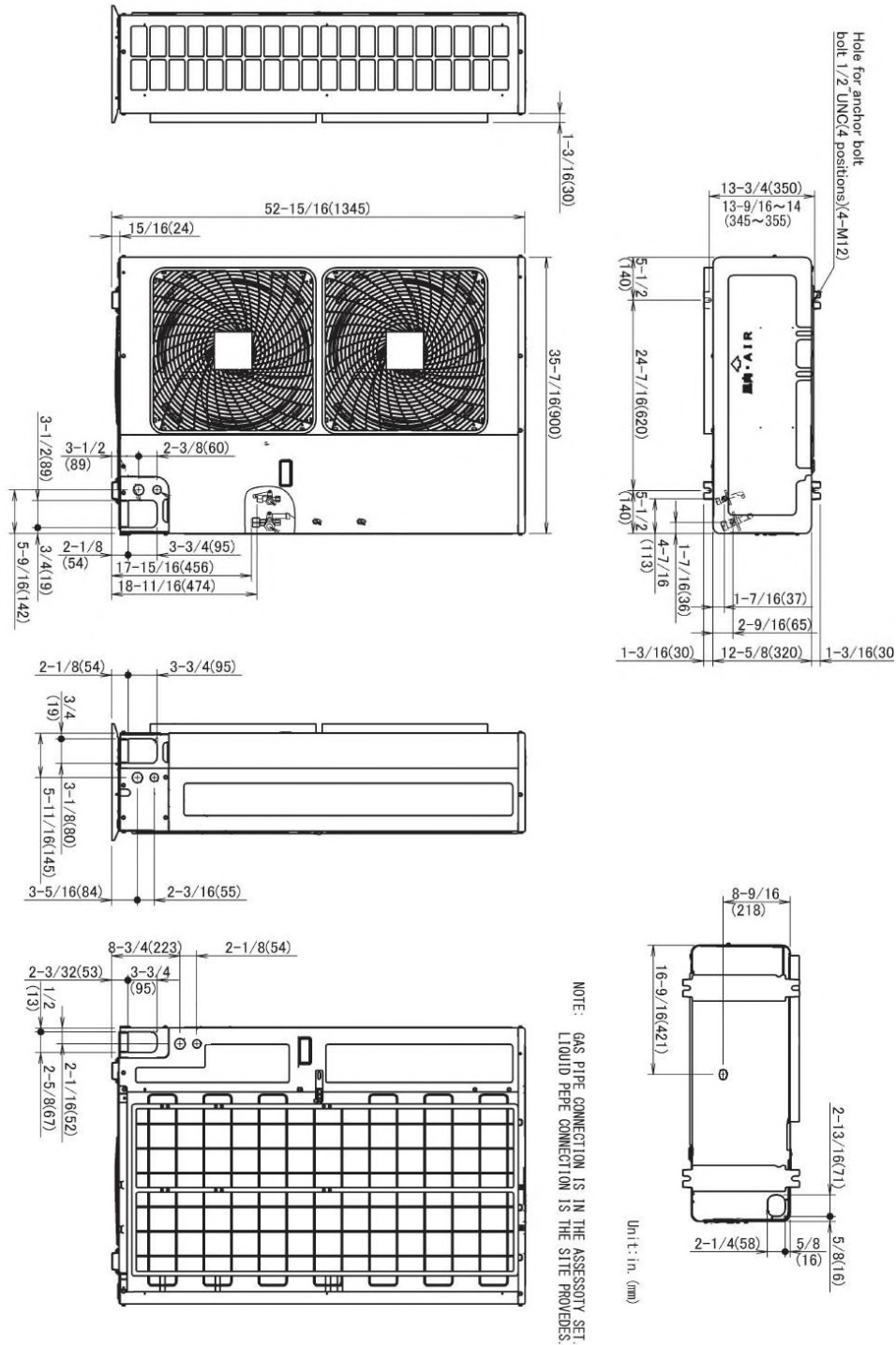
Note: For additional dimensional data and clearance information, refer to Engineering Data



## Submittal Data Sheet

3.0-Ton Roundflow Sensing Cassette Cooling Only  
FCQ36TAVJURZR36TAVJUA

## DIMENSIONAL DRAWING - OUTDOOR UNIT



Note: For additional dimensional data and clearance information, refer to Engineering Data