

DAT SERIES

COMMERCIAL AIR HANDLERS

Important Safety Instructions 2

Product Identification 3

Product Description 3

Unit Inspection 3

Codes & Regulations 3

Replacement Parts 3

Pre-Installation Instructions 3

Location 4

Ductwork 4

Supply Ductwork and Flanges 4

Return Ductwork 4

Return Air Filters 4

Electric Heat 4

Electrical Supply Wire and MOP 5

Building Electrical Service Inspection 5

Wire Sizing 6

Maximum Overcurrent Protection (MOP) 6

Electrical Connections 6

Supply Voltage 6

Air Handler Only (Non-Heat Kit Models) 6

Heater Kit Models 7

Low Voltage Connections 7

Heat Kit Installation 7

Refrigerant Lines 7

Tubing Preparation 7

Post Brazing 7

Piping Size 8

Multiple Condensers 8

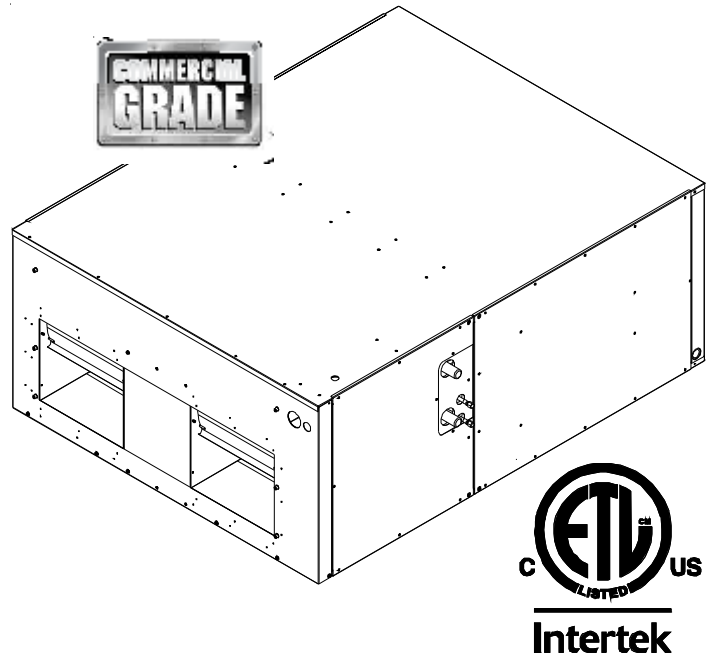
Evaporator Coil TXV 8

Airflow 8

Belt Tension 9

Regular Maintenance 9

Wiring Diagram 10



ATTENTION INSTALLING PERSONNEL:

Prior to installation, thoroughly familiarize yourself with this Installation Manual. Observe all safety warnings. During installation or repair, caution is to be observed.

It is your responsibility to install the product safely and to educate the customer on its safe use.



RECOGNIZE THIS SYMBOL AS A SAFETY PRECAUTION.



WARNING

Only personnel that have been trained to install, adjust, service or repair (hereinafter, “service”) the equipment specified in this manual should service the equipment. The manufacturer will not be responsible for any injury or property damage arising from improper service or service procedures. If you service this unit, you assume responsibility for any injury or property damage which may result. In addition, in jurisdictions that require one or more licenses to service the equipment specified in this manual, only licensed personnel should service the equipment. Improper installation, adjustment, servicing or repair of the equipment specified in this manual, or attempting to install, adjust, service or repair the equipment specified in this manual without proper training may result in product damage, property damage, personal injury or death.

IMPORTANT NOTE:

DAT models are suitable for Upflow and Horizontal Installations only. Do not use for Downflow Installations.



Important Safety Instructions

The following symbols and labels are used throughout this manual to indicate immediate or potential safety hazards. It is the owner's and installer's responsibility to read and comply with all safety information and instructions accompanying these symbols. Failure to heed safety information increases the risk of personal injury, property damage, and/or product damage.



WARNING

HIGH VOLTAGE!

Disconnect ALL power before servicing. Multiple power sources may be present. Failure to do so may cause property damage, personal injury or death.



WARNING

To avoid property damage, personal injury or death due to electrical shock, this unit **MUST** have an uninterrupted, unbroken electrical ground. The electrical ground circuit may consist of an appropriately sized electrical wire connecting the ground lug in the unit control box to the building electrical service panel.

Other methods of grounding are permitted if performed in accordance with the National Electric Code (NEC)/American National Standards Institute (ANSI)/National Fire Protection Association (NFPA) 70 and local/state codes. In Canada, electrical grounding is to be in accordance with the Canadian Electric Code (CSA) C22.1.



CAUTION

When installing or servicing this equipment, safety clothing, including hand and eye protection, is strongly recommended. If installing in an area that has special safety requirements (hard hats, etc.), observe these requirements.



WARNING

Do not connect to or use any device that is not design-certified by the manufacturer for use with this unit. Serious property damage, personal injury, reduced unit performance and/or hazardous conditions may result from the use of such non-approved devices.



WARNING

To prevent the risk of property damage, personal injury, or death, do not store combustible materials or use gasoline or other flammable liquids or vapors in the vicinity of this unit.



WARNING

This airhandler is designed for Upflow or Horizontal-Left applications. **DO NOT INSTALL IN THE DOWNFLOW OR HORIZONTAL-RIGHT ORIENTATION.**



DANGER
PELIGRO



CARBON MONOXIDE POISONING HAZARD

Special Warning for Installation of Furnace or Air Handling Units in Enclosed Areas such as Garages, Utility Rooms or Parking Areas

Carbon monoxide producing devices (such as an automobile, space heater, gas water heater, etc.) should not be operated in enclosed areas such as unventilated garages, utility rooms or parking areas because of the danger of carbon monoxide (CO) poisoning resulting from the exhaust emissions. If a furnace or air handler is installed in an enclosed area such as a garage, utility room or parking area and a carbon monoxide producing device is operated therein, there must be adequate, direct outside ventilation.

This ventilation is necessary to avoid the danger of CO poisoning which can occur if a carbon monoxide producing device continues to operate in the enclosed area. Carbon monoxide emissions can be (re)circulated throughout the structure if the furnace or air handler is operating in any mode.

CO can cause serious illness including permanent brain damage or death.

B10259-216

RIESGO DE INTOXICACIÓN POR MONÓXIDO DE CARBONO

Advertencia especial para la instalación de calentadores ó manejadoras de aire en áreas cerradas como estacionamientos ó cuartos de servicio.

Los equipos ó aparatos que producen monóxido de carbono (tal como automóvil, calentador de gas, calentador de agua por medio de gas, etc) no deben ser operados en áreas cerradas debido al riesgo de envenenamiento por monóxido de carbono (CO) que resulta de las emisiones de gases de combustión. Si el equipo ó aparato se opera en dichas áreas, debe existir una adecuada ventilación directa al exterior.

Esta ventilación es necesaria para evitar el peligro de envenenamiento por CO, que puede ocurrir si un dispositivo que produce monóxido de carbono sigue operando en el lugar cerrado.

Las emisiones de monóxido de carbono pueden circular a través del aparato cuando se opera en cualquier modo.

El monóxido de carbono puede causar enfermedades severas como daño cerebral permanente ó muerte.

B10259-216

RISQUE D'EMPOISONNEMENT AU MONOXYDE DE CARBONE

Avertissement special au sujet de l'installation d'appareils de chauffage ou de traitement d'air dans des endroits clos, tels les garages, les locaux d'entretien et les stationnements.

Évitez de mettre en marche les appareils produisant du monoxyde de carbone (tels que les automobile, les appareils de chauffage autonome, etc.) dans des endroits non ventilés tels que les d'empoisonnement au monoxyde de carbone. Si vous devez faire fonctionner ces appareils dans un endroit clos, assurez-vous qu'il y ait une ventilation directe provenant de l'exterieur.

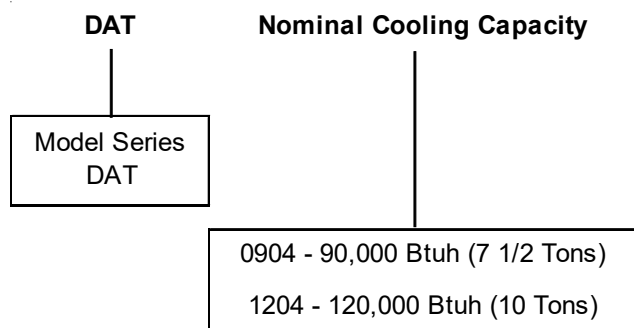
Cette ventilation est nécessaire pour éviter le danger d'intoxication au CO pouvant survenir si un appareil produisant du monoxyde de carbone continue de fonctionner au sein de la zone confinée.

Les émissions de monoxyde de carbone peuvent être recirculées dans les endroits clos, si l'appareil de chauffage ou de traitement d'air sont en marche.

Le monoxyde de carbone peut causer des maladies graves telles que des dommages permanents au cerveau et même la mort.

B10259-216

Product Identification



Product Description

When matched with DX11TA, DZ11TA, DX13SA and DZ13SA condensers, this system complies with the minimum efficiency requirements found in ASHRAE 90.1-2016. See the Daikin DX11TA, DZ11TA, DX13SA and DZ13SA specification sheets for details on these condensers. For other Daikin condenser(s) that can be matched with this airhandler to obtain ASHRAE 90.1-2016 compliance, consult with your local distributor.

The DAT series is intended for use with a room thermostat. This thermostat is not supplied with this equipment. Only thermostats that use 24 VAC control circuitry are to be used.

	DAT0904	DAT1204
Net Weight (Lbs.)	400	400
Shipping Weight (Lbs.)	430	430
Refrigerant	R-410A	R-410A
Blower Wheel (Dia x Width)	11X10	11X10
Blower Wheel Quantity	2	2
Motor Type	Belt Drive	Belt Drive
Motor Qty	1	1
Motor (HP)	2	2
Motor (RPM)	1750	1750
Motor Sheave Type	Adjustable Variable Pitch	
Motor Sheave Diameter (in)	1.9" - 2.9"	2.8" - 3.8"
Blower Wheel Pulley Type	Fixed Diameter	
Blower Wheel Pulley Dia (in)	5.9	5.9
Evaporator Coil Material	Copper Tubes / Al Fins	
Face Area (Ft ²)	10.0	10.0
Number of Rows	4	4
Suction Line Quantity	2	2
Suction Line Connection (in) *	1 1/8	1 1/8
Liquid Line Quantity	2	2
Liquid Line Connection (in)*	3/8	3/8
Metering Device	Thermal Expansion Valve (TXV)	
TXV Type	Non-adjustable (factory installed)	
TXV Quantity	2	2

*Note: Consult with the condenser specifications for suction and liquid line sizing.

Unit Inspection

Upon delivery, the unit is to be inspected for damage. Any damage must be reported immediately to the carrier. Do not install this equipment if it is determined that the integrity or safety has been compromised by freight damage.

Using the table "Model Identification" section check the equipment model number to ensure the unit is appropriately sized for the condenser unit(s).

If an incorrect unit is supplied it must not be installed and it is to be returned to the supplier. The manufacturer assumes no responsibility for the installation of incorrect delivered units.

The evaporator coil contains a high-pressure inert gas holding charge.

Codes & Regulations

This product is designed and manufactured to comply with national codes. Installation in accordance with such codes and/or prevailing local codes/regulations is the responsibility of the installer. The manufacturer assumes no responsibility for equipment installed in violation of any codes or regulations.

The United States Environmental Protection Agency (EPA) has issued various regulations regarding the introduction and disposal of refrigerants. Failure to follow these regulations may harm the environment and can lead to the imposition of substantial fines. Should you have any questions please contact the local office of the EPA.

Replacement Parts

When reporting shortages or damages, or ordering repair parts, give the complete product model and serial numbers as stamped on the product. Replacement parts for this product are available through your contractor or local distributor. For the location of your nearest distributor consult the white business pages, the yellow page section of the local telephone book or contact:

EQUIPMENT SUPPORT
 DAIKIN NORTH AMERICA LLC
 19001 KERMIER ROAD
 WALLER, TEXAS 7484
 855-770-5678

If replacing an air handler, the system must be manufacturer approved and Air-Conditioning, Heating, and Refrigeration Institute (AHRI) matched. **NOTE:** Installation of unmatched systems is strongly discouraged.

Pre-Installation Instructions

Carefully read all instructions for the installation prior to installing product. Make sure each step or procedure is understood and any special considerations are taken into account before starting installation. Assemble all tools, hardware and supplies needed to complete the installation. Some items may need to be purchased locally. Make sure everything needed to install the product is on hand before starting.

Location

NOTE: Airhandlers are designed for *indoor installation only*.

When installing this airhandler in an enclosed area, such as a garage/parking area, as with any carbon monoxide producing device (i.e. and automobile, space heater, water heater, etc.), insure that the area is properly ventilated.

The DAT airhandler is suitable for installation in multiple locations including:

- * Overhead (attic/mezzanine, etc.)
- * Closet/mechanical room

When installing this airhandler, consideration is to be given to minimize the length of refrigerant tubing. Also, do not install the airhandler in a location either above or below the condenser that violates the instructions provided with the condenser.

The clearance from a combustable surface to the unit may be 0". However, service clearance is to take precedence. In addition allow a minimum of 36" in front of the unit for service clearance. Allow sufficient clearance to remove the heater elements for service or replacement in heat kits when utilized in application.

When installing in an area directly over a finished ceiling (such as an attic), an emergency drain pan is required directly under the unit. See local and state codes for additional requirements.

When installing this unit in an area that may become wet, elevate the unit with a sturdy, non-porous material.

In installations that may lead to physical damage (warehouse, industrial sites, etc.), it is advised to install a protective barrier to prevent such damage.

Ductwork

This DAT air handler is designed for a complete supply and return ductwork system.



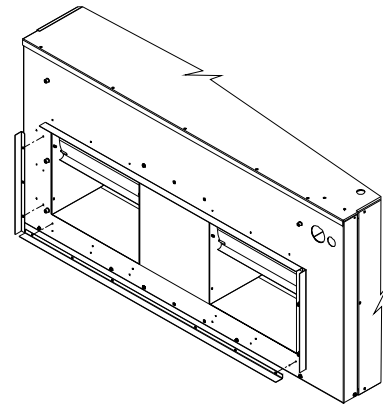
CAUTION

Do not operate this product without all the ductwork attached.

To ensure correct system performance, the ductwork is to be sized to accommodate 375-425 CFM per ton of cooling with the static pressure not to exceed .5" WC. Inadequate duct work that restricts airflow can result in improper performance and compressor or heater failure. Ductwork is to be constructed in a manner that limits restrictions and maintains suitable air velocity. Ductwork is to be sealed to the unit in a manner that will prevent leakage.

Supply Ductwork and Flanges

The supply ductwork flanges are shipped loose and required to be field installed. See the following sketch for further details: Dimensions are approximately 40" x 13-1/8".



Return Ductwork

DO NOT TERMINATE THE RETURN DUCTWORK IN AN AREA THAT CAN INTRODUCE TOXIC, OR OBJECTIONABLE FUMES/ODORS INTO THE DUCTWORK. The return ductwork is to be introduced into the air handler bottom (upflow configuration). The cabinet dimensions are 48" x 24".

Return Air Filters

Each installation must include a return air filter. This unit is factory equipped with disposable return air filters. To ensure optimum performance, frequent filter replacement is advised. See the following table for the factory installed filter sizes.

Model	Filter Size (in)	Qty.
DAT0904 and DAT1204	16 x 20 x 2	2
	20 x 20 x 2	2

Electric Heat

Refer to this manual in combination with the instructions provided with the heat kit for the correct installation procedure.

The electrical characteristics of the airhandler, the electric heat kit, and the building power supply must agree.

The air handlers listed in this manual do not have factory installed electric heat. Electric heat is available as an accessory. If installing this option, the **ONLY** heat kits that can be used are the AHKD series.

AHKD MODEL NUMBER	NOMINAL KW	ELECTRICAL CHARACTERISTICS	STAGES
AHKD15-3	15	208-230/3/60	1
AHKD15-4	15	460/3/60	1
AHKD20-3	20	208-230/3/60	2
AHKD20-4	20	460/3/60	2
AHKD30-3	30	208-230/3/60	2
AHKD30-4	30	460/3/60	2

For all supply voltages, use the correction factors in the following tables, multiplied by KW and (or) temperature rise to have corrected results.

KW Correction Factors (-3 Models)

Supply Voltage	240	230	220	210	208
Correction Factor	1	0.92	0.84	0.77	0.75

KW Correction Factors (-4 Models)

Supply Voltage	480	460	440	415	380
Correction Factor	1	0.92	0.84	0.75	0.63

The heating mode temperatures rise is dependent upon the system airflow, the supply voltage, and the heat kit size (KW) selected. Use the following table to determine the temperature rise (°F).

DAT0904 & DAT1204 Temperature Rise Table (Degrees F°)

DAT0904 and DAT1204	KW	CFM	208	240	480
	15	3800	9	12	12
	15	3900	9	12	12
	15	4000	9	12	12
	15	4100	9	12	12
	15	4200	8	11	11
	20	3800	12	17	17
	20	3900	12	16	16
	20	4000	12	16	16
	20	4100	12	15	15
	20	4200	11	15	15
	30	3800	19	25	25
	30	3900	18	24	24
	30	4000	18	24	24
	30	4100	17	23	23
30	4200	17	23	23	


NOTE: The preceding table is calculated with both stages of electric heat engaged (2 stage heat systems). For systems using staged electric heat, divide the temperature rise from the table by 2 for 1st stage operation.

Electrical Supply Wire and MOP




CAUTION


FIRE HAZARD!
To avoid the risk of property damage, personal injury or fire, use only copper conductors.



WARNING

HIGH VOLTAGE!
Disconnect ALL power before servicing. Multiple power sources may be present. Failure to do so may cause property damage, personal injury or death.





WARNING

HIGH VOLTAGE!
To avoid property damage, personal injury or death due to electrical shock, this unit **MUST** have an uninterrupted, unbroken electrical ground. The electrical ground circuit may consist of an appropriately sized electrical wire connecting the ground lug in the unit control box to the building electrical service panel.
Other methods of grounding are permitted if performed in accordance with the National Electric Code (NEC)/American National Standards Institute (ANSI)/National Fire Protection Association (NFPA) 70 and local/state codes. In Canada, electrical grounding is to be in accordance with the Canadian Electric Code (CSA) C22.1.

Building Electrical Service Inspection

This unit is designed for 3-phase operation. DO NOT OPERATE ON A SINGLE PHASE POWER SUPPLY. SEE THE PRECEDING WARNING. Measure the power supply to the unit. The supply voltage **must** be in agreement with the unit nameplate power requirements and within the range shown below:

Nominal	Minimum Supply Voltage	Maximum Supply Voltage
208 - 230	187	253
460	414	506

Voltage Balance The supply voltage shall be unbalance (phase to phase) within 2%. To calculate the percentage of voltage unbalance use the following formula:

$$\text{Percentage Voltage Unbalance} = 100 \times \frac{\text{Max Voltage Deviation From Average}}{\text{Average Voltage}}$$

Example.

$$L1 - L2 = 220 \text{ V}$$

$$L2 - L3 = 216 \text{ V}$$

$$L1 - L3 = 213 \text{ V}$$

$$\text{Avg. Voltage} = \frac{(220+216+213)}{3}$$

$$= \frac{649}{3}$$

$$= 216$$

$$\text{Max. Deviation from Avg.} = 220 - 216 = 4$$

$$\% \text{ Voltage Unbalance} = 100 \times \left(\frac{4}{216} \right)$$

$$= \frac{400}{216}$$

$$= 1.8\%$$

Determine Wire Size The selection of the appropriate supply wire size is important to the operation of the equipment. When selecting the wire size the following are important elements of the decision:

- The wire size is adequately sized to carry the Minimum Circuit Ampacity (MCA). Refer to the NEC (USA) or CSA (Canada) for wire sizing. The unit MCA for the airhandler and the optional electric heat kit can be found on the equipment S&R plate and the following table.

AIRHANDLER	VOLTAGE	HEAT KIT	MCA
DAT0904 and DAT1204	208-230	None	7.5 / 7.5
		AHKD15-3	46.6 / 52.6
		AHKD20-3	59.6 / 67.6
		AHKD30-3	85.7 / 97.7
	460	None	3.6
		AHKD15-4	26.2
		AHKD20-4	33.7
		AHKD30-4	48.7

Wire Sizing

Wire size is important to the operation of your equipment. Use the following check list when selecting the appropriate wire size for your unit.

- Wire size must carry the Minimum Circuit Ampacity (MCA).**
- Refer to the NEC (USA) or CSA (Canada) for wire sizing. The unit MCA for the air handler and the optional electric heat kit can be found on the unit Series and Rating Plate.
- Wire size allows for no more than a 2% voltage drop from the building breaker/fuse panel to the unit.**

Refer to the latest edition of the National Electric Code or in Canada the Canadian Electric Code when determining the correct wire size. The following table shows the current carrying capabilities for copper conductors rated at 75°C with a 2% voltage drop. Use **this table** determine the voltage drop per foot of various conductors.

**MAXIMUM ALLOWABLE LENGTH IN FEET
TO LIMIT VOLTAGE DROP TO 2%**

Wire Size (AWG)	Minimum Circuit Ampacity (MCA)							
	10	15	20	25	30	35	40	45
14	75	50	37	NR	NR	NR	NR	NR
12	118	79	59	47	NR	NR	NR	NR
10	188	125	95	75	63	54	NR	NR
8	301	201	150	120	100	86	75	68
6	471	314	235	188	157	134	118	110

Based on NEC 1996

Maximum Overcurrent Protection (MOP)

Every installation must include an NEC (USA) or CEC (Canada) approved overcurrent protection device. Also, check with local or state codes for any special regional requirements.

Protection can be in the form of fusing or HACR style circuit breakers. The Series and Rating Plate can be used as a guide for selecting the MAXIMUM overcurrent device or reference the following table.

NOTE: Fuses or circuit breakers are to be sized larger than the equipment MCA but not to exceed the MOP.

AIRHANDLER	VOLTAGE	HEAT KIT	MOP
DAT0904 and DAT1204	208-230	None	15 / 15
		AHKD15-3	40 / 50
		AHKD20-3	60 / 70
		AHKD30-3	90 / 100
	460	None	15
		AHKD15-4	25
		AHKD20-4	35
		AHKD30-4	50

Electrical Connections

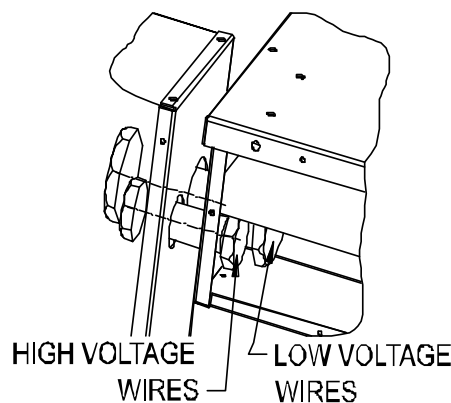
Supply Voltage

USE COPPER CONDUCTORS ONLY.

A single point supply voltage termination is provided in the airhandler control box (non-heat kit models) or heat kit control box (heat kit models). This termination is common to both the airhandler, and if equipped, heat kit. The wire is to be sized in accordance with the "Electrical Wire and MOP" section of this manual.

Air Handler Only (Non-Heat Kit Models)

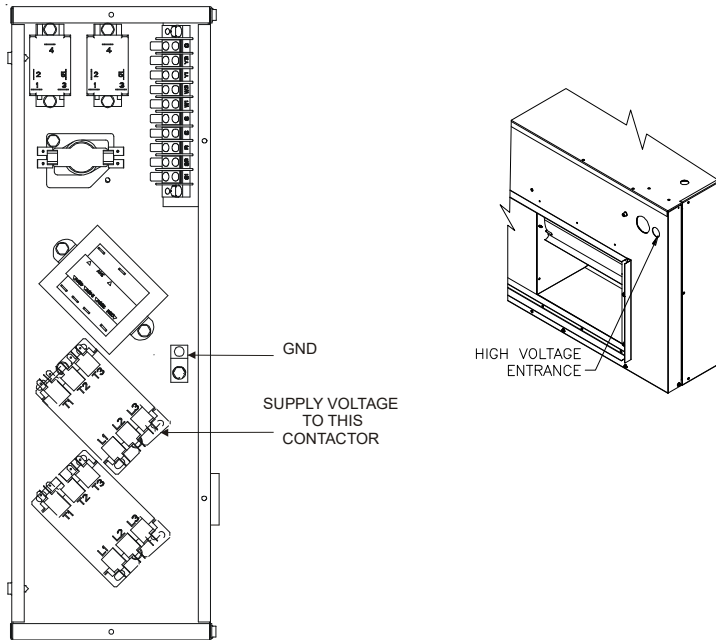
Supply wire is to be routed through conduit from the service disconnect box to the unit. The airhandler is equipped with a knockout suitable for 3/4" conduit. The following diagram illustrates the supply voltage hook-up.



Heater Kit Models

When a heater kit is used the system uses a single point wiring hook-up. The supply wire is to be routed through conduit from the service disconnect box to the heater kit. The heat kit is equipped with a knockout suitable for 1/2" or 3/4" conduit dependent on the KW. The supply voltage is to be installed on the terminal block located in the heater kit control box.

The heater kit is factory equipped with the supply and low voltage wires for the airhandler. The low voltage connection from the heater kit is provided through a multi-pin plug which connects to a mating plug in the airhandler. The high voltage connections are to be made at the air handler contactor. These wires are to be routed through the pipe nipples supplied with the heater kit as shown in the illustration:



Low Voltage Connections

The 24V-control voltage connects the airhandler to the room thermostat and condenser. These models are designed for use with a two-stage thermostat. Low voltage wiring is to be copper conductors, and be a minimum of 18AWG. A provision on the cabinet side to accept the low voltage wiring is provided. See the system wiring diagram for typical low voltage connections.

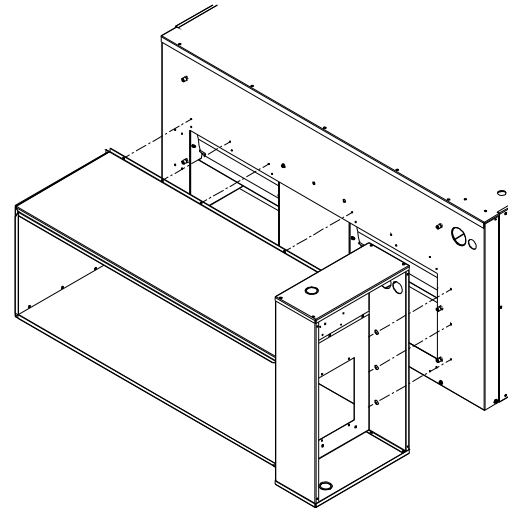
Heat Kit Installation

Inspect for Shipping Damage. The heat kit is an optional accessory that is shipped separately from the air handler. Inspect the heat kit for damage and report any damage to the carrier and/or distributor. Do not install this accessory if it is determined that the integrity or safety has been compromised by freight damage.

Check the Nameplate. From the heat kit nameplate check the following:

- The model number agrees with the approved models (see the "Electric Heat" section of this manual).
- The correct size (kW)
- Electric characteristics, voltage and phase, agree with the building electrical supply.

Attaching the Heat Kit The heat kit attaches directly to the top panel (when viewed in the upflow position) of the airhandler. Do not screw the heat kit into the duct flanges. See the following drawing for details:



The wires from the heat kit are to be routed through the pipe nipple into the air handler electrical compartment. See the "Electrical Connection" section of this manual for wiring details.

Refrigerant Lines

WARNING
This product is factory-shipped under pressure. Follow these instructions to prevent injury.

WARNING
A quenching cloth is strongly recommended to prevent scorching or marring of the equipment finish when welding close to the painted surfaces. Use brazing alloy of 5% minimum silver content.

Tubing Preparation

All cut ends are to be round, burr free, and clean. Failure to follow this practice increases the chances for refrigerant leaks. The suction line is spun closed and requires pipe cutters to remove the closed end.

Post Brazing

Quench all welded joints with water or a wet rag.

Piping Size

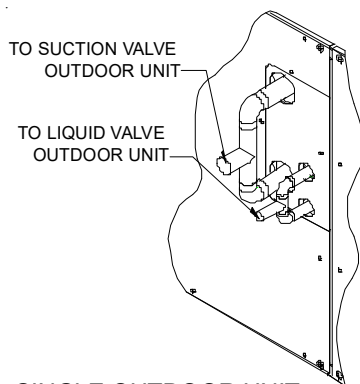
For the correct tubing size, follow the specification for the condenser/heat pump.

The DAT can be connected to a single condenser/heat pump, or connected to 2 condensers/heat pumps. When using a single outdoor unit, it is necessary to manifold the suction lines into a single connection. Similarly, the liquid lines are to be manifolded when matched with a single condenser/heat pump. See the following sketches for additional details.



CAUTION

Applying too much heat to any tube can melt the tube. Torch heat required to braze tubes of various sizes must be proportional to the size of the tube. Service personnel must use the appropriate heat level for the size of the tube being brazed.

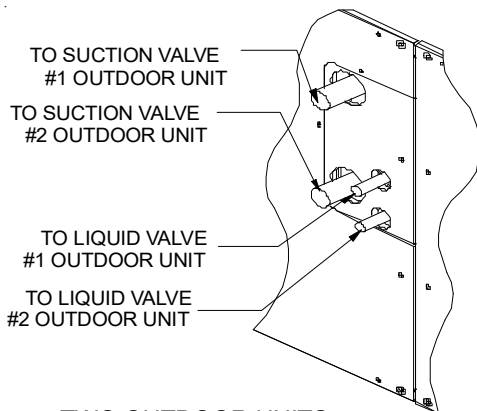


SINGLE OUTDOOR UNIT

Note: The resulting manifolds are to be sized to accept the suction and liquid line diameters prescribed within the condenser Installation Manual.

Multiple Condensers

The DAT can accept (2) condensers/heatpumps. When using two outdoor units, use the following piping procedure:



TWO OUTDOOR UNITS

IMPORTANT NOTE: Torch heat required to braze tubes of various sizes is proportional to the size of the tube. Tubes of smaller size require less heat to bring the tube to brazing temperature before adding brazing alloy. Applying too much heat to any tube can melt the tube. Service personnel must use the appropriate heat level for the size of the tube being brazed.

NOTE: The use of a heat shield when brazing is recommended to avoid burning the serial plate or the finish on the unit. Heat trap or wet rags should be used to protect heat sensitive components such as service valves and TXV valves.

Evaporator Coil TXV

Note: Thermal Expansion Valve (TXV) Bulb is not permanently connected to the suction from the factory. After suction and liquid line tubing is brazed in the field, the TXV bulb must be attached and insulation to the suction line(s) inside the cabinet at the 10 or 2 o'clock position. This location will be different depending on the orientation of the unit, vertical or horizontal. Always locate the TXV bulb on the top of the suction tube at 10 or 2 o'clock.

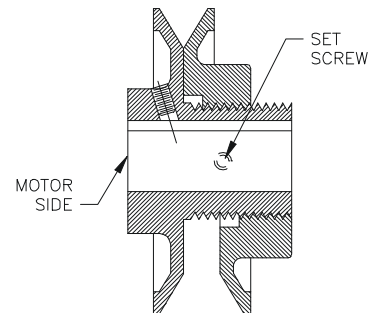
Check condensing unit / heat pump instructions for charging method.

Airflow

The blower uses a belt drive motor that has an adjustable sheave. The factory setting for the DAT0904 is 4 turns open and the DAT1204 is 3 turns open.

To increase the airflow:

- Remove the blower belt
- Loosen the set screw as shown below.



- With the sheave stationary - rotate the other half clockwise (screw in).
- Tighten the set screw
- Reinstall the belt

To decrease the airflow perform the same as above but rotate the sheave counterclockwise (screw out).

The following table can be used as guide for system airflow:

DAT0904					
Static Pressure	Sheave Turns Open				
	1	2	3	4	5
0.1					-
0.2				-	3246
0.3			-	3194	2941
0.4		-	3393	2871	2561
0.5		-	3027	2482	2133
0.6	-	3139	2710	2137	-
0.7	3276	2757	2217	-	-
0.8	2866	2255	-		
0.9	2458	1832	-		

4. Check for proper charge and (or) for refrigerant leaks.
If these few precautions are observed and maintained, this Airhandler can provide years of trouble free service.


DAT1204						
Static Pressure	Sheave Turns Open					
	0	1	2	3	4	5
0.1				-	4472	4134
0.2				-	4119	3776
0.3			-	4322	3936	3561
0.4		-	4406	3955	3683	3304
0.5	-	4427	4026	3761	3402	2959
0.6	-	4265	3845	3422	3094	2581
0.7	4347	3899	3618	3100	2722	-
0.8	3964	3594	3266	2742	2512	-
0.9	3710	3233	2835	2470	-	-

Belt Tension

The belt tension is to be checked at the time of installation and after a “run in” period of about 24 hours. To perform the measurement, it is suggested that a “Belt Tension Gauge” (available from most belt manufacturers) be used. The force required to deflect the belt 7/32" (at the midpoint) should be 3.6 ± 0.3 pounds.


Regular Maintenance

The only item to be maintained on a regular basis by the user is the circulating air filter(s). Filter should be cleaned or replaced regularly.



WARNING

HIGH VOLTAGE!
Disconnect ALL power before servicing or installing this unit. Multiple power sources may be present. Failure to do so may cause property damage, personal injury or death.



Routine maintenance is essential for trouble free operation of this Airhandler. A few preseason checks can eliminate costly repairs and down time.

A certified service technician must perform all services mentioned below.

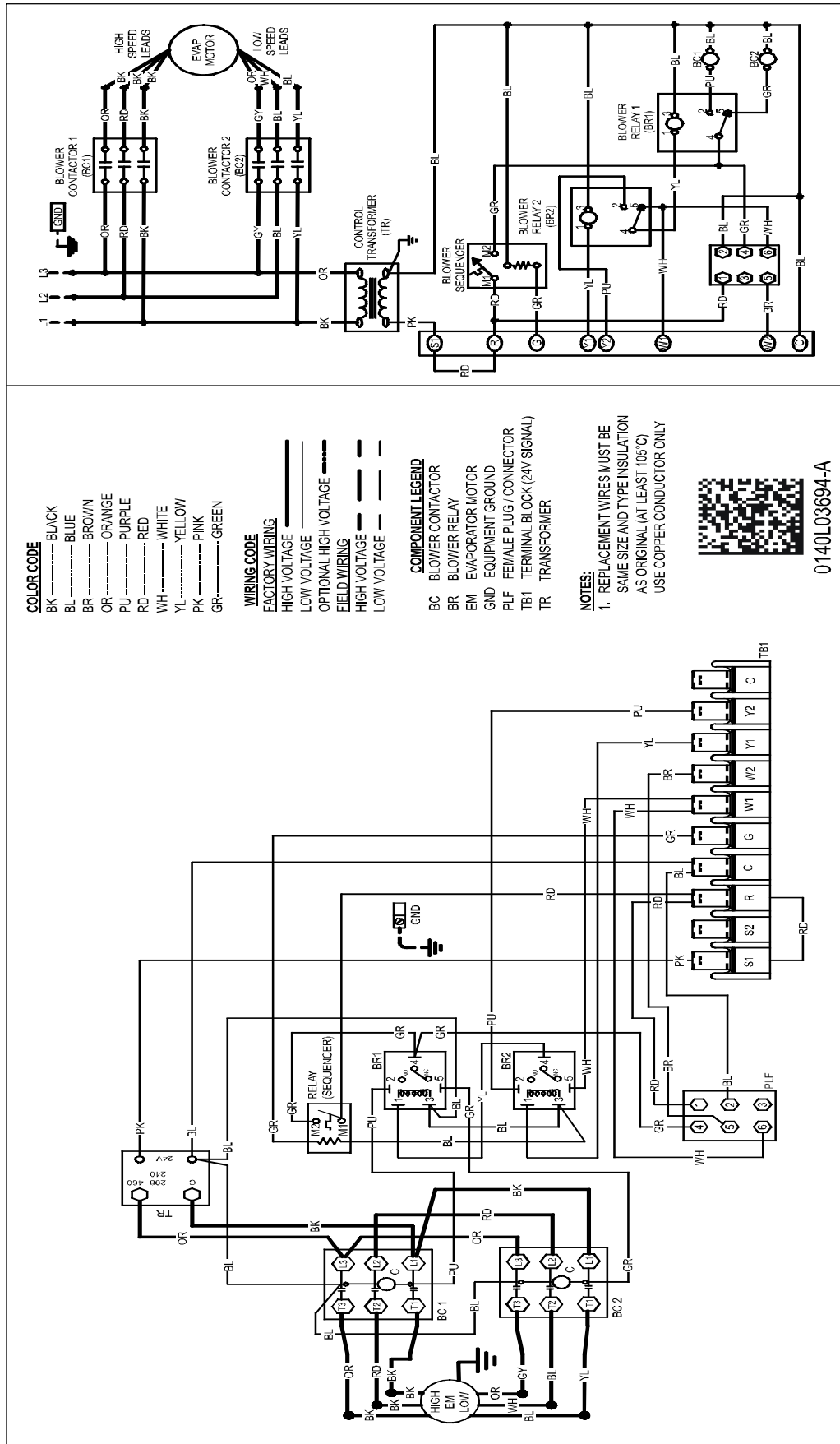
1. Check and change air filters as needed
2. Check, adjust or replace belts and check sheaves for proper operation.
3. Clean the evaporator coil and check for duct leaks.

Wiring Diagram



WARNING

HIGH VOLTAGE!
DISCONNECT ALL POWER BEFORE SERVICING OR INSTALLING THIS UNIT. MULTIPLE POWER SOURCES MAY BE PRESENT. FAILURE TO DO SO MAY CAUSE PROPERTY DAMAGE, PERSONAL INJURY OR DEATH.



COLOR CODE

BK	---	BLACK
BL	---	BLUE
BR	---	BROWN
OR	---	ORANGE
PU	---	PURPLE
RD	---	RED
WH	---	WHITE
YL	---	YELLOW
PK	---	PINK
GR	---	GREEN

WIRING CODE

---	FACTORY WIRING
---	HIGH VOLTAGE
---	LOW VOLTAGE
---	OPTIONAL HIGH VOLTAGE
---	FIELD WIRING
---	HIGH VOLTAGE
---	LOW VOLTAGE

COMPONENT LEGEND

BC	BLOWER CONTACTOR
BR	BLOWER RELAY
EM	EVAPORATOR MOTOR
GND	EQUIPMENT GROUND
PLF	FEMALE PLUG / CONNECTOR
TB1	TERMINAL BLOCK (24V SIGNAL)
TR	TRANSFORMER

NOTES:
1. REPLACEMENT WIRES MUST BE SAME SIZE AND TYPE INSULATION AS ORIGINAL (AT LEAST 105°C) USE COPPER CONDUCTOR ONLY



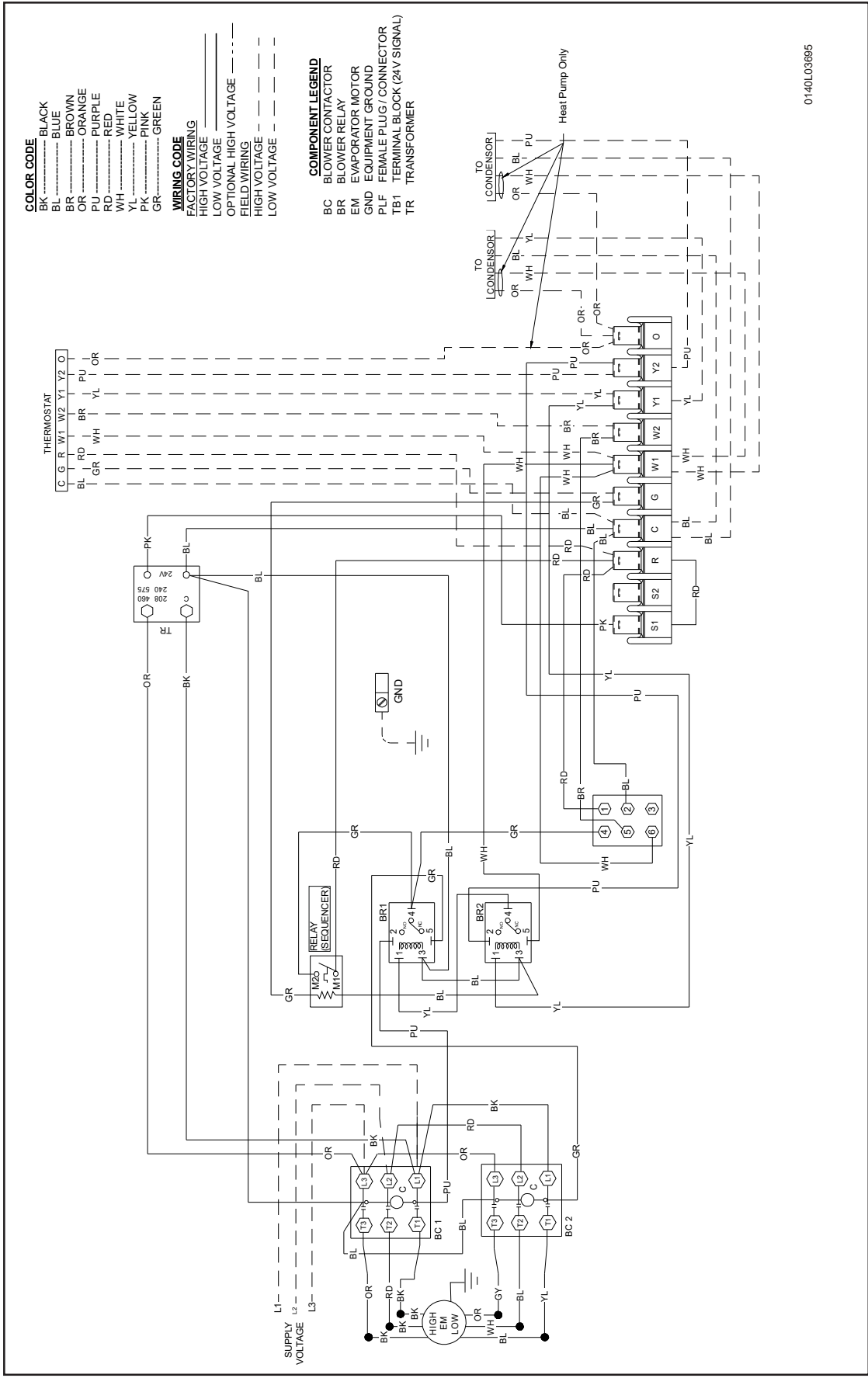
0140L03694-A

Wiring is subject to change. Always refer to the wiring diagram on the unit for the most up-to-date wiring.

Wiring Diagram

WARNING

HIGH VOLTAGE!
DISCONNECT ALL POWER BEFORE SERVICING OR INSTALLING THIS UNIT. MULTIPLE POWER SOURCES MAY BE PRESENT. FAILURE TO DO SO MAY CAUSE PROPERTY DAMAGE, PERSONAL INJURY OR DEATH.



0140L03695

Wiring is subject to change. Always refer to the wiring diagram on the unit for the most up-to-date wiring.

CUSTOMER FEEDBACK

Daikin is very interested in all product comments.

Please fill out the feedback form on the following link:

<https://daikincomfort.com/contact-us>

You can also scan the QR code on the right to be directed to the feedback page.



Our continuing commitment to quality products may mean a change in specifications without notice.

© 2013-2019 **DAIKIN MANUFACTURING COMPANY, L.P.**

5151 San Felipe St., Suite 500, Houston, TX 77056

www.daikinac.com