



*MULTI-POSITION, VARIABLE-SPEED,  
ECM-BASED AIR HANDLER  
WITH INTERNAL EEV  
COMMUNICATING  
FOR DAIKIN FIT MATCHUPS  
1½ TO 5 TONS*

■ **Contents**

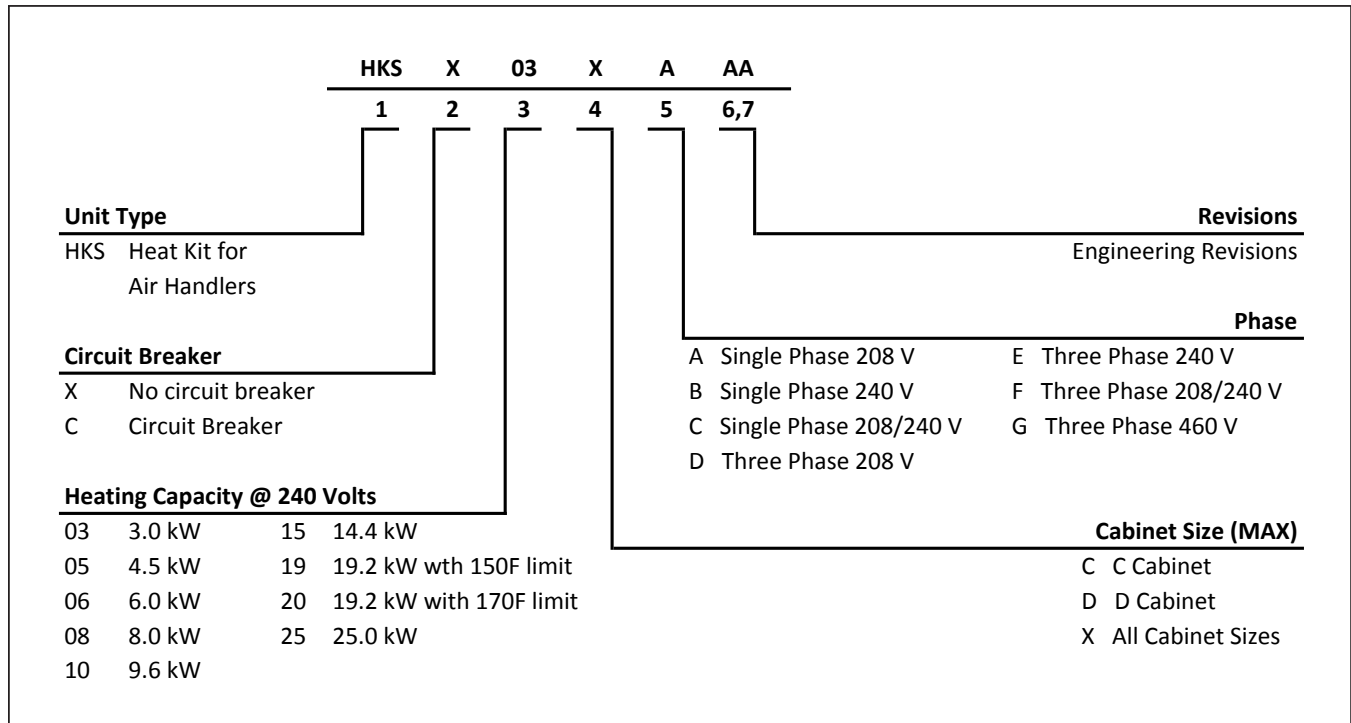
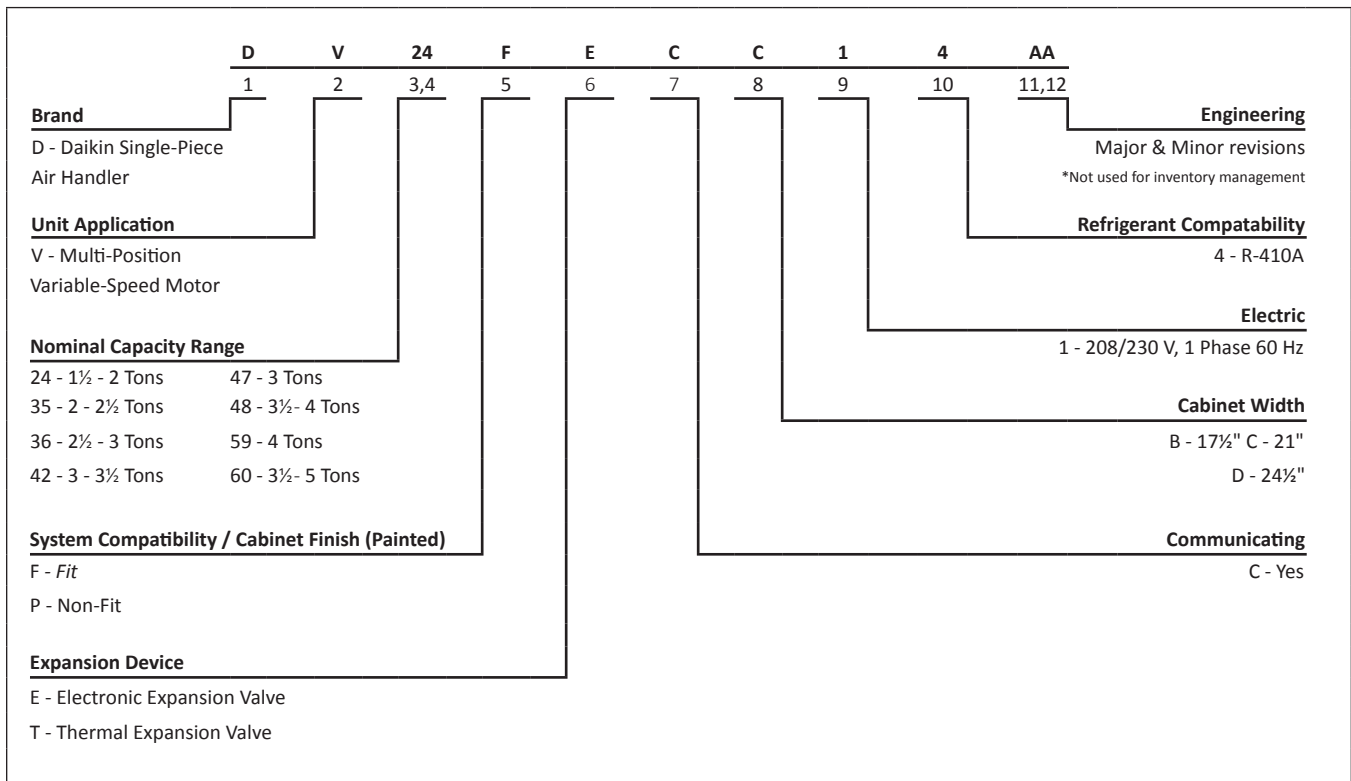
Nomenclature .....	2
Product Specifications .....	3
Dimensions .....	4
Air Flow .....	4
Heat Kit Data.....	5
Wiring Diagram .....	6
Accessories .....	7

■ **Product Features**

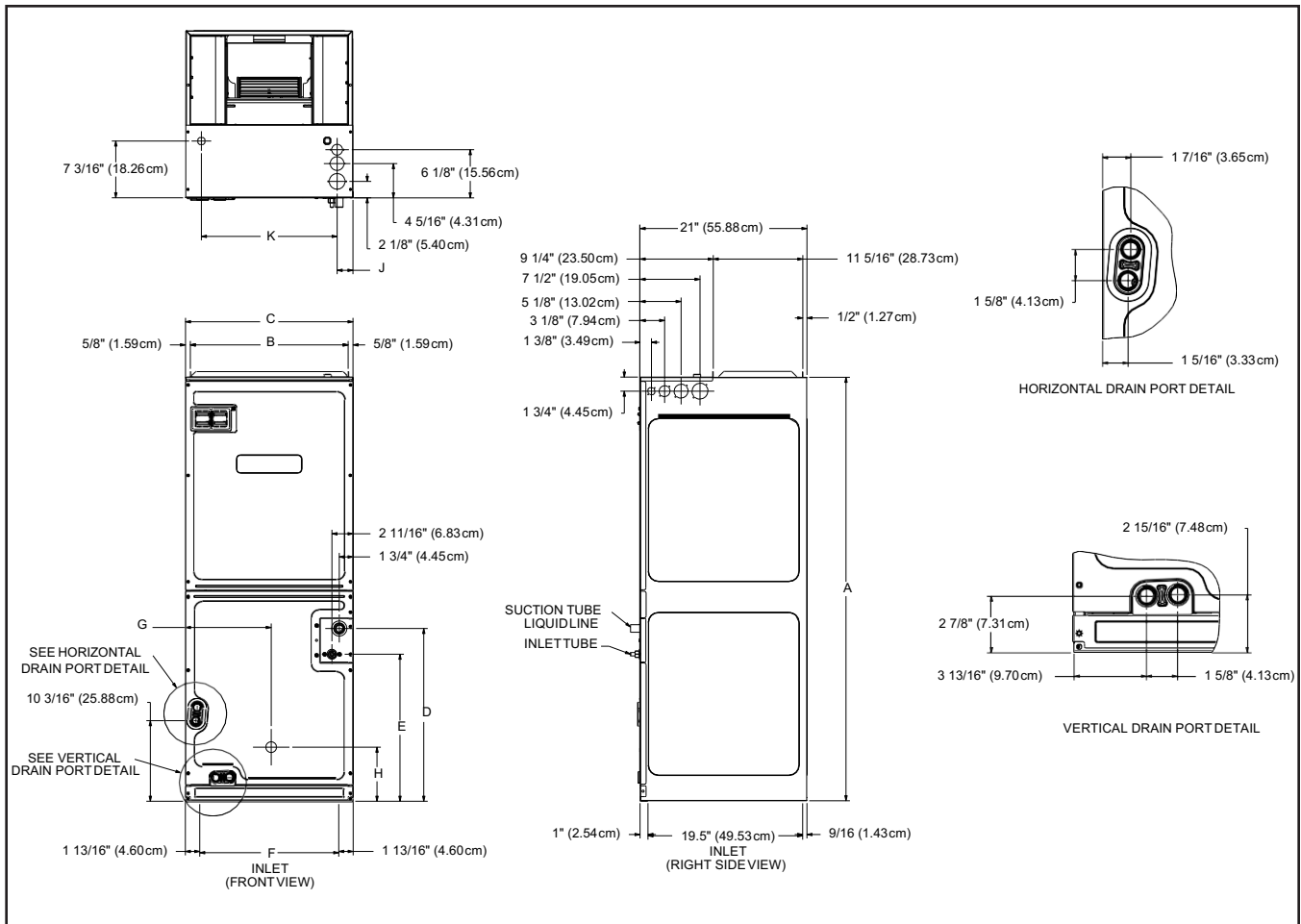
- Electronic Expansion Valve (EEV) for cooling and heat pump applications.
- 7mm evaporator coil tube size
- Variable-speed ECM blower motor
- Compatible with Daikin *One+* smart thermostat and other Daikin communicating equipment
- Provides constant CFM over a wide range of static pressure conditions independent of duct system
- CFM indicator
- Thermostat provides adjustable low CFM for efficient fan-only operation
- All-aluminum evaporator coil
- Fault recall of six most recent faults
- Improved humidity and comfort control
- AHRI certified; ETL listed
- Cabinet air leakage less than 2.0% at 1.0 inch H<sub>2</sub>O when tested in accordance with ASHRAE standard 193
- Cabinet air leakage less than 1.4% at 0.5 inch H<sub>2</sub>O when tested in accordance with ASHRAE standard 193
- 3 kW – 25 kW electric heater kits
- Horizontal or vertical configuration capabilities
- 21" depth for easier attic access
- DecaBDE-free thermoplastic drain pan with secondary drain connections
- Screw-less sides and back helps to reduce condensation when installed in humid locations
- Foil-faced insulation covers the internal casing to reduce cabinet condensation
- Galvanized, leather grain-embossed finish
- Glue-less cabinet insulation retention
- Tool-less filter access



\* Complete warranty details available from your local dealer or at [www.daikincomfort.com](http://www.daikincomfort.com). To receive the 12-Year Parts Limited Warranty, online registration must be completed within 60 days of installation. Additional requirements for annual maintenance are required for the Unit Replacement Limited Warranty. Online registration and some of the additional requirements are not required in California or Quebec.



MODEL	DV24FEC B14A*	DV36FEC C14A*	DV42FEC C14A*	DV48FEC D14A*	DV60FEC D14A*	DV35FEC C14A*	DV47FEC D14A*	DV59FEC D14A*
<b>NOMINAL TONS</b>	<b>2.0 Ton</b>	<b>3.0 Ton</b>	<b>3.5 Ton</b>	<b>4.0 Ton</b>	<b>5.0 Ton</b>	<b>2.0-2.5Ton</b>	<b>3.0Ton</b>	<b>4.0Ton</b>
<b>BLOWER</b>								
Diameter	9½"	10 ⅝"	10 ⅝"	12"	12"	10⅝"	12"	12"
Width	6"	10 ⅝"	10 ⅝"	10 ⅝"	10 ⅝"	10⅝"	10⅝"	10⅝"
<b>TUBING CONNECTION</b>								
Liquid - Refrigerant	⅜"	⅝"	⅝"	⅜"	⅜"	⅝"	⅝"	⅜"
Suction - Refrigerant	¾"	⅞"	⅞"	⅞"	⅞"	⅞"	⅞"	⅞"
Coil Drain Connection (NPT)	¾"	¾"	¾"	¾"	¾"	¾"	¾"	¾"
<b>ELECTRICAL DATA</b>								
Voltage - Phase	208/230-1	208/230-1	208/230-1	208/230-1	208/230-1	208/230-1	208/230-1	208/230-1
Min Circuit Ampacity	4.9/4.9	6.5/6.5	6.5/6.5	6.5/6.5	6.5/6.5	6.5/6.5	6.5/6.5	6.5/6.5
Max. Overcurrent Device (amps)	15/15	15/15	15/15	15/15	15/15	15/15	15/15	15/15
Minimum VAC	197	197	197	197	197	197	197	197
Maximum VAC	253	253	253	253	253	253	253	253
<b>Blower Motor</b>								
FLA	3.9	5.2	5.2	5.2	5.2	5.2	5.2	5.2
HP	½	¾	¾	¾	¾	¾	¾	¾
<b>SHIP WEIGHT (LBS.)</b>	115	140	140	150	167	140	150	167



MODEL	A	B	C	D	E	F	G	H
DV24FECEB14	45	16 $\frac{5}{8}$	17 $\frac{1}{2}$	15 $\frac{5}{8}$	12	14 $\frac{5}{8}$	9	12 $\frac{3}{4}$
DV35FECEB14 / DV36FECEB14	53 $\frac{7}{16}$	19 $\frac{5}{8}$	21	21 $\frac{13}{16}$	18 $\frac{5}{8}$	17 $\frac{11}{16}$	10 $\frac{13}{16}$	6 $\frac{13}{16}$
DV42FECEB14	53 $\frac{7}{16}$	19 $\frac{5}{8}$	21	21 $\frac{13}{16}$	18 $\frac{5}{8}$	17 $\frac{11}{16}$	10 $\frac{13}{16}$	6 $\frac{13}{16}$
DV47FECEB14 / DV48FECEB14	53 $\frac{7}{16}$	23 $\frac{5}{16}$	24 $\frac{1}{2}$	21 $\frac{1}{2}$	18 $\frac{5}{16}$	21 $\frac{3}{16}$	12 $\frac{5}{8}$	6 $\frac{1}{8}$
DV59FECEB14 / DV60FECEB14	58	23 $\frac{5}{16}$	24 $\frac{1}{2}$	26 $\frac{1}{8}$	22 $\frac{1}{8}$	21 $\frac{3}{16}$	12 $\frac{5}{16}$	13 $\frac{1}{4}$

**RATED INDOOR AIRFLOW RATE [SCFM]**

ID UNIT	OD UNIT	STATIC PRESSURE [WC]								
		0.1	0.2	0.3	0.4	0.5	0.6	0.7	0.8	0.9
DV24FECEB14	DX17VSS181 / DZ17VSA181	610	610	610	610	610	610	610	610	610
	DX17VSS241 / DZ17VSA241	800	800	800	800	800	800	800	800	800
DV35FECEB14	DZ17VSA301	1010	1010	1010	1010	1010	1010	1010	1010	1010
	DZ17VSA361	1260	1260	1260	1260	1260	1260	1260	1260	1260
DV36FECEB14	DX17VSS301 / DZ17VSA301	1010	1010	1010	1010	1010	1010	1010	1010	1010
	DX17VSS361 / DZ17VSA361	1260	1260	1260	1260	1260	1260	1260	1260	1260
DV42FECEB14	DX17VSS361 / DZ17VSA361	1260	1260	1260	1260	1260	1260	1260	1260	1260
	DX17VSS421 / DZ17VSA421	1320	1320	1320	1320	1320	1320	1320	1320	1320
DV47FECEB14	DZ17VSA421	1320	1320	1320	1320	1320	1320	1320	1320	1320
DV48FECEB14	DX17VSS421 / DZ17VSA421	1320	1320	1320	1320	1320	1320	1320	1320	1320
	DX17VSS481 / DZ17VSA481	1380	1380	1380	1380	1380	1380	1380	1380	1380
DV59FECEB14	DZ17VSA601	1640	1640	1640	1640	1640	1640	1640	1640	1640
DV60FECEB14	DX17VSS421 / DZ17VSA421	1320	1320	1320	1320	1320	1320	1320	1320	1320
	DX17VSS481 / DZ17VSA481	1380	1380	1380	1380	1380	1380	1380	1380	1380
	DX17VSS601 / DZ17VSA601	1640	1640	1640	1640	1640	1640	1640	1640	1640

\*The chart is for information only. For satisfactory operation, external static pressure must not exceed 0.5 wc.

\*Unit may provide different SCFM during electrical heater operation. See IO manual for the airflow rate.

MODELS	CIRCUIT 1			CIRCUIT 2			SINGLE-POINT KIT	
	HEATER AMPS	MCA <sup>1</sup>	MOP <sup>2</sup>	HEATER AMPS	MCA <sup>1</sup>	MOP <sup>2</sup>	MCA <sup>1</sup>	MOP <sup>2</sup>
<b>DV24FECB14</b>	0.0/0.0	4.9/4.9	15/15	---	---	---	---	---
HKS*03XC** (208V/240V)	10.8/12.5	18/21	20/25	---	---	---	---	---
HKS*05XC** (208V/240V)	17.3/20	27/29.9	30/30	---	---	---	---	---
HKS*06XC** (208V/240V)	21.7/25	32/36	35/40	---	---	---	---	---
HKS*08XC** (208V/240V)	28.9/33.3	41/47	45/50	---	---	---	---	---
HKS*10XC** (208V/240V)	34.7/40	48/55	50/60	---	---	---	---	---
<b>DV35FECC14 / DV36FECC14</b>	0.0/0.0	6.5/6.5	15/15	---	---	---	---	---
HKS*05XC** (208V/240V)	17.3/20	28/32	30/35	---	---	---	---	---
HKS*06XC** (208V/240V)	21.7/25	34/38	35/40	---	---	---	---	---
HKS*08XC** (208V/240V)	28.9/33.3	43/48	45/50	---	---	---	---	---
HKS*10XC** (208V/240V)	34.7/40	50/57	50/60	---	---	---	---	---
HKS*15XF** (208V/240V) <sup>^</sup>	0.0/0.0	6.5/6.5	15/15	30/34.6	38/43	40/45	---	---
HKSC15XA** (208V)	34.7	49.8	50	17.3	21.7	25	71.5	80
HKSC15XB** (240V)	40	56.5	60	20	25	25	81.5	90
HKSC19CA** (208V)	34.7	49.8	50	34.7	43.3	45	93.2	100
HKSC19CB** (240V)	40	56.5	60	40	50	50	107	110
<b>DV42FECC14</b>	0.0/0.0	6.5/6.5	15/15	---	---	---	---	---
HKS*05XC** (208V/240V)	17.3/20	28/32	30/35	---	---	---	---	---
HKS*06XC** (208V/240V)	21.7/25	34/38	35/40	---	---	---	---	---
HKS*08XC** (208V/240V)	28.9/33.3	43/48	45/50	---	---	---	---	---
HKS*10XC** (208V/240V)	34.7/40	50/57	50/60	---	---	---	---	---
HKS*15XF** (208V/240V) <sup>^</sup>	0.0/0.0	6.5/6.5	15/15	30/34.6	38/43	40/45	---	---
HKSC15XB** (240V)	40	56.5	60	20	25	25	81.5	90
HKSC19CA** (208V)	34.7	49.8	50	34.7	43.3	45	93.2	100
HKSC19CB** (240V)	40	56.5	60	40	50	50	107	110
<b>DV47FECD14 / DV48FECD14</b>	0.0/0.0	6.5/6.5	15/15	---	---	---	---	---
HKS*05XC** (208V/240V)	17.3/20	28/32	30/35	---	---	---	---	---
HKS*06XC** (208V/240V)	21.7/25	34/38	35/40	---	---	---	---	---
HKS*08XC** (208V/240V)	28.9/33.3	43/48	45/50	---	---	---	---	---
HKS*10XC** (208V/240V)	34.7/40	50/57	50/60	---	---	---	---	---
HKS*15XF** (208V/240V) <sup>^</sup>	0.0/0.0	6.5/6.5	15/15	30/34.6	38/43	40/45	---	---
HKSC15XB** (208V <sup>3</sup> /240V)	34.7/40	49.8/56.5	50/60	17.3/20	21.7/25	25/25	71.5/81.5	80/90
HKSC20DH** (208V)	34.7	49.8	50	34.7	43.3	45	93.2	100
HKSC20DB** (240V)	40	56.5	60	40	50	50	107	110
HKS*20XF** (208V/240V) <sup>^</sup>	0.0/0.0	6.5/6.5	15/15	37.5/43.3	47/54	50/60	---	---
<b>DV59FECD14 / DV60FECD14</b>	0.0/0.0	6.5/6.5	15/15	---	---	---	---	---
HKS*05XC** (208V/240V)	17.3/20	28/31.5	30/35	---	---	---	---	---
HKS*06XC** (208V/240V)	21.7/25	34/37.8	35/40	---	---	---	---	---
HKS*08XC** (208V/240V)	28.9/33.3	43/48.2	45/50	---	---	---	---	---
HKS*10XC** (208V/240V)	34.7/40	49.8/57	50/60	---	---	---	---	---
HKSC15XB** (208V <sup>3</sup> /240V)	34.7/40	49.8/56.5	50/60	17.3/20	21.7/25	25/25	71.5/81.5	80/90
HKSC20DH** (208V)	34.7	49.8	50	34.7	43.3	45	93.2	100
HKSC20DB** (240V)	40	56.5	60	40	50	50	107	110
HKSC25DA** (208V)	52	71.5	80	35	43.3	45	115	125
HKSC25DB** (240V)	60	81.5	90	40	50	50	132	150

<sup>1</sup> Minimum Circuit Ampacity (Heater Amps + Motor Amps) X 1.25

<sup>2</sup> Maximum Overcurrent Protection = 2.25 X Motor Amps + Heater Amps

<sup>3</sup> Notation is correct as XB because technically the 240V heater kit application can be used here without any issues.

\* HKSC - Circuit breaker, HKSX - No Circuit breaker

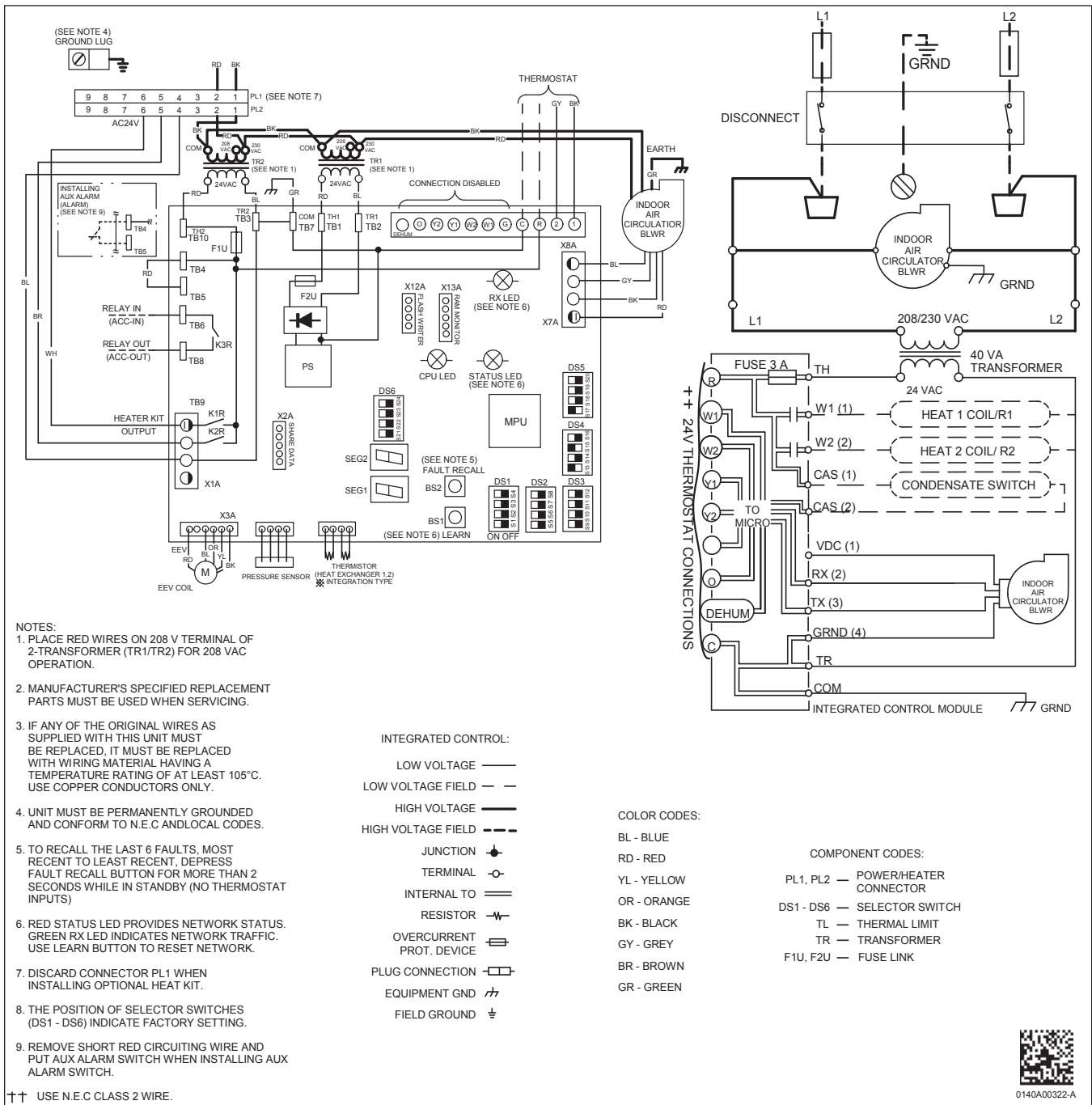
\*\* Revision level that may or may not be designated

<sup>^</sup> Three-phase Heater Kits (Circuit 1: Single-phase for Air Handlers Circuit 2: Three-phase for Heater Kits)

--- indicates Not Required

Note: numbers above designated with two sets of numbers represents incoming voltage of 208 / 240. Example 18/21 is amperage rating at either 208 / 240 V.

# WIRING DIAGRAM



Wiring is subject to change. Always refer to the wiring diagram on the unit for the most up-to-date wiring.

	<b>WARNING</b>	<p><b>High Voltage:</b> Disconnect all power before servicing or installing this unit. Multiple power sources may be present. Failure to do so may cause property damage, personal injury, or death.</p>	
--	----------------	--	--

**DOWNFLOW KIT**

DFKE-02
DV24FECCB14**
DV35FECC14**
DV36FECC14**
DV42FECC14**
DV47FECD14**
DV48FECD14**
DV59FECD14**
DV60FECD14**

**CONDENSATE MANAGEMENT KITS\***

CMK0015	CMK0016	CMK0017
DV24FECCB14**	DV35FECC14**	DV59FECD14**
	DV36FECC14**	DV60FECD14**
	DV42FECC14**	
	DV47FECD14**	
	DV48FECD14**	

\*For Horizontal application only.

**HIGH HUMIDITY KITS**

HHK0001	HHK0002	HHK0003
DV24FECCB14**	DV35FECC14**	DV47FECD14**
	DV36FECC14**	DV48FECD14**
	DV42FECC14**	DV59FECD14**
		DV60FECD14**

**MERV 15 AIR CLEANERS**

CHASSIS	DAIKIN PREMIUM AIR CLEANER	FILTER SIZE	REPLACEMENT FILTER PART #
B	DV15-2117-AB	21"x17"	0160M00013
C	DV15-2121-AC	21"x21"	0160M00014
D	DV15-2124-AD	21"x24"	0160M00015

**PERMANENT 1" FILTERS**

CHASSIS	PART#	SIZE
B	ALFH16201E	16.0" x 20.0"
C	ALFH1912201E	19.5" x 20.0"
D	ALFH20231E	23.0" x 20.0"

**SINGLE POINT KIT \*\***

MODEL	HKR-15C	HKR-20C	HKR-21C
SPW-01			

\*\* Must be installed along with any of the above compatible heat kits. This kit will fit any DVPTC air handler as long as a compatible heat kit is installed in the unit.

**15" SINGLE LAMP UV COIL PURIFIER**

MODEL	LAMP	POWER MOD	REM CORD
UC18S15-24	UCP-16013	UCP-16015	UCP-16016
UC18S15-24B	UCP-16012	UCP-16014	UCP-16016

**DRAIN PORT PLUG**

Kit Number	Description	Application
DPK1	Side Drain Port Plug	All Models

