

# Engineering Data

## Floor Standing Type

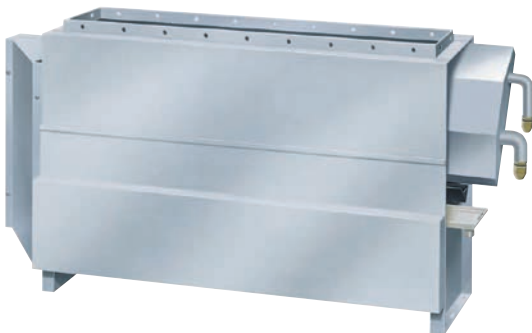
FXLQ-MVJU

## Concealed Floor Standing Type

FXNQ-MVJU

60 Hz

**R-410A**





# Table of Contents

1. Features and Benefits .....	2
1.1 FXLQ.....	2
1.2 FXNQ .....	3
2. Specifications .....	4
2.1 FXLQ.....	4
2.2 FXNQ .....	7
3. Dimensions.....	10
3.1 FXLQ.....	10
3.2 FXNQ .....	13
4. Center of Gravity .....	16
4.1 FXLQ.....	16
4.2 FXNQ .....	16
5. Piping Diagrams .....	17
6. Wiring Diagrams .....	18
7. Electric Characteristics .....	20
8. Safety Devices Setting .....	21
9. Capacity Tables.....	22
9.1 Cooling Capacity at Te: 43°F (6°C).....	22
9.2 Heating Capacity.....	22
9.3 Correction Factor for Cooling Capacity at Te: 48°F (9°C).....	23
10. Sound Levels (Reference Data) .....	24
10.1 FXLQ.....	24
10.2 FXNQ .....	28
11. Accessories .....	32
11.1 Optional Accessories (for Unit) .....	32

# 1. Features and Benefits

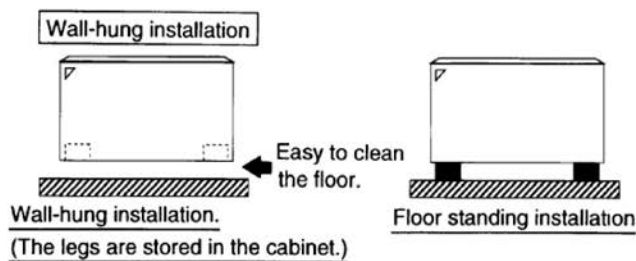
## 1.1 FXLQ

The floor standing unit can be installed quickly and easily in new or existing facilities in a variety of applications. Its compact design makes it suitable for perimeter zone air conditioning.

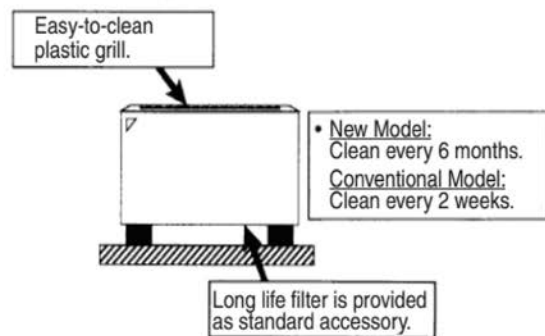


**FXLQ\_MVJU - Floor Standing**

- Models range from 0.6 to 2 Ton
- Stylish modern casing finished in ivory white
- Ideal for installation beneath a window thanks to its low height
- One of our slimmest indoor units (less than 9") fits any interior design
- Requires minimal installation space
- Space-saving unit can be freestanding or wall-mounted
- Fitted with washable long-life filter
- Wide air discharge outlet distributes a comfortable airflow throughout the entire space
- Wall mounted installation facilitates cleaning beneath the unit where dust tends to accumulate



• If the legs are stored and the piping is connected from behind, it enables you to clean up the floor.



## 1.2 FXNQ

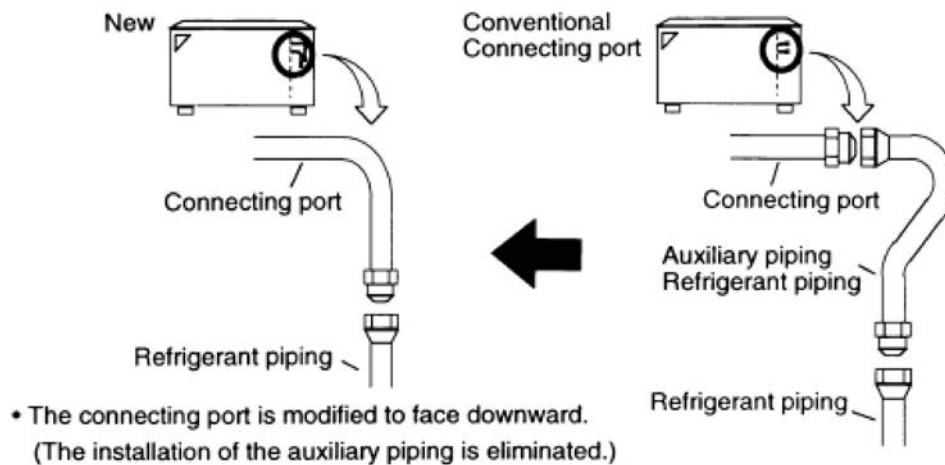
The concealed floor units cover a wide range of capacities and can be built into counter in order to maintain the aesthetics of the room.



FXNQ\_MVJU - Concealed Floor Standing



- Models range from 0.6 to 2 Ton
- Ideal for installation beneath a window thanks to its low height
- One of our slimmest indoor units (less than 9") fits any interior design - only the suction and discharge grilles are visible
- Requires minimal installation space
- Fitted with washable long-life filter
- The connecting port faces downward, eliminating the need to attach auxiliary piping



## 2. Specifications

### 2.1 FXLQ

#### Floor standing type

Model		FXLQ07MVJU	FXLQ09MVJU
Power supply		1 phase, 60 Hz, 208/230 V	1 phase, 60 Hz, 208/230 V
★1, ★3 Cooling capacity	Btu/h (kW)	7,500 (2.2)	9,500 (2.8)
★2, ★3 Heating capacity	Btu/h (kW)	8,500 (2.5)	10,500 (3.1)
Casing/Color		Ivory white (5Y7.5/1)	Ivory white (5Y7.5/1)
Dimensions: (H × W × D)		in. (mm)	23-5/8 × 39-3/8 × 8-3/4 (600 × 1,000 × 222)
Coil (cross fin coil)	Rows × Stages × FPI	3 × 14 × 17	3 × 14 × 17
	Face area	ft <sup>2</sup> (m <sup>2</sup> )	1.71 (0.159)
Fan	Model		D14B20
	Type		Sirocco fan
	Motor output	W	15
	Airflow rate (H/L)	cfm (m <sup>3</sup> /min)	245/210 (7/6)
	Drive		Direct drive
Temperature control		Microprocessor thermostat for cooling and heating	Microprocessor thermostat for cooling and heating
Sound absorbing thermal insulation material		Glass fiber/urethane foam	Glass fiber/urethane foam
Air filter		Resin net (with mold resistant)	Resin net (with mold resistant)
★4 Sound pressure level (reference data) (H/L)	dBA	35/32	35/32
Weight	lbs (kg)	58 (26)	58 (26)
Piping connections	Liquid pipes	in. (mm)	φ1/4 (φ6.4) (flare connection)
	Gas pipes	in. (mm)	φ1/2 (φ12.7) (flare connection)
	Drain pipe	in. (mm)	φ27/32 (φ21) O.D (vinyl chloride)
Safety devices		Fuse, Thermal protector for fan motor	Fuse, Thermal protector for fan motor
Refrigerant control		Electronic expansion valve	Electronic expansion valve
Connectable outdoor unit		R410A <b>VRV</b> series	R410A <b>VRV</b> series
Standard accessories		Operation manual, Installation manual, Insulation for fitting, Drain hose, Clamps, Screws, Washers, Level adjustment screw	Operation manual, Installation manual, Insulation for fitting, Drain hose, Clamps, Screws, Washers, Level adjustment screw

#### Note:

- ★1. Nominal cooling capacities are based on the following conditions:  
Return air temperature: 80°FDB (26.7°CDB), 67°FWB (19.4°CWB)  
Outdoor temperature: 95°FDB (35.0°CDB)  
Equivalent refrigerant piping length: 25 ft (7.6 m) (horizontal)
- ★2. Nominal heating capacities are based on the following conditions:  
Return air temperature: 70°FDB (21.1°CDB).  
Outdoor temperature: 47°FDB (8.3°CDB), 43°FWB (6.1°CWB)  
Equivalent refrigerant piping length: 25 ft (7.6 m) (horizontal)
- ★3. Capacities are net, including a deduction for cooling (an addition for heating) for indoor fan motor heat.
- ★4. Anechoic chamber conversion value, measured under JIS conditions. During actual operation, these values may be higher as a result of installation conditions.

C: 3D045640A

## Floor standing type

Model		FXLQ12MVJU		FXLQ18MVJU	
Power supply		1 phase, 60 Hz, 208/230 V		1 phase, 60 Hz, 208/230 V	
★1, ★3 Cooling capacity	Btu/h (kW)	12,000 (3.5)		18,000 (5.3)	
★2, ★3 Heating capacity	Btu/h (kW)	13,500 (4.0)		20,000 (5.9)	
Casing/Color		Ivory white (5Y7.5/1)		Ivory white (5Y7.5/1)	
Dimensions: (H × W × D)		in. (mm)	23-5/8 × 44-7/8 × 8-3/4 (600 × 1,140 × 222)	23-5/8 × 55-7/8 × 8-3/4 (600 × 1,420 × 222)	
Coil (cross fin coil)	Rows × Stages × FPI	3 × 14 × 17		3 × 14 × 17	
	Face area	ft <sup>2</sup> (m <sup>2</sup> )	2.15 (0.200)	3.04 (0.282)	
Fan	Model		2D14B13	2D14B20	
	Type		Sirocco fan	Sirocco fan	
	Motor output	W	25	35	
	Airflow rate (H/L)	cfm (m <sup>3</sup> /min)	280/210 (8/6)	490/380 (14/11)	
	Drive		Direct drive	Direct drive	
Temperature control		Microprocessor thermostat for cooling and heating		Microprocessor thermostat for cooling and heating	
Sound absorbing thermal insulation material		Glass fiber/urethane foam		Glass fiber/urethane foam	
Air filter		Resin net (with mold resistant)		Resin net (with mold resistant)	
★4 Sound pressure level (reference data) (H/L)	dBA	36/33		40/35	
Weight	lbs (kg)	66 (30)		80 (36)	
Piping connections	Liquid pipes	in. (mm)	φ1/4 (φ6.4) (flare connection)	φ1/4 (φ6.4) (flare connection)	
	Gas pipes	in. (mm)	φ1/2 (φ12.7) (flare connection)	φ1/2 (φ12.7) (flare connection)	
	Drain pipe	in. (mm)	φ27/32 (φ21) O.D (vinyl chloride)	φ27/32 (φ21) O.D (vinyl chloride)	
Safety devices		Fuse, Thermal protector for fan motor		Fuse, Thermal protector for fan motor	
Refrigerant control		Electronic expansion valve		Electronic expansion valve	
Connectable outdoor unit		R410A <b>VRV</b> series		R410A <b>VRV</b> series	
Standard accessories		Operation manual, Installation manual, Insulation for fitting, Drain hose, Clamps, Screws, Washers, Level adjustment screw		Operation manual, Installation manual, Insulation for fitting, Drain hose, Clamps, Screws, Washers, Level adjustment screw	

### Note:

- ★1. Nominal cooling capacities are based on the following conditions:  
Return air temperature: 80°FDB (26.7°CDB), 67°FWB (19.4°CWB)  
Outdoor temperature: 95°FDB (35.0°CDB)  
Equivalent refrigerant piping length: 25 ft (7.6 m) (horizontal)
- ★2. Nominal heating capacities are based on the following conditions:  
Return air temperature: 70°FDB (21.1°CDB).  
Outdoor temperature: 47°FDB (8.3°CDB), 43°FWB (6.1°CWB)  
Equivalent refrigerant piping length: 25 ft (7.6 m) (horizontal)
- ★3. Capacities are net, including a deduction for cooling (an addition for heating) for indoor fan motor heat.
- ★4. Anechoic chamber conversion value, measured under JIS conditions. During actual operation, these values may be higher as a result of installation conditions.

C: 3D045640A

### Floor standing type

Model		FXLQ24MVJU	
Power supply		1 phase, 60 Hz, 208/230 V	
★1, ★3 Cooling capacity	Btu/h (kW)	24,000 (7.0)	
★2, ★3 Heating capacity	Btu/h (kW)	27,000 (7.9)	
Casing/Color		Ivory white (5Y7.5/1)	
Dimensions: (H × W × D)		in. (mm)	23-5/8 × 55-7/8 × 8-3/4 (600 × 1,420 × 222)
Coil (cross fin coil)	Rows × Stages × FPI	3 × 14 × 17	
	Face area	ft <sup>2</sup> (m <sup>2</sup> )	3.04 (0.282)
Fan	Model		2D14B20
	Type		Sirocco fan
	Motor output	W	35
	Airflow rate (H/L)	cfm (m <sup>3</sup> /min)	560/420 (16/12)
	Drive		Direct drive
Temperature control		Microprocessor thermostat for cooling and heating	
Sound absorbing thermal insulation material		Glass fiber/urethane foam	
Air filter		Resin net (with mold resistant)	
★4 Sound pressure level (reference data) (H/L)	dBA	41/36	
Weight		lbs (kg)	80 (36)
Piping connections	Liquid pipes	in. (mm)	φ3/8 (φ9.5) (flare connection)
	Gas pipes	in. (mm)	φ5/8 (φ15.9) (flare connection)
	Drain pipe	in. (mm)	φ27/32 (φ21) O.D (vinyl chloride)
Safety devices		Fuse, Thermal protector for fan motor	
Refrigerant control		Electronic expansion valve	
Connectable outdoor unit		R410A <b>VRV</b> series	
Standard accessories		Operation manual, Installation manual, Insulation for fitting, Drain hose, Clamps, Screws, Washers, Level adjustment screw	

**Note:**

- ★1. Nominal cooling capacities are based on the following conditions:  
 Return air temperature: 80°FDB (26.7°CDB), 67°FWB (19.4°CWB)  
 Outdoor temperature: 95°FDB (35.0°CDB)  
 Equivalent refrigerant piping length: 25 ft (7.6 m) (horizontal)
- ★2. Nominal heating capacities are based on the following conditions:  
 Return air temperature: 70°FDB (21.1°CDB).  
 Outdoor temperature: 47°FDB (8.3°CDB), 43°FWB (6.1°CWB)  
 Equivalent refrigerant piping length: 25 ft (7.6 m) (horizontal)
- ★3. Capacities are net, including a deduction for cooling (an addition for heating) for indoor fan motor heat.
- ★4. Anechoic chamber conversion value, measured under JIS conditions. During actual operation, these values may be higher as a result of installation conditions.

C: 3D045640A



## 2.2 FXNQ

### Concealed floor standing type

Model			FXNQ07MVJU	FXNQ09MVJU
Power supply			1 phase, 60 Hz, 208/230 V	1 phase, 60 Hz, 208/230 V
★1, ★3 Cooling capacity	Btu/h (kW)		7,500 (2.2)	9,500 (2.8)
★2, ★3 Heating capacity	Btu/h (kW)		8,500 (2.5)	10,500 (3.1)
Casing/Color			Galvanized steel plate	Galvanized steel plate
Dimensions: (H × W × D)		in. (mm)	24 × 36-5/8 × 8-5/8 (610 × 930 × 220)	24 × 36-5/8 × 8-5/8 (610 × 930 × 220)
Coil (cross fin coil)	Rows × Stages × FPI		3 × 14 × 17	3 × 14 × 17
	Face area	ft <sup>2</sup> (m <sup>2</sup> )	1.71 (0.159)	1.71 (0.159)
Fan	Model		D14B20	D14B20
	Type		Sirocco fan	Sirocco fan
	Motor output	W	15	15
	Airflow rate (H/L)	cfm (m <sup>3</sup> /min)	245/210 (7/6)	245/210 (7/6)
	Drive		Direct drive	Direct drive
Temperature control			Microprocessor thermostat for cooling and heating	Microprocessor thermostat for cooling and heating
Sound absorbing thermal insulation material			Glass fiber/urethane foam	Glass fiber/urethane foam
Air filter			Resin net (with mold resistant)	Resin net (with mold resistant)
★4 Sound pressure level (reference data) (H/L)	dBA		35/32	35/32
Weight		lbs (kg)	47 (21)	47 (21)
Piping connections	Liquid pipes	in. (mm)	φ1/4 (φ6.4) (flare connection)	φ1/4 (φ6.4) (flare connection)
	Gas pipes	in. (mm)	φ1/2 (φ12.7) (flare connection)	φ1/2 (φ12.7) (flare connection)
	Drain pipe	in. (mm)	φ27/32 (φ21) O.D (vinyl chloride)	φ27/32 (φ21) O.D (vinyl chloride)
Safety devices			Fuse, Thermal protector for fan motor	Fuse, Thermal protector for fan motor
Refrigerant control			Electronic expansion valve	Electronic expansion valve
Connectable outdoor unit			R410A <b>VRV</b> series	R410A <b>VRV</b> series
Standard accessories			Operation manual, Installation manual, Insulation for fitting, Drain hose, Clamps, Screws, Washers, Level adjustment screw	Operation manual, Installation manual, Insulation for fitting, Drain hose, Clamps, Screws, Washers, Level adjustment screw

#### Note:

- ★1. Nominal cooling capacities are based on the following conditions:  
Return air temperature: 80°FDB (26.7°CDB), 67°FWB (19.4°CWB)  
Outdoor temperature: 95°FDB (35.0°CDB)  
Equivalent refrigerant piping length: 25 ft (7.6 m) (horizontal)
- ★2. Nominal heating capacities are based on the following conditions:  
Return air temperature: 70°FDB (21.1°CDB).  
Outdoor temperature: 47°FDB (8.3°CDB), 43°FWB (6.1°CWB)  
Equivalent refrigerant piping length: 25 ft (7.6 m) (horizontal)
- ★3. Capacities are net, including a deduction for cooling (an addition for heating) for indoor fan motor heat.
- ★4. Anechoic chamber conversion value, measured under JIS conditions. During actual operation, these values may be higher as a result of installation conditions.

C: 3D045648A

## Concealed floor standing type

Model		FXNQ12MVJU	FXNQ18MVJU
Power supply		1 phase, 60 Hz, 208/230 V	1 phase, 60 Hz, 208/230 V
★1, ★3 Cooling capacity	Btu/h (kW)	12,000 (3.5)	18,000 (5.3)
★2, ★3 Heating capacity	Btu/h (kW)	13,500 (4.0)	20,000 (5.9)
Casing/Color		Galvanized steel plate	Galvanized steel plate
Dimensions: (H × W × D)		in. (mm)	24 × 42-1/8 × 8-5/8 (610 × 1,070 × 220)
Coil (cross fin coil)	Rows × Stages × FPI	3 × 14 × 17	3 × 14 × 17
	Face area	ft <sup>2</sup> (m <sup>2</sup> )	2.15 (0.200)
Fan	Model	2D14B13	2D14B20
	Type	Sirocco fan	Sirocco fan
	Motor output	W	25
	Airflow rate (H/L)	cfm (m <sup>3</sup> /min)	280/210 (8/6)
	Drive	Direct drive	Direct drive
Temperature control		Microprocessor thermostat for cooling and heating	Microprocessor thermostat for cooling and heating
Sound absorbing thermal insulation material		Glass fiber/urethane foam	Glass fiber/urethane foam
Air filter		Resin net (with mold resistant)	Resin net (with mold resistant)
★4 Sound pressure level (reference data) (H/L)	dBA	36/33	40/35
Weight	lbs (kg)	56 (25)	69 (31)
Piping connections	Liquid pipes	in. (mm)	φ1/4 (φ6.4) (flare connection)
	Gas pipes	in. (mm)	φ1/2 (φ12.7) (flare connection)
	Drain pipe	in. (mm)	φ27/32 (φ21) O.D (vinyl chloride)
Safety devices		Fuse, Thermal protector for fan motor	Fuse, Thermal protector for fan motor
Refrigerant control		Electronic expansion valve	Electronic expansion valve
Connectable outdoor unit		R410A <b>VRV</b> series	R410A <b>VRV</b> series
Standard accessories		Operation manual, Installation manual, Insulation for fitting, Drain hose, Clamps, Screws, Washers, Level adjustment screw	Operation manual, Installation manual, Insulation for fitting, Drain hose, Clamps, Screws, Washers, Level adjustment screw

### Note:

- ★1. Nominal cooling capacities are based on the following conditions:  
Return air temperature: 80°FDB (26.7°CDB), 67°FWB (19.4°CWB)  
Outdoor temperature: 95°FDB (35.0°CDB)  
Equivalent refrigerant piping length: 25 ft (7.6 m) (horizontal)
- ★2. Nominal heating capacities are based on the following conditions:  
Return air temperature: 70°FDB (21.1°CDB).  
Outdoor temperature: 47°FDB (8.3°CDB), 43°FWB (6.1°CWB)  
Equivalent refrigerant piping length: 25 ft (7.6 m) (horizontal)
- ★3. Capacities are net, including a deduction for cooling (an addition for heating) for indoor fan motor heat.
- ★4. Anechoic chamber conversion value, measured under JIS conditions. During actual operation, these values may be higher as a result of installation conditions.

C: 3D045648A

### Concealed floor standing type

Model		FXNQ24MVJU	
Power supply		1 phase, 60 Hz, 208/230 V	
★1, ★3 Cooling capacity	Btu/h (kW)	24,000 (7.0)	
★2, ★3 Heating capacity	Btu/h (kW)	27,000 (7.9)	
Casing/Color		Galvanized steel plate	
Dimensions: (H × W × D)		in. (mm)	24 × 53-1/8 × 8-5/8 (610 × 1,350 × 220)
Coil (cross fin coil)	Rows × Stages × FPI	3 × 14 × 17	
	Face area	ft <sup>2</sup> (m <sup>2</sup> )	3.04 (0.282)
Fan	Model		2D14B20
	Type		Sirocco fan
	Motor output	W	35
	Airflow rate (H/L)	cfm (m <sup>3</sup> /min)	560/420 (16/12)
	Drive		Direct drive
Temperature control		Microprocessor thermostat for cooling and heating	
Sound absorbing thermal insulation material		Glass fiber/urethane foam	
Air filter		Resin net (with mold resistant)	
★4 Sound pressure level (reference data) (H/L)	dBA	41/36	
Weight		lbs (kg)	69 (31)
Piping connections	Liquid pipes	in. (mm)	φ3/8 (φ9.5) (flare connection)
	Gas pipes	in. (mm)	φ5/8 (φ15.9) (flare connection)
	Drain pipe	in. (mm)	φ27/32 (φ21) O.D (vinyl chloride)
Safety devices		Fuse, Thermal protector for fan motor	
Refrigerant control		Electronic expansion valve	
Connectable outdoor unit		R410A <b>VRV</b> series	
Standard accessories		Operation manual, Installation manual, Insulation for fitting, Drain hose, Clamps, Screws, Washers, Level adjustment screw	

**Note:**

- ★1. Nominal cooling capacities are based on the following conditions:  
 Return air temperature: 80°FDB (26.7°CDB), 67°FWB (19.4°CWB)  
 Outdoor temperature: 95°FDB (35.0°CDB)  
 Equivalent refrigerant piping length: 25 ft (7.6 m) (horizontal)
- ★2. Nominal heating capacities are based on the following conditions:  
 Return air temperature: 70°FDB (21.1°CDB).  
 Outdoor temperature: 47°FDB (8.3°CDB), 43°FWB (6.1°CWB)  
 Equivalent refrigerant piping length: 25 ft (7.6 m) (horizontal)
- ★3. Capacities are net, including a deduction for cooling (an addition for heating) for indoor fan motor heat.
- ★4. Anechoic chamber conversion value, measured under JIS conditions. During actual operation, these values may be higher as a result of installation conditions.

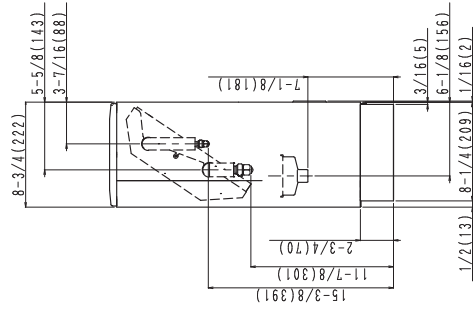
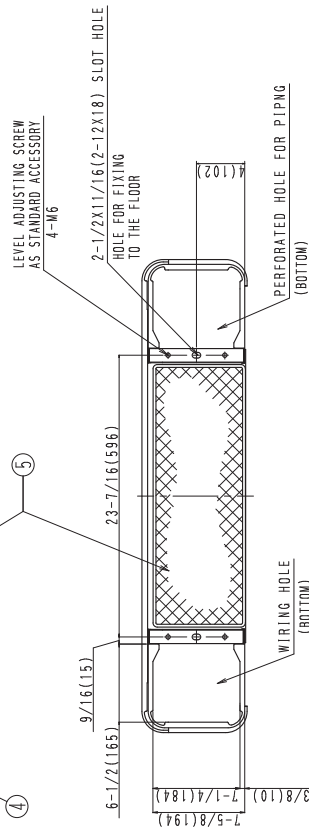
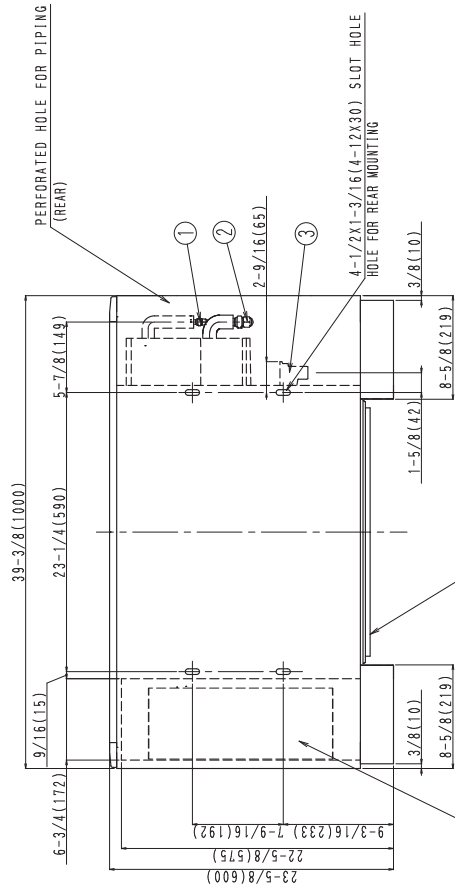
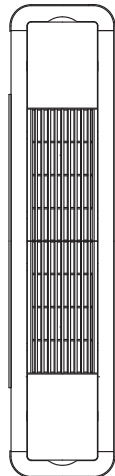
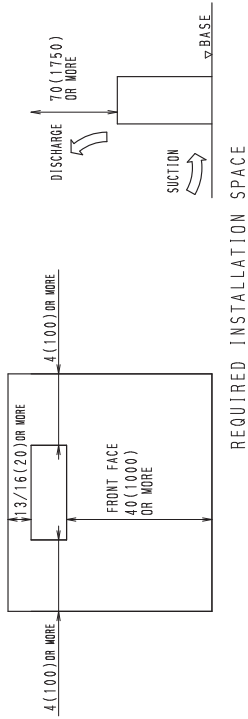
C: 3D045648A

### 3. Dimensions

#### 3.1 FXLQ

#### FXLQ07-09MVJU

Unit: in. (mm)



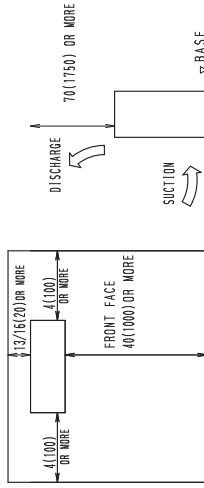
NOTE)  
1. LOCATION OF UNIT'S NAME PLATE:  
OUTSIDE SURFACE OF RIGHT SIDE PLATE.

NUMBER	NAME	DESCRIPTION
1	LIQUID PIPE CONNECTION PORT	φ1/4(φ6.4) FLARE CONNECTION
2	GAS PIPE CONNECTION PORT	φ1/2(φ12.7) FLARE CONNECTION
3	DRAIN PIPE CONNECTION PORT	O. D. 27/32(21)
4	SWITCH BOX	
5	AIR FILTER	

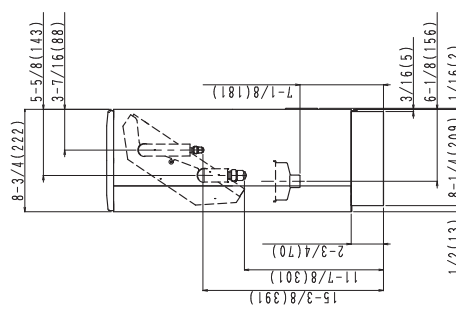
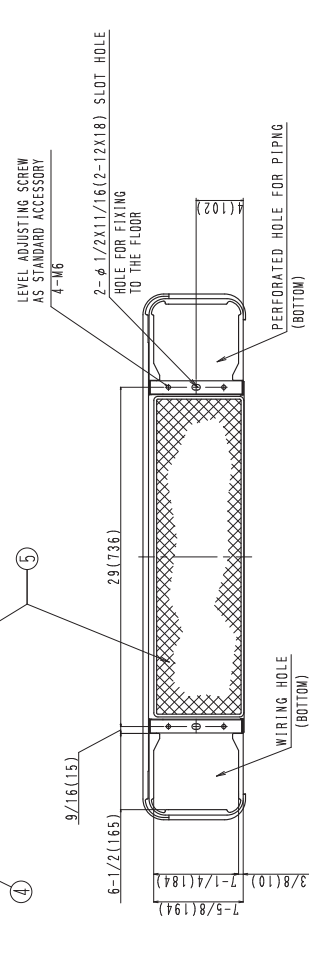
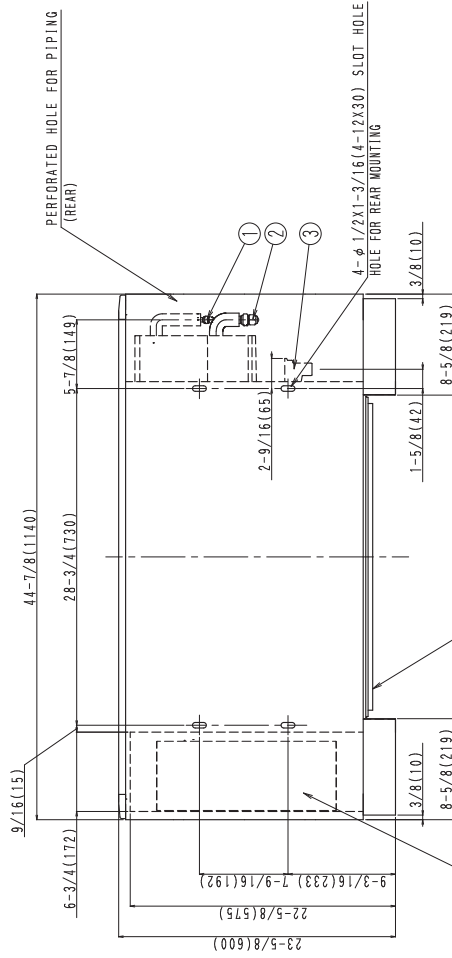
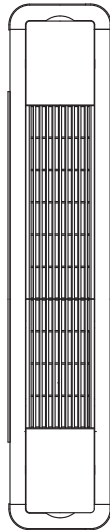
3D090732A

FXLQ12MVJU

Unit: in. (mm)



REQUIRED INSTALLATION SPACE



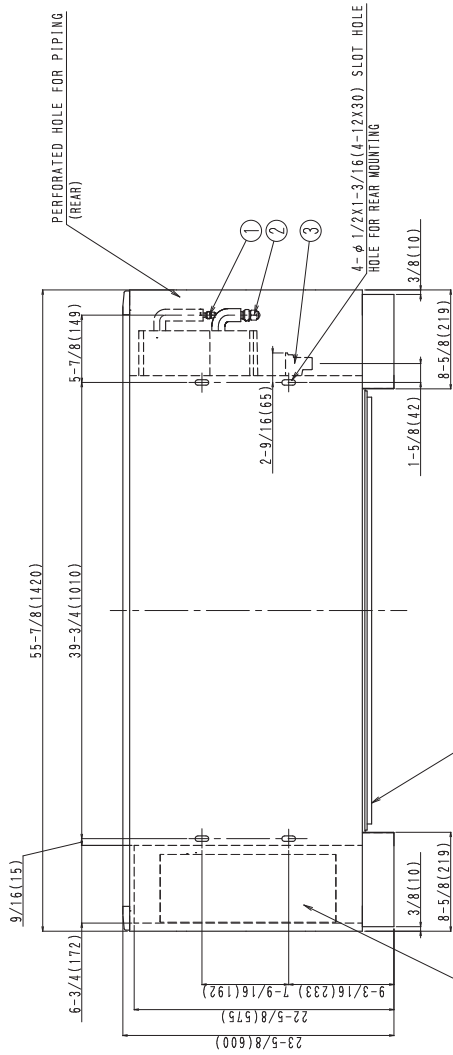
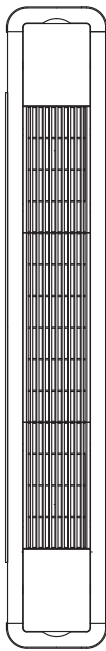
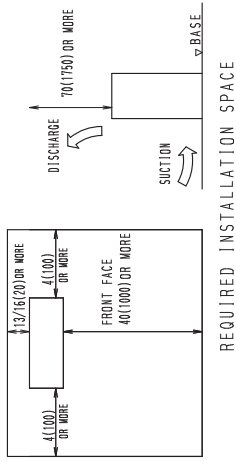
NOTE:  
1. LOCATION OF UNIT'S NAME PLATE:  
OUTSIDE SURFACE OF RIGHT SIDE PLATE.

NUMBER	NAME	DESCRIPTION
1	LIQUID PIPE CONNECTION PORT	ø1/4(ø6.4) FLARE CONNECTION
2	GAS PIPE CONNECTION PORT	ø1/2(ø12.7) FLARE CONNECTION
3	DRAIN PIPE CONNECTION PORT	O. D. 27/32(21)
4	ELECTRIC PARTS BOX	
5	AIR FILTER	

3D045642A

FXLQ18-24MVJU

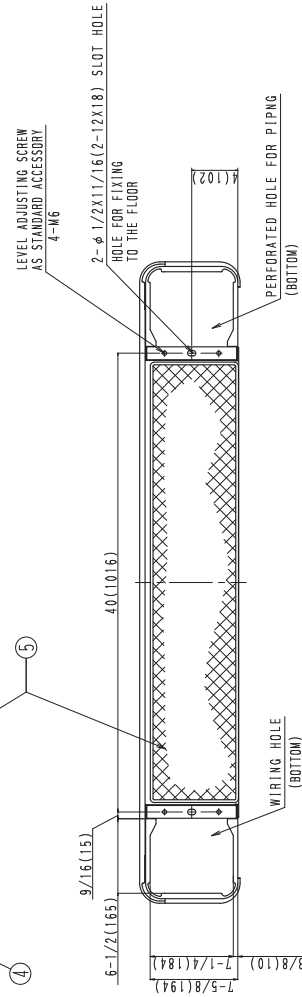
Unit: in. (mm)



Piping size (Field supply)

Indoor unit	Gas side	Liquid side
FXLQ18MVJU	φ 1/2(12, 7)	φ 1/4(6, 4)
FXLQ24MVJU	φ 5/8(15, 9)	φ 3/8(9, 5)

NOTE)  
1. LOCATION OF UNIT'S NAME PLATE:  
1, OUTSIDE SURFACE OF RIGHT SIDE PLATE.

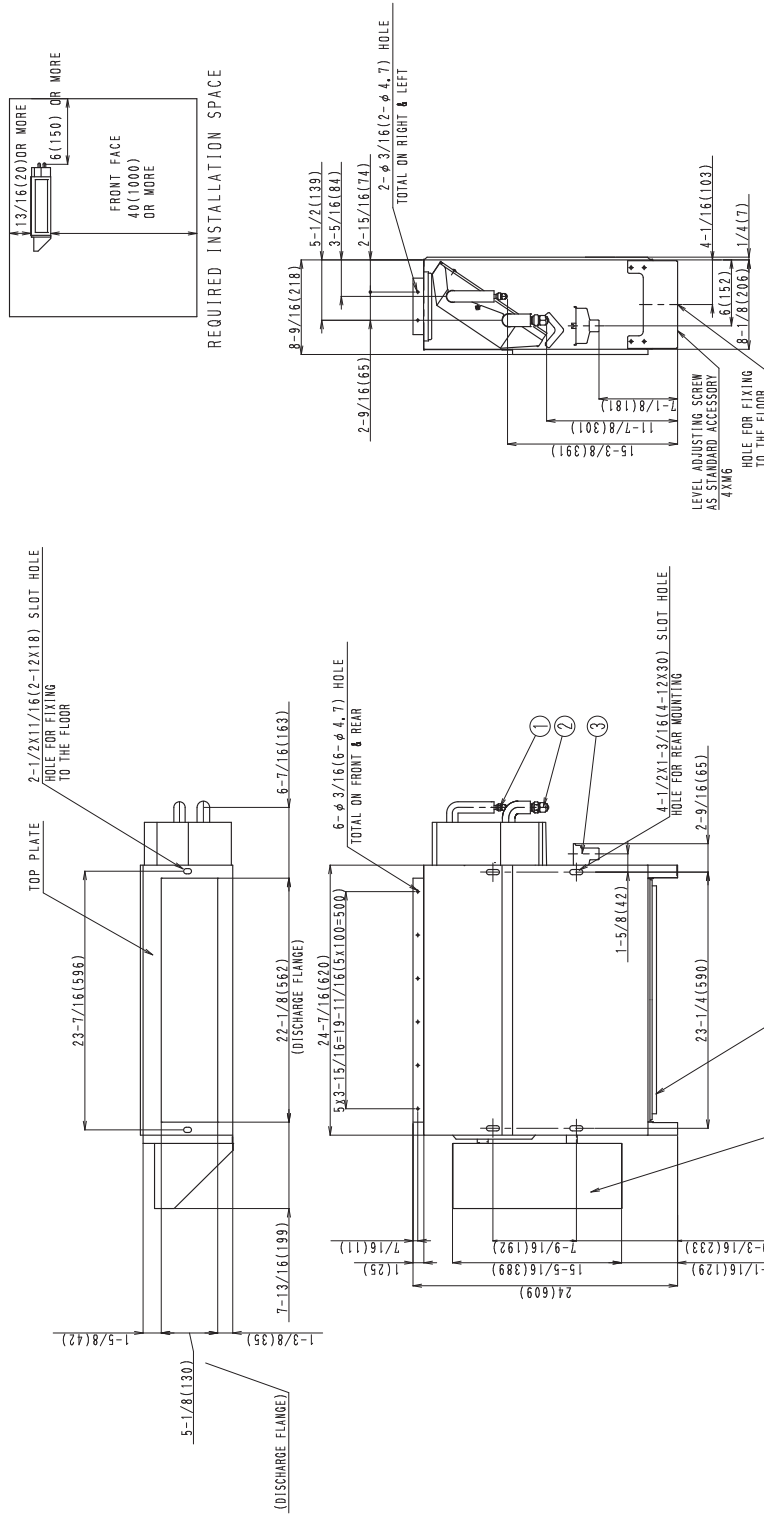


NUMBER	NAME	DESCRIPTION
1	LIQUID PIPE CONNECTION	FLARE CONNECTION
2	GAS PIPE CONNECTION	FLARE CONNECTION
3	DRAIN PIPE CONNECTION PORT	O, D, 27/32(21)
4	ELECTRIC PARTS BOX	
5	AIR FILTER	

3D045643A

3.2 FXNQ  
FXNQ07-09MVJU

Unit: in. (mm)



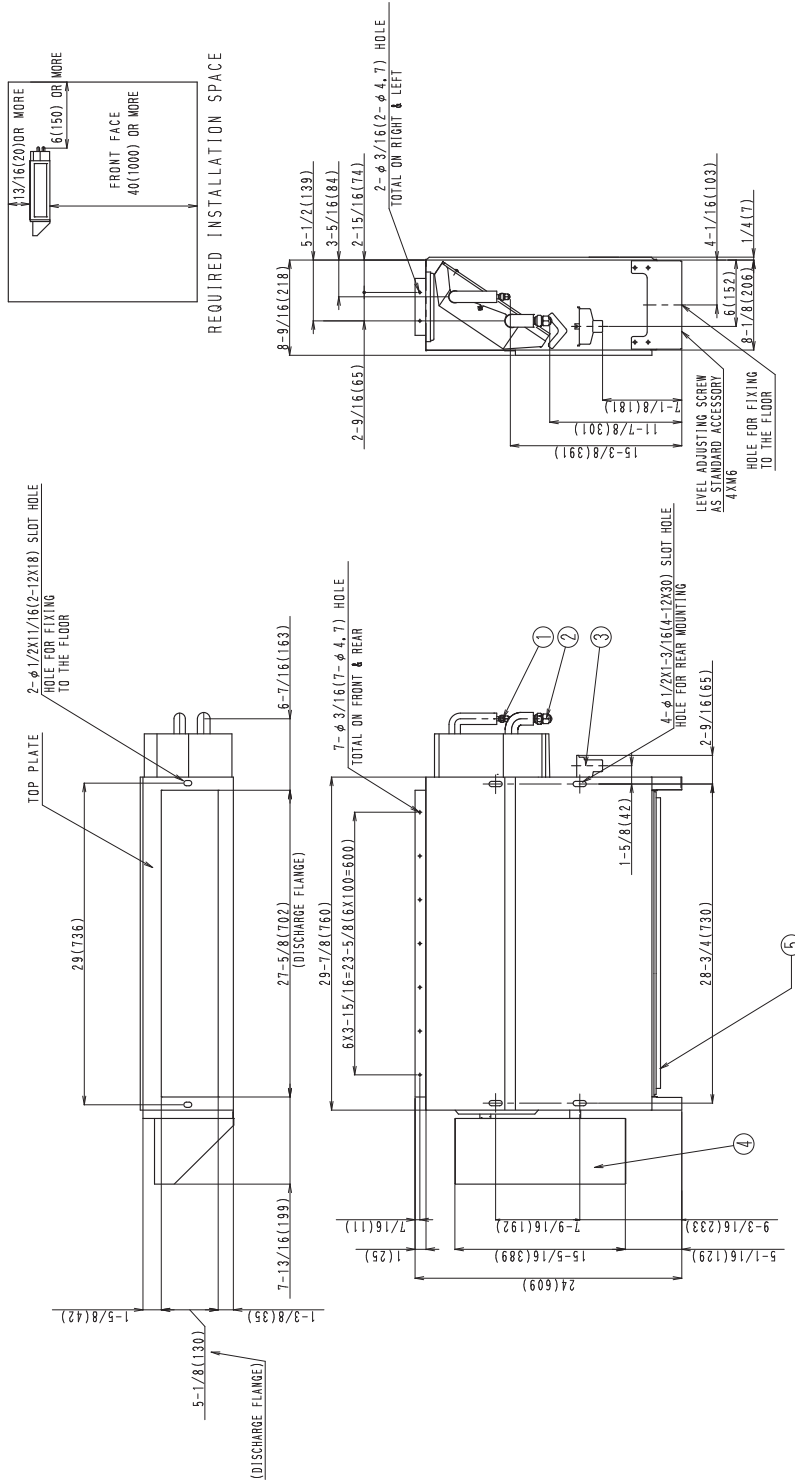
NUMBER	NAME	DESCRIPTION
1	LIQUID PIPE CONNECTION PORT	φ1/4(φ6.4) FLARE CONNECTION
2	GAS PIPE CONNECTION PORT	φ1/2(φ12.7) FLARE CONNECTION
3	DRAIN PIPE CONNECTION PORT	O. D. 27/32(21)
4	SWITCH BOX	
5	AIR FILTER	

NOTE)  
1. LOCATION OF UNIT'S NAME PLATE :  
THE RIGHT LOWER CORNER OF FRONT PLATE

3D090733

FXNQ12MVJU

Unit: in. (mm)



NUMBER	NAME	DESCRIPTION
1	LIQUID PIPE CONNECTION PORT	φ1/4(φ6.4) FLARE CONNECTION
2	GAS PIPE CONNECTION PORT	φ1/2(φ12.7) FLARE CONNECTION
3	DRAIN PIPE CONNECTION PORT	D. D. 27/32(21)
4	ELECTRIC PARTS BOX	
5	AIR FILTER	

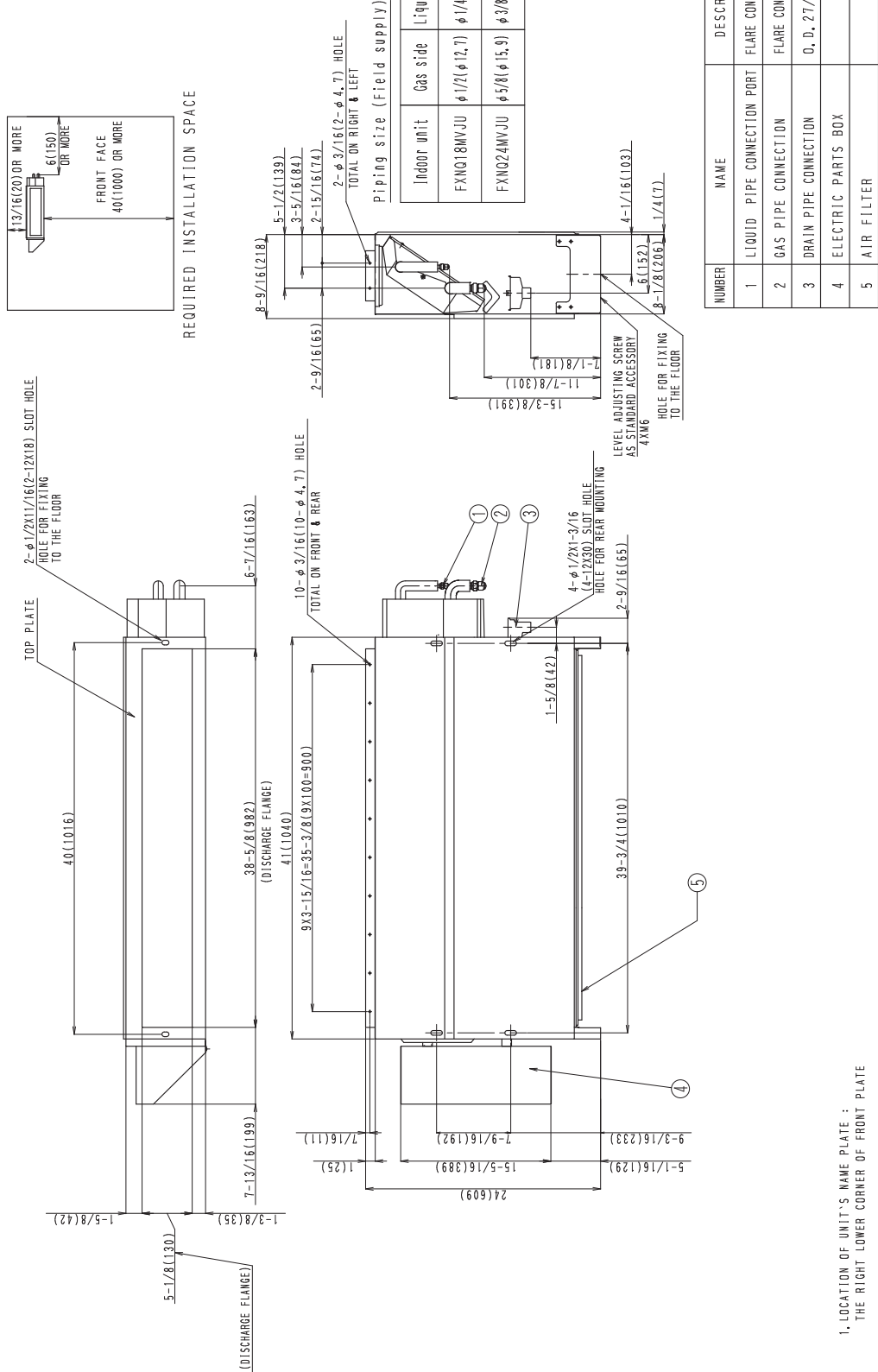
NOTE)  
1. LOCATION OF UNIT'S NAME PLATE :  
THE RIGHT LOWER CORNER OF FRONT PLATE

3D045650A



FXNQ18-24MVJU

Unit: in. (mm)



1. LOCATION OF UNIT'S NAME PLATE :  
THE RIGHT LOWER CORNER OF FRONT PLATE

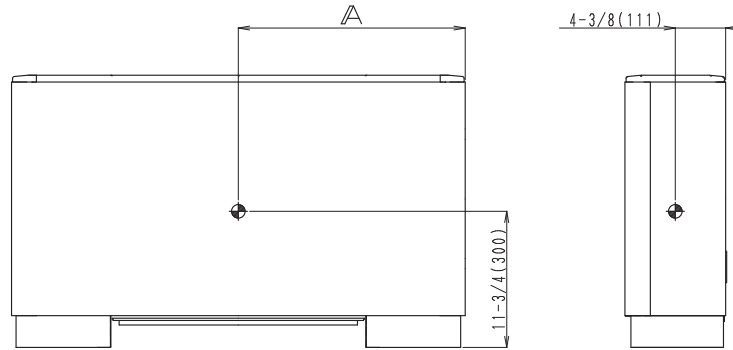
3D045651A

## 4. Center of Gravity

### 4.1 FXLQ

#### FXLQ07-24MVJU

Unit: in. (mm)



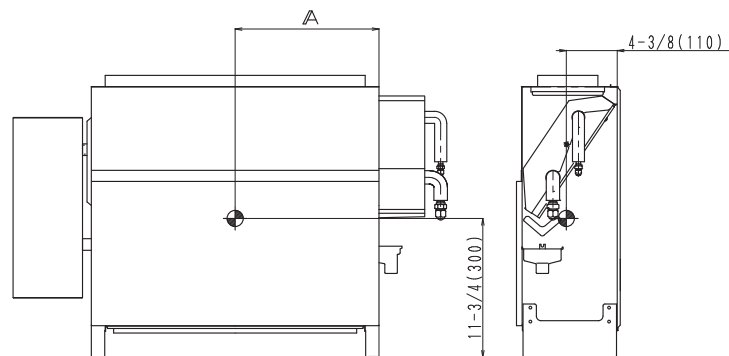
MODEL	A
FXLQ07, 09MVJU	19-11/16 (500)
FXLQ12MVJU	22-1/2 (570)
FXLQ18•24MVJU	28 (710)

4D045645A

### 4.2 FXNQ

#### FXNQ07-24MVJU

Unit: in. (mm)

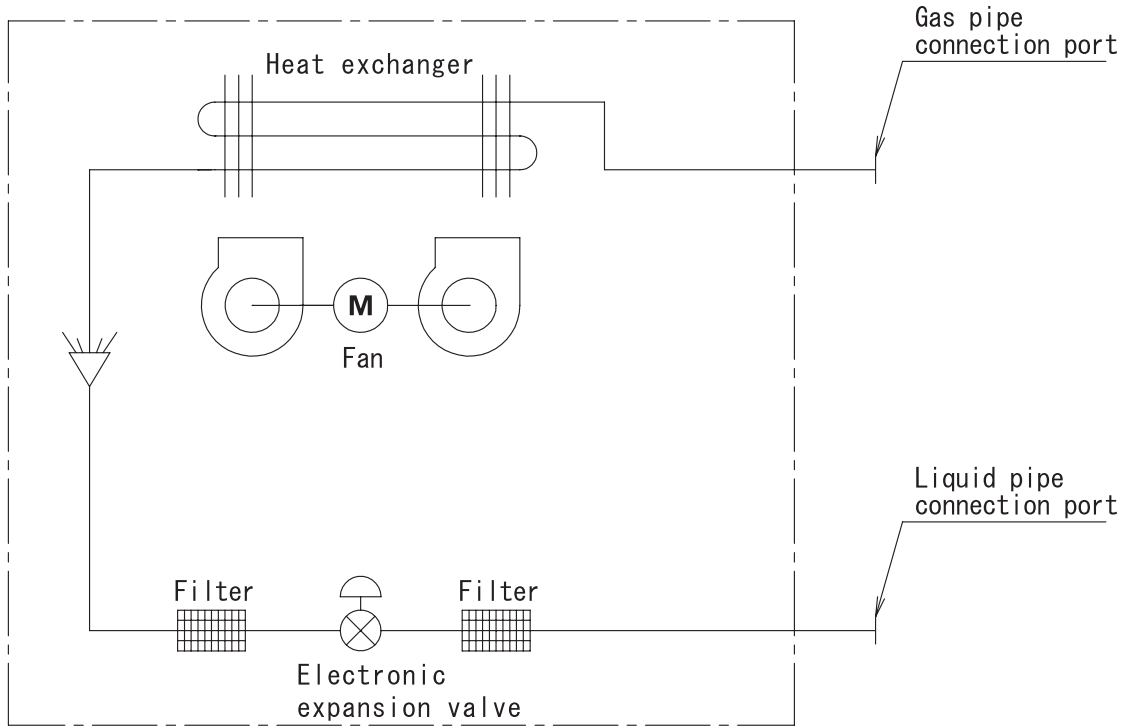


MODEL	A
FXNQ07, 09MVJU	15-9/16 (395)
FXNQ12MVJU	18-1/4 (465)
FXNQ18•24MVJU	19-7/8 (505)

4D045652A

### 5. Piping Diagrams

FXLQ07-24MVJU  
 FXNQ07-24MVJU



C: 4D034245R

Unit: in. (mm)

Model	Gas	Liquid
FXLQ07MVJU FXLQ09MVJU FXLQ12MVJU FXLQ18MVJU FXNQ07MVJU FXNQ09MVJU FXNQ12MVJU FXNQ18MVJU	$\phi 1/2$ ( $\phi 12.7$ )	$\phi 1/4$ ( $\phi 6.4$ )
FXLQ24MVJU FXNQ24MVJU	$\phi 5/8$ ( $\phi 15.9$ )	$\phi 3/8$ ( $\phi 9.5$ )



**FXLQ07-24MVJU**  
**FXNQ07-24MVJU**

INDOOR UNIT	
A1P	PRINTED CIRCUIT BOARD
C1	CAPACITOR (M1F)
F1U	FUSE (Ⓟ, 5 A, 250 V)
HAP	LIGHT EMITTING DIODE (SERVICE MONITOR-GREEN)
K1R-K3R	MAGNETIC RELAY (M1F)
M1F	MOTOR (INDOOR FAN)
Q1M	THERMO SWITCH (M1F EMBEDDED)
R1T	THERMISTOR (AIR)
R2T-R3T	THERMISTOR (COIL)
T1R	TRANSFORMER (208-230 V / 25 V)
X1M	TERMINAL BLOCK (POWER)
X2M	TERMINAL BLOCK (CONTROL)
Y1E	ELECTRONIC EXPANSION VALVE
CONNECTOR FOR OPTIONAL PARTS	
X18A	CONNECTOR (WIRING ADAPTOR FOR ELECTORICAL APPENDICES)

C: 3D045644C

## 7. Electric Characteristics

### FXLQ07-24MVJU FXNQ07-24MVJU

Model	Power supply				IFM		Input (W)		
	Hz	Volts	Voltage range	MCA	MOP	kW	FLA	Cooling	Heating
FXLQ·FXNQ07MVJU	60	208/230	Max. 253 Min. 187	0.3	15	0.015	0.2	47	47
FXLQ·FXNQ09MVJU				0.3	15	0.015	0.2	47	47
FXLQ·FXNQ12MVJU				0.5	15	0.025	0.4	79	79
FXLQ·FXNQ18MVJU				0.6	15	0.035	0.5	105	105
FXLQ·FXNQ24MVJU				0.6	15	0.035	0.5	108	108

**Symbol:**

MCA: Min. Circuit Amps (A)  
 MOP: Max. Overcurrent Protective Device (A)  
 kW: Fan Motor Rated Output (kW)  
 FLA: Full Load Amps (A)  
 IFM: Indoor Fan Motor

**Note:**

1. Voltage range  
Units are designed to operate only at the rated voltage provided in the table above.
2. Maximum allowable voltage unbalance between phases is 2%.
3. MCA/MOP  
 $MCA = 1.25 \times FLA$   
 $MOP \leq 4 \times FLA$   
 (Next lower standard fuse rating, Min. 15 A)
4. Select wire size based on the MCA.

C: 4D047090B

## 8. Safety Devices Setting

Model		FXLQ07MVJU FXNQ07MVJU	FXLQ09MVJU FXNQ09MVJU	FXLQ12MVJU FXNQ12MVJU	FXLQ18MVJU FXNQ18MVJU	FXLQ24MVJU FXNQ24MVJU
Printed circuit board fuse		250 V, 5 A	250 V, 5 A	250 V, 5 A	250 V, 5 A	250 V, 5 A
Fan motor thermal protector	°F (°C)	OFF: 275 <sup>±18</sup> (135 <sup>±10</sup> ) ON: 248 (120) or less	OFF: 275 <sup>±18</sup> (135 <sup>±10</sup> ) ON: 248 (120) or less	OFF: 275 <sup>±18</sup> (135 <sup>±10</sup> ) ON: 248 (120) or less	OFF: 275 <sup>±18</sup> (135 <sup>±10</sup> ) ON: 248 (120) or less	OFF: 275 <sup>±18</sup> (135 <sup>±10</sup> ) ON: 248 (120) or less

C: 3D045646B

## 9. Capacity Tables

### 9.1 Cooling Capacity at Te: 43°F (6°C)

Model	Indoor air temp. °FWB (°CWB) (Te: 43°F (6°C))											
	61 (16.1)		64 (17.8)		67 (19.4)		70 (21.1)		72 (22.2)		75 (23.9)	
	TC	SHC	TC	SHC	TC	SHC	TC	SHC	TC	SHC	TC	SHC
	MBH	MBH	MBH	MBH	MBH	MBH	MBH	MBH	MBH	MBH	MBH	MBH
FXLQ07MVJU FXNQ07MVJU	5.9	4.9	6.7	5.4	7.5	5.8	7.6	5.6	7.7	5.1	7.9	4.8
FXLQ09MVJU FXNQ09MVJU	7.5	5.9	8.5	6.5	9.5	7.1	9.7	6.9	9.8	6.4	10.0	6.0
FXLQ12MVJU FXNQ12MVJU	9.5	7.5	10.7	7.9	12.0	8.3	12.7	8.4	12.9	8.0	13.1	7.6
FXLQ18MVJU FXNQ18MVJU	14.2	10.7	16.1	11.5	18.0	12.2	19.1	12.6	19.3	12.1	19.7	11.4
FXLQ24MVJU FXNQ24MVJU	18.9	14.1	21.5	15.1	24.0	15.9	25.5	16.5	25.8	15.8	26.3	14.7

TC: Total capacity: MBH  
 SHC: Sensible heat capacity: MBH

**Note:**

1. These capacity tables can be used when selecting a **VRV** indoor unit. The actual capacity of the **VRV** system depends on factors such as the selected model of outdoor units, outdoor air temperature and piping length. Please confirm that the corrected capacity of the **VRV** system satisfies the required heat load.
2.  shows rated condition.

### 9.2 Heating Capacity

Model	Indoor air temp. °FDB (°CDB) (Tc: 115°F (46°C))											
	62 (16.7)		65 (18.3)		68 (20.0)		70 (21.1)		72 (22.2)		75 (23.9)	
	TC	TC	TC	TC	TC	TC	TC	TC	TC	TC	TC	
	MBH	MBH	MBH	MBH	MBH	MBH	MBH	MBH	MBH	MBH	MBH	
FXLQ07MVJU FXNQ07MVJU	9.9	9.3	8.8	8.5	8.2	7.7						
FXLQ09MVJU FXNQ09MVJU	12.3	11.5	10.9	10.5	10.1	9.5						
FXLQ12MVJU FXNQ12MVJU	14.9	14.7	14.0	13.5	13.0	12.3						
FXLQ18MVJU FXNQ18MVJU	22.3	22.1	21.0	20.0	19.5	18.4						
FXLQ24MVJU FXNQ24MVJU	29.7	29.5	28.0	27.0	26.0	24.5						

TC: Total capacity: MBH

**Note:**

1. These capacity tables can be used when selecting a **VRV** indoor unit. The actual capacity of the **VRV** system depends on factors such as the selected model of outdoor units, outdoor air temperature and piping length. Please confirm that the corrected capacity of the **VRV** system satisfies the required heat load.
2.  shows rated condition.



### 9.3 Correction Factor for Cooling Capacity at Te: 48°F (9°C)

Refer to the correction factor table below when a mini-split indoor unit is connected to a **VRV** Heat Pump system using a Branch Port box.

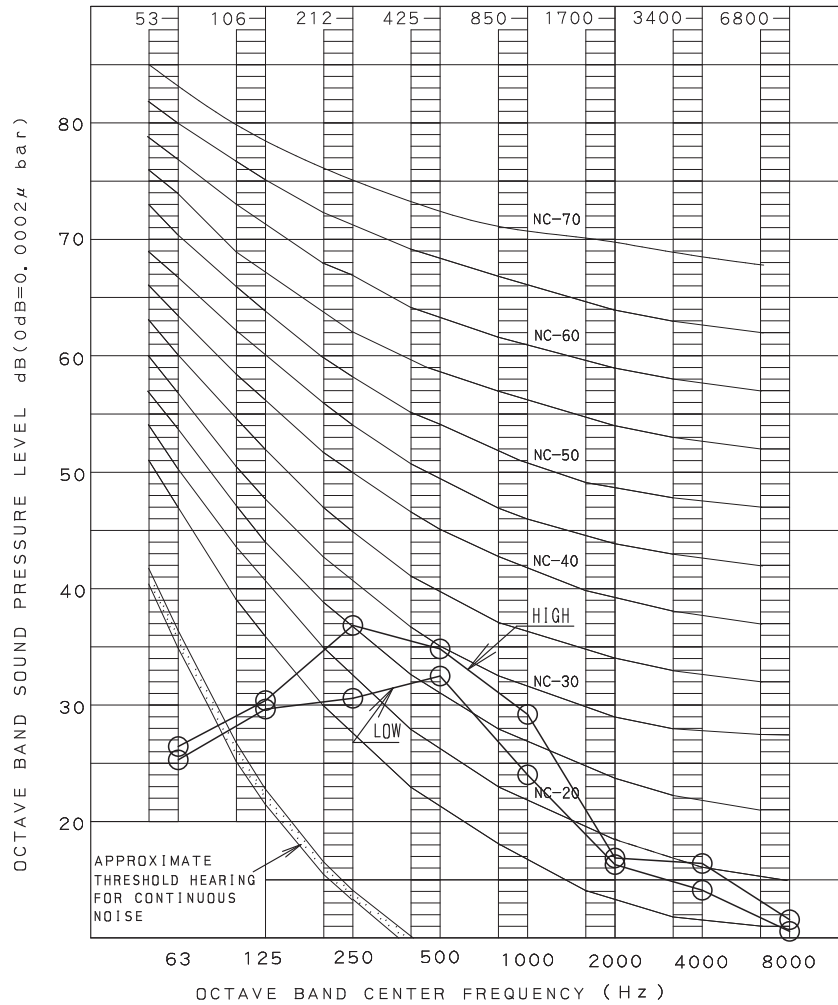
Model	Indoor air temp. °FWB (°CWB) (Te: 48°F (9°C))											
	61 (16.1)		64 (17.8)		67 (19.4)		70 (21.1)		72 (22.2)		75 (23.9)	
	TC	SHF	TC	SHF	TC	SHF	TC	SHF	TC	SHF	TC	SHF
FXLQ07MVJU FXNQ07MVJU	0.71	1.16	0.77	1.11	0.79	1.09	0.81	1.07	0.84	1.05	0.87	1.03
FXLQ09MVJU FXNQ09MVJU	0.71	1.16	0.77	1.11	0.79	1.09	0.81	1.07	0.84	1.05	0.87	1.03
FXLQ12MVJU FXNQ12MVJU	0.71	1.16	0.77	1.11	0.79	1.09	0.81	1.07	0.84	1.05	0.87	1.03
FXLQ18MVJU FXNQ18MVJU	0.71	1.16	0.77	1.11	0.79	1.09	0.81	1.07	0.84	1.05	0.87	1.03
FXLQ24MVJU FXNQ24MVJU	0.71	1.16	0.77	1.10	0.80	1.08	0.81	1.07	0.84	1.05	0.87	1.04

TC: Total capacity  
SHF: Sensible heat factor

# 10. Sound Levels (Reference Data)

## 10.1 FXLQ

### FXLQ07-09MVJU



OVER ALL (dB)

SCALE	HIGH	LOW
A	35	32

(B. G. N IS ALREADY RECTIFIED)

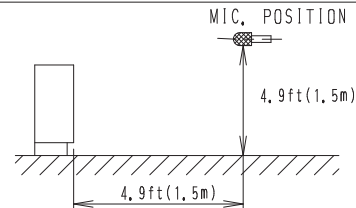
OPERATING CONDITIONS

POWER SOURCE	208/230V 60Hz
COOLING	RETURN AIR TEMPERATURE: 80.0 °F (26.7 °C) DB, 67.0 °F (19.4 °C) WB OUTDOOR TEMPERATURE: 95.0 °F (35.0 °C) DB, 75.0 °F (23.9 °C) WB
HEATING	RETURN AIR TEMPERATURE: 70.0 °F (21.1 °C) DB, 60.0 °F (15.6 °C) WB OUTDOOR TEMPERATURE: 47.0 °F (8.3 °C) DB, 43.0 °F (6.1 °C) WB

MEASURING PLACE

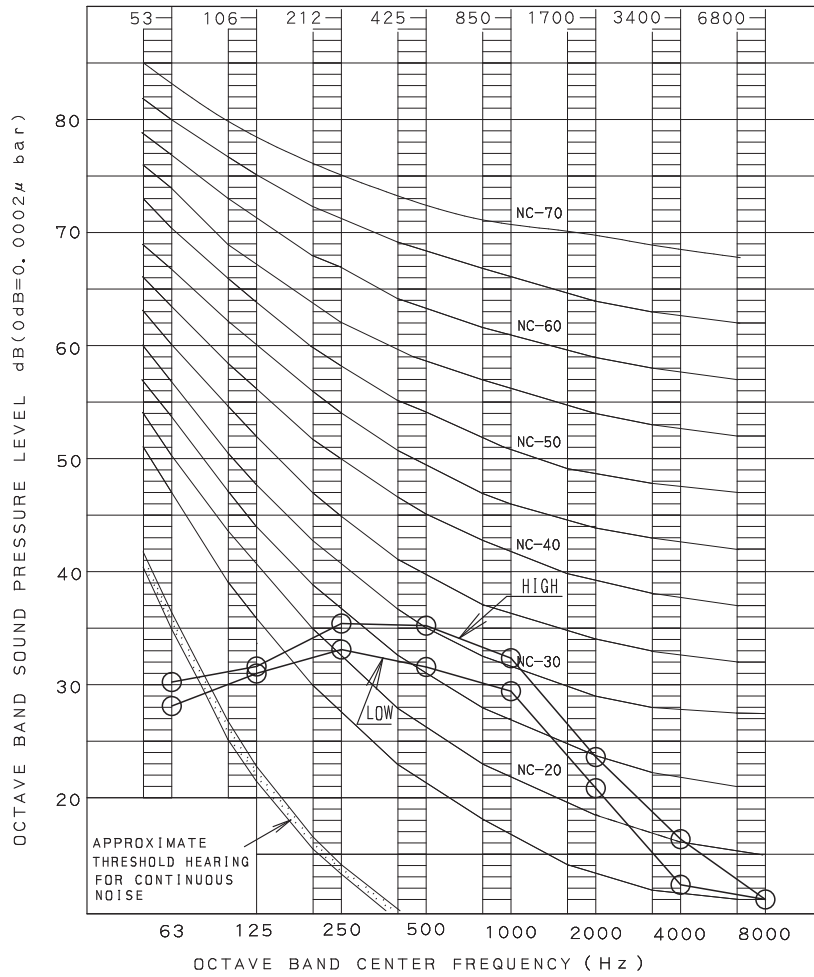
ANECHOIC CHAMBER

LOCATION OF MICROPHONE



NOTE: Operation noise differs with operation and ambient conditions.

FXLQ12MVJU



OVER ALL (dB)

SCALE	HIGH	LOW
A	36	33

(B, G, N IS ALREADY RECTIFIED)

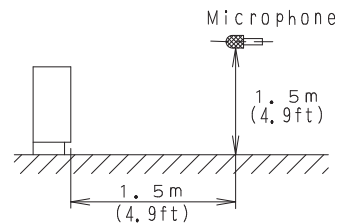
OPERATING CONDITIONS

POWER SOURCE	208/230V 60Hz
COOLING	RETURN AIR TEMPERATURE: 80.0 °F (26.7 °C) DB, 67.0 °F (19.4 °C) WB OUTDOOR TEMPERATURE: 95.0 °F (35.0 °C) DB, 75.0 °F (23.9 °C) WB
HEATING	RETURN AIR TEMPERATURE: 70.0 °F (21.1 °C) DB, 60.0 °F (15.6 °C) WB OUTDOOR TEMPERATURE: 47.0 °F (8.3 °C) DB, 43.0 °F (6.1 °C) WB

MEASURING PLACE

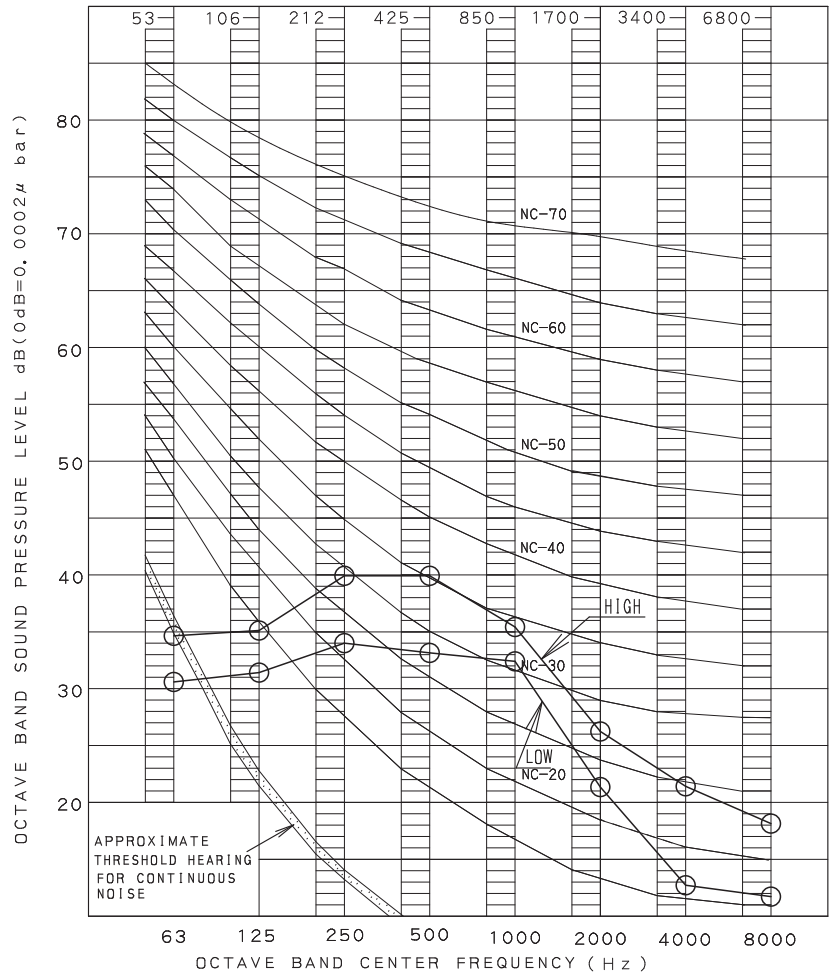
ANECHOIC CHAMBER

LOCATION OF MICROPHONE



NOTE: Operation noise differs with operation and ambient conditions.

FXLQ18MVJU



OVER ALL (dB)

SCALE	HIGH	LOW
A	40	35

(B. G. N IS ALREADY RECTIFIED)

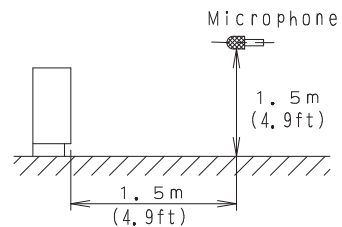
OPERATING CONDITIONS

POWER SOURCE	208/230V 60Hz
COOLING	RETURN AIR TEMPERATURE: 80.0 °F (26.7 °C) DB, 67.0 °F (19.4 °C) WB OUTDOOR TEMPERATURE: 95.0 °F (35.0 °C) DB, 75.0 °F (23.9 °C) WB
HEATING	RETURN AIR TEMPERATURE: 70.0 °F (21.1 °C) DB, 60.0 °F (15.6 °C) WB OUTDOOR TEMPERATURE: 47.0 °F (8.3 °C) DB, 43.0 °F (6.1 °C) WB

MEASURING PLACE

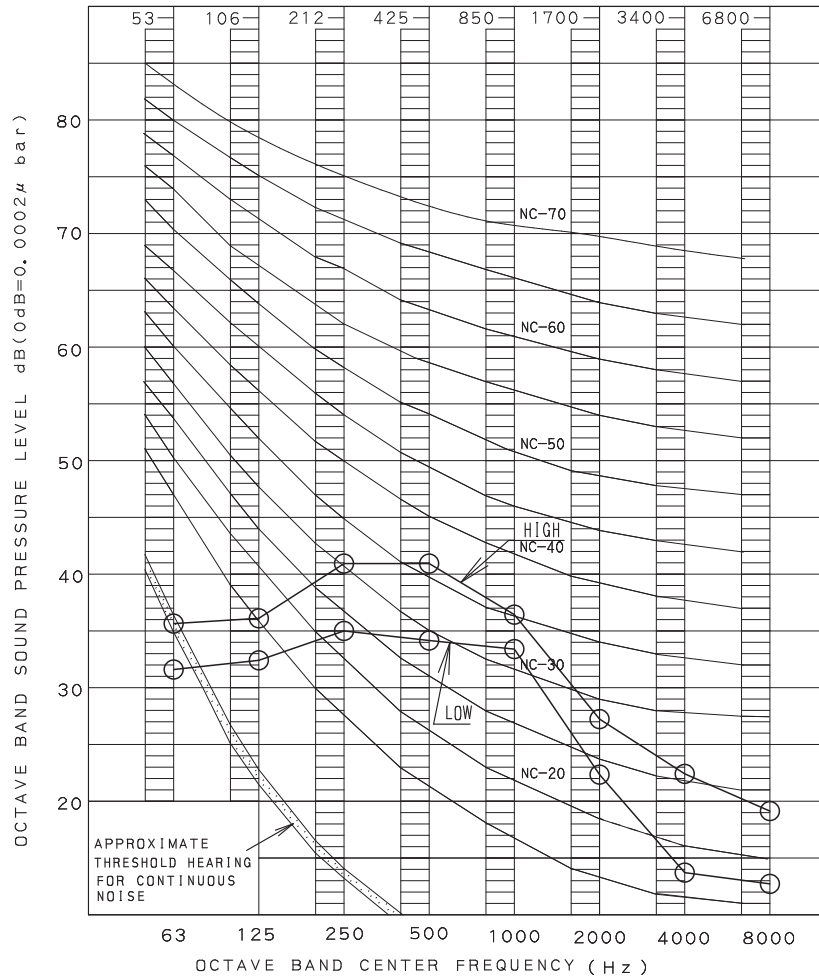
ANECHOIC CHAMBER

LOCATION OF MICROPHONE



NOTE: Operation noise differs with operation and ambient conditions.

FXLQ24MVJU



OVER ALL (dB)

SCALE	HIGH	LOW
A	41	36

(B, G, N IS ALREADY RECTIFIED)

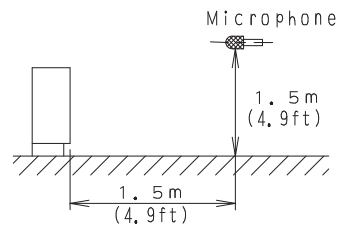
OPERATING CONDITIONS

POWER SOURCE	208/230V 60Hz
COOLING	RETURN AIR TEMPERATURE: 80.0 °F (26.7 °C) DB, 67.0 °F (19.4 °C) WB OUTDOOR TEMPERATURE: 95.0 °F (35.0 °C) DB, 75.0 °F (23.9 °C) WB
HEATING	RETURN AIR TEMPERATURE: 70.0 °F (21.1 °C) DB, 60.0 °F (15.6 °C) WB OUTDOOR TEMPERATURE: 47.0 °F (8.3 °C) DB, 43.0 °F (6.1 °C) WB

MEASURING PLACE

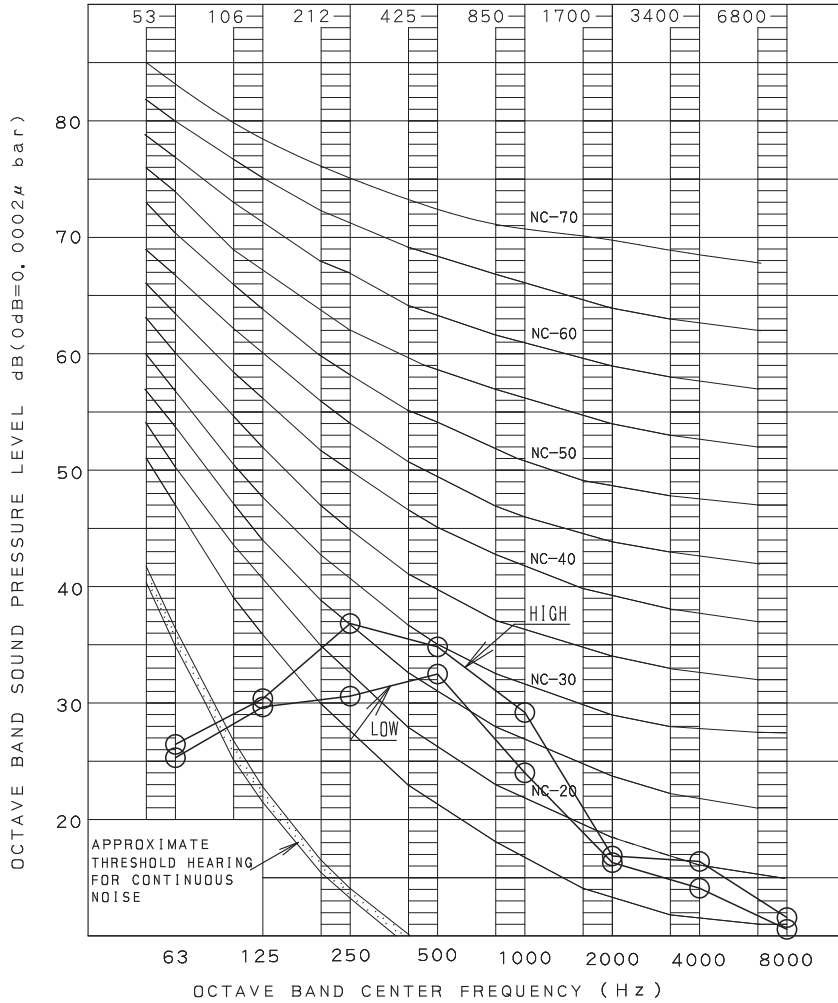
ANECHOIC CHAMBER

LOCATION OF MICROPHONE



NOTE: Operation noise differs with operation and ambient conditions.

10.2 FXNQ  
FXNQ07-09MVJU



OVER ALL (dB)

SCALE	HIGH	LOW
A	35	32

(B, G, N IS ALREADY RECTIFIED)

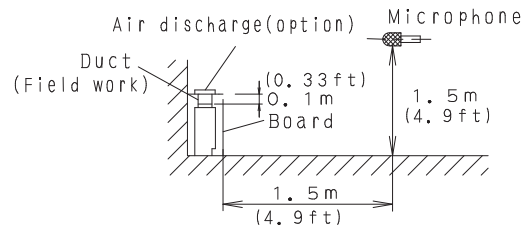
OPERATING CONDITIONS

POWER SOURCE	208/230V 60Hz
COOLING	RETURN AIR TEMPERATURE: 80.0 °F (26.7 °C) DB, 67.0 °F (19.4 °C) WB OUTDOOR TEMPERATURE: 95.0 °F (35.0 °C) DB, 75.0 °F (23.9 °C) WB
HEATING	RETURN AIR TEMPERATURE: 70.0 °F (21.1 °C) DB, 60.0 °F (15.6 °C) WB OUTDOOR TEMPERATURE: 47.0 °F (8.3 °C) DB, 43.0 °F (6.1 °C) WB

MEASURING PLACE

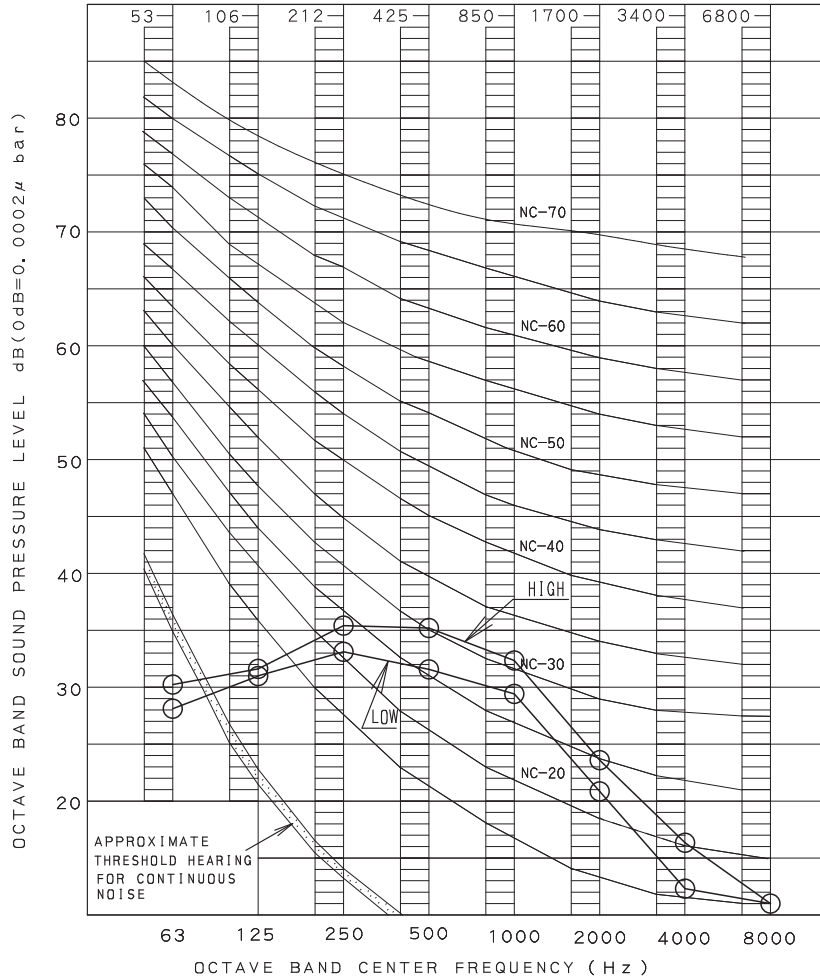
ANECHOIC CHAMBER

LOCATION OF MICROPHONE



NOTE: Operation noise differs with operation and ambient conditions.

FXNQ12MVJU



OVER ALL (dB)

SCALE	HIGH	LOW
A	36	33

(B. G. N IS ALREADY RECTIFIED)

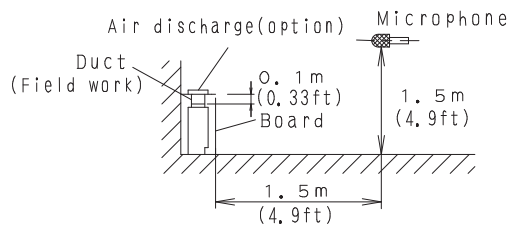
OPERATING CONDITIONS

POWER SOURCE	208/230V 60Hz
COOLING	RETURN AIR TEMPERATURE: 80.0 °F (26.7 °C) DB, 67.0 °F (19.4 °C) WB OUTDOOR TEMPERATURE: 95.0 °F (35.0 °C) DB, 75.0 °F (23.9 °C) WB
HEATING	RETURN AIR TEMPERATURE: 70.0 °F (21.1 °C) DB, 60.0 °F (15.6 °C) WB OUTDOOR TEMPERATURE: 47.0 °F (8.3 °C) DB, 43.0 °F (6.1 °C) WB

MEASURING PLACE

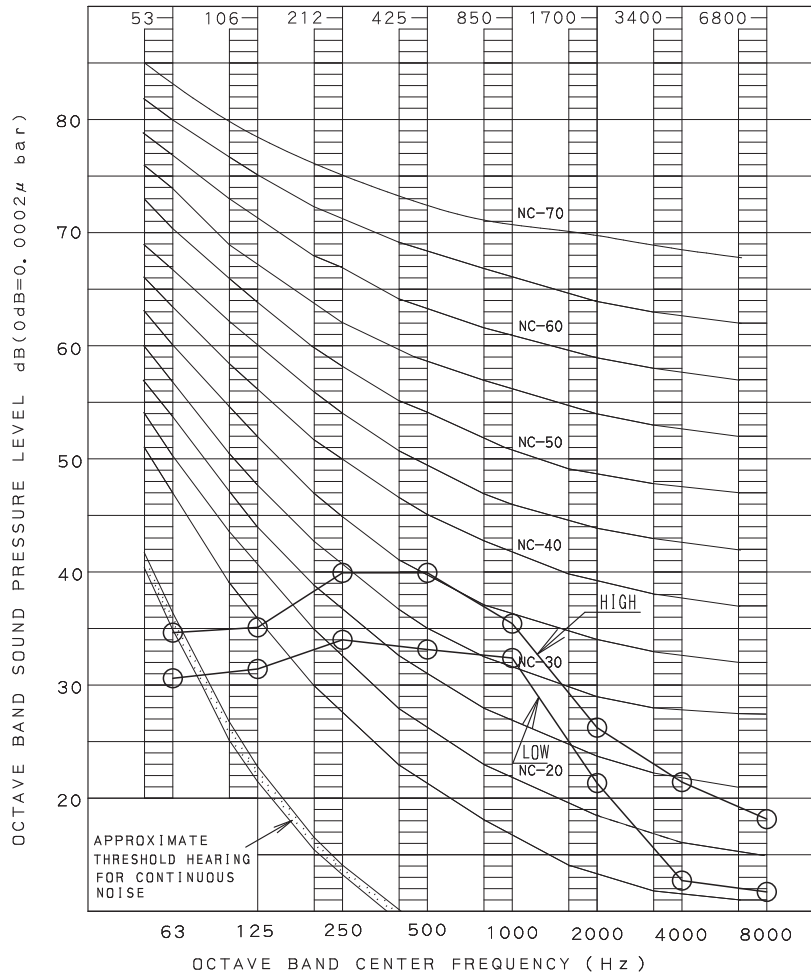
ANECHOIC CHAMBER

LOCATION OF MICROPHONE



NOTE: Operation noise differs with operation and ambient conditions.

FXNQ18MVJU



OVER ALL (dB)

SCALE	HIGH	LOW
A	40	35

(B. G. N IS ALREADY RECTIFIED)

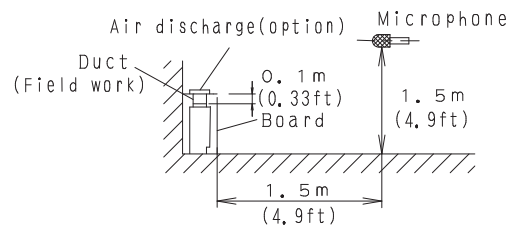
OPERATING CONDITIONS

POWER SOURCE	208/230V 60Hz
COOLING	RETURN AIR TEMPERATURE: 80.0 °F (26.7 °C) DB, 67.0 °F (19.4 °C) WB OUTDOOR TEMPERATURE: 95.0 °F (35.0 °C) DB, 75.0 °F (23.9 °C) WB
HEATING	RETURN AIR TEMPERATURE: 70.0 °F (21.1 °C) DB, 60.0 °F (15.6 °C) WB OUTDOOR TEMPERATURE: 47.0 °F (8.3 °C) DB, 43.0 °F (6.1 °C) WB

MEASURING PLACE

ANECHOIC CHAMBER

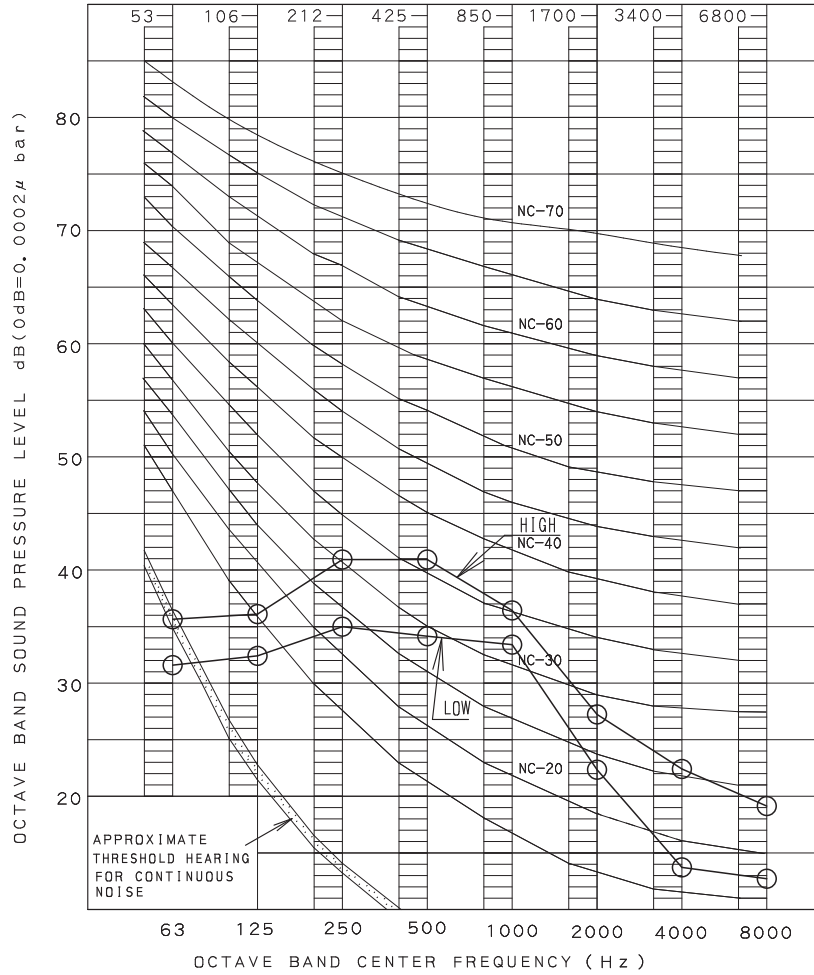
LOCATION OF MICROPHONE



NOTE: Operation noise differs with operation and ambient conditions.



FXNQ24MVJU



OVER ALL (dB)

SCALE	HIGH	LOW
A	41	36

(B. G. N IS ALREADY RECTIFIED)

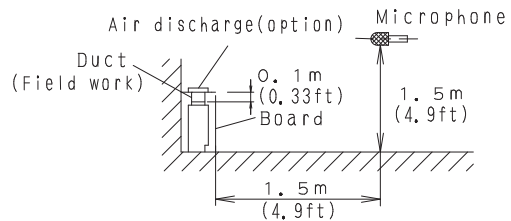
OPERATING CONDITIONS

POWER SOURCE	208/230V 60Hz
COOLING	RETURN AIR TEMPERATURE: 80.0 °F (26.7 °C) DB, 67.0 °F (19.4 °C) WB OUTDOOR TEMPERATURE: 95.0 °F (35.0 °C) DB, 75.0 °F (23.9 °C) WB
HEATING	RETURN AIR TEMPERATURE: 70.0 °F (21.1 °C) DB, 60.0 °F (15.6 °C) WB OUTDOOR TEMPERATURE: 47.0 °F (8.3 °C) DB, 43.0 °F (6.1 °C) WB

MEASURING PLACE

ANECHOIC CHAMBER

LOCATION OF MICROPHONE



NOTE: Operation noise differs with operation and ambient conditions.

## 11.Accessories

### 11.1 Optional Accessories (for Unit)

No.	Option	Note	FXLQ07MVJU FXNQ07MVJU	FXLQ09MVJU FXNQ09MVJU	FXLQ12MVJU FXNQ12MVJU	FXLQ18MVJU FXNQ18MVJU	FXLQ24MVJU FXNQ24MVJU
1	Replacement long life filter		KAF361L28		KAF361L45	KAF361L71	

C: 3D094932





**Warning** ● Ask a qualified installer or contractor to install this product. Do not try to install the product yourself.



Improper installation can result in water or refrigerant leakage, electrical shock, fire or explosion.

- Use only those parts and accessories supplied or specified by Daikin. Ask a qualified installer or contractor to install those parts and accessories. Use of unauthorised parts and accessories or improper installation of parts and accessories can result in water or refrigerant leakage, electrical shock, fire or explosion.
- Read the user's manual carefully before using this product. The user's manual provides important safety instructions and warnings. Be sure to follow these instructions and warnings.

If you have any inquiries, please contact your local importer, distributor and/or retailer.

### **Cautions on product corrosion**

1. Air conditioners should not be installed in areas where corrosive gases, such as acid gas or alkaline gas, are produced.
2. If the outdoor unit is to be installed close to the sea shore, direct exposure to the sea breeze should be avoided. If you need to install the outdoor unit close to the sea shore, contact your local distributor.