



Powerful. Concealed. Flexible.

Daikin's FXMQ_TBVJU HSP Concealed Ducted unit offers design flexibility for many applications. The compact design allows it to be installed in cramped air conditioning spaces. A high-efficiency DC fan motor delivers nominal CFM up to 0.8" external static pressure, all from a short-chassis design only 9-11/16" (245 mm) height. A selectable Auto fan** speed control automatically adjusts the fan speed in response to the room temperature to deliver ideal comfort and help reduce fan energy use.

Features and Benefits

- » Capacity range up to 54 MBH.
- » Energy efficient due to the DC fan motor
- » Ideal to use together with the optional Daikin Zoning Kit, DZK
- » Provides a high degree of control for auxiliary heating devices, with independently configurable on/off temperature values
- » Advanced economizer control logic
- » Enhanced indoor air quality and LEED® ready with MERV 13 filter options
- » Ease of installation with auto adjusting airflow at commissioning based on external static pressure
- » Flexible ductwork design with ESP capabilities up to 0.8" W.G.
- » Installation flexibility with a low profile, compact design at less than 12" in height
- » Easy maintenance with complete service access from below

* Refer to installation manual for all installation requirements.

** Auto fan speed requires the use of the BRC1E73 controller



Condensate Pump as Standard



Outside Air Integration Possible



Drain Pan Inspection Port



Auto Fan Speed Control



BRC1E73 (option)



BRC2A71 (option)



BRC4C82 (option)

Applications:



OFFICE



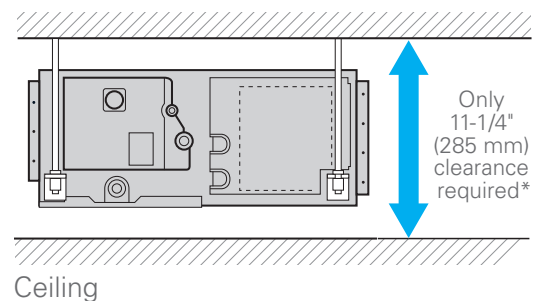
HOTELS



RETAIL



SCHOOLS



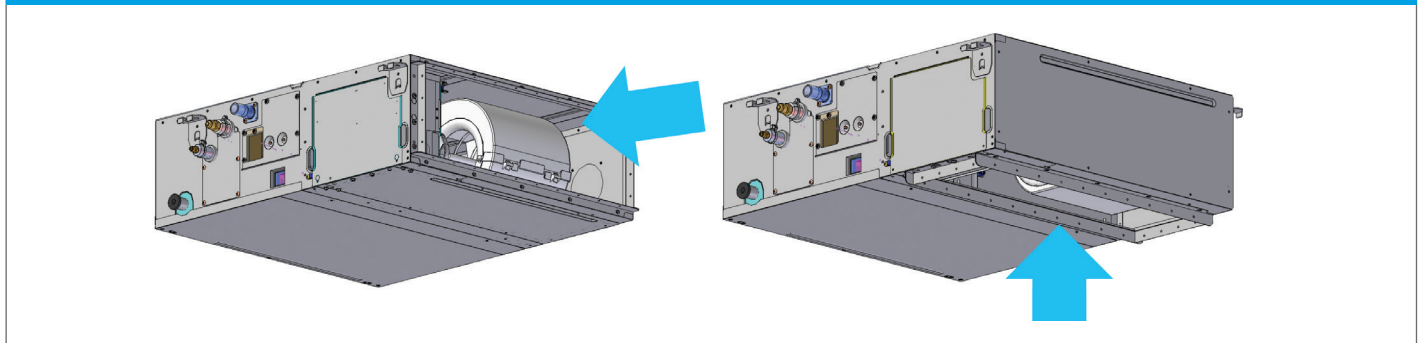
FXMQ-TBVJU SPECIFICATIONS		1.25 TON	1.5 TON	2.0 TON	2.5 TON	3.0 TON	4.0 TON	4.5 TON
Model Name		FXMQ15TBVJU	FXMQ18TBVJU	FXMQ24PBVJU	FXMQ30TBVJU	FXMQ36TBVJU	FXMQ48TBVJU	FXMQ54TBVJU
Power Supply	V/ph/Hz	Single-phase 208/230V 60Hz						
Rated Cooling Capacity	BTU/h	14,200 (4.2)	18,000 (5.3)	24,000 (7.0)	30,000 (8.8)	36,000 (10.6)	48,000 (14.1)	54,000 (16.7)
Rated Heating Capacity	BTU/h	17,000 (5.0)	20,000 (5.9)	27,000 (7.9)	34,000 (10.0)	40,000 (11.7)	54,000 (15.8)	63,000 (18.5)
Airflow Rate (H/M/L)	SCFM (M3/MIN)	560/447/406 (15.8/12.7/11.5)	635/565/512 (18.0/16.0/14.5)	742/635/565 (21.0/18.0/16.0)	1094/847/795 (31.0/24/22.5)	1130/953/795 (32.0/27.0/22.5)	1377/1130/918 (39.0/32.0/26.0)	1518/1235/989 (43.0/35.0/28.0)
Height	in.	9-11/16						
Width	in.	39-3/8			55-1/8		61	
Depth	in.	31-1/2						
Condensate Pump Lift	in.	25-5/16						
Sound Level (Reference) *	Power dB(A)	65	64	67	71	72	76	80
	Pressure dB(A)	37/34/31	36/34/32	39/35/33	43/38/36	44/40/36	48/44/39	52/47/42
Weight	lbs (kg)	77 (35)		82 (37)	101 (46)		104 (47)	115 (52)
Condensate Pipe Connection	in. O.D.	VP25						
Pipe Connections	Gas	in. (mm) \varnothing 1/4 (\varnothing 6.4) (Flare)			in. (mm) \varnothing 3/8 (\varnothing 9.5) (Flare)			
	Liquid	in. (mm) \varnothing 1/2 (\varnothing 12.7) (Flare)			in. (mm) \varnothing 5/8 (\varnothing 15.9) Flare			
Refrigerant		R-410A						
Refrigerant Control		Electronic Expansion Valve						
Maximum Overcurrent Protective Device	A	15						
Minimum Circuit Amps	A	1.8	1.9		3	3.1	3.6	
Protection Devices		Fuse and Fan Driver Overload Protector						
External Finish		Galvanized Steel Plate						
External Static Pressure (H/L)	in. W.G.	0.80/0.20						0.56/0.20

* The sound power levels are based on ISO9614 and the sound pressure levels are based on JIS B 8616.

FXMQ-PBVJU ACCESSORIES							
Model Name	FXMQ15TBVJU	FXMQ18TBVJU	FXMQ24TBVJU	FXMQ30TBVJU	FXMQ36TBVJU	FXMQ48TBVJU	FXMQ54TBVJU
Navigation Remote Controller*					BRC1E73		
Simplified Wired Remote Controller*					BRC2A71		
Wireless Remote Controller					BRC4C82		
Remote Sensor Kit					KRCS01-6B		
Group Control Adapter PCB (connects to external BMS)					KRP4A71		

*Optional face plates available to provide a more intuitive user interface and disable specific functions

FXMQ-PBVJU INSTALLATION SPACE



ADDITIONAL INFORMATION

Before purchasing this appliance, read important information about its estimated annual energy consumption, yearly operating cost, or energy efficiency rating that is available from your retailer.

Visit www.daikincomfort.com or www.daikinac.com to learn more.



Our continuing commitment to quality products may mean a change in specifications without notice.

© 2022 **DAIKIN COMFORT TECHNOLOGIES NORTH AMERICA, INC.** · Houston, Texas · USA · www.daikincomfort.com or www.daikinac.com

PF-FXMQ_TBVJU_10-22