

Engineering Data

One Way Blow Cassette Type FXEQ-PVJU

60 Hz

R-410A



Table of Contents

1. Features and Benefits	2
2. Specifications	3
3. Dimensions.....	6
4. Center of Gravity	8
5. Piping Diagrams	11
6. Wiring Diagrams.....	12
7. Electric Characteristics.....	14
8. Safety Devices Setting	14
9. Capacity Tables	15
9.1 Cooling Capacity at Te: 43°F (6°C).....	15
9.2 Heating Capacity.....	15
9.3 Correction Factor for Cooling Capacity at Te: 48°F (9°C).....	15
10. Sound Levels (Reference Data)	16
11. Accessories	28
11.1 Optional Accessories (for Unit)	28

1. Features and Benefits

The unique one way blow cassette is an ideal solution for room with tight ceiling space.

- Low unit height of under 10" above the ceiling makes it ideal for applications with limited recessed ceiling
- Innovative discharge louvers that force air to ground for improved temperature distribution
- Customizable airflow with adjustable vertical and horizontal louvers
- 5 predetermined fan speeds selectable via BRC1E73 controller to optimize comfort airflow
- Built in ventilation knock out allows up to 15% of rated airflow to be pre-treated
- Low energy consumption thanks to the specially designed compact heat exchanger, DC fan motor and drain pump
- Innovative smooth finish, mold resistant decoration panel to minimize dust build up
- Factory installed drain pump with up to 33-7/16" lift
- Customizable auxiliary heat settings to facilitate ON/OFF control



2. Specifications

One way blow cassette type

Model			FXEQ07PVJU	FXEQ09PVJU	
Power supply			1 phase, 60 Hz, 208/230 V	1 phase, 60 Hz, 208/230 V	
★1, ★3 Cooling capacity	Btu/h (kW)		7,500 (2.2)	9,500 (2.8)	
★2, ★3 Heating capacity	Btu/h (kW)		8,500 (2.5)	10,500 (3.1)	
Casing / Color			Galvanized steel plate	Galvanized steel plate	
Dimensions: (H × W × D)		in. (mm)	7-7/8 × 18-1/2 × 33-1/16 (200 × 470 × 840)	7-7/8 × 18-1/2 × 33-1/16 (200 × 470 × 840)	
Coil (cross fin coil)	Rows × Stages × FPI		2 × 14 × 20.5	2 × 14 × 20.5	
	Face area		ft ² (m ²)	1.70 (0.158)	
Fan	Type		Sirocco fan	Sirocco fan	
	Motor output		W	87	
	Air flow rate (dry coil)	Cooling (H/HM/M/ML/L)	cfm (m ³ /min)	212/191/173/155/141 (6.0/5.4/4.9/4.4/4.0)	244/226/205/187/170 (6.9/6.4/5.8/5.3/4.8)
		Heating (H/HM/M/ML/L)	cfm (m ³ /min)	212/198/180/166/148 (6.0/5.6/5.1/4.7/4.2)	254/237/216/198/177 (7.2/6.7/6.1/5.6/5.0)
	Drive		Direct drive	Direct drive	
Heat insulation			Foamed polystyrene/Foamed polyethylene	Foamed polystyrene/Foamed polyethylene	
Sound absorbing thermal insulation material			Foamed polyurethane	Foamed polyurethane	
Drain pump lift		in. (mm)	25 (635)	25 (635)	
★4 Sound pressure level (reference data)	Cooling (H/HM/M/ML/L)	dBA	30/29/28/27/26	32/31/30/29/28	
	Heating (H/HM/M/ML/L)	dBA	33/31/29/28/26	35/33/31/30/28	
Weight		lbs (kg)	37.5 (17)	37.5 (17)	
Piping connections	Liquid pipes	in. (mm)	ϕ1/4 (ϕ6.4) (flare connection)	ϕ1/4 (ϕ6.4) (flare connection)	
	Gas pipes	in. (mm)	ϕ1/2 (ϕ12.7) (flare connection)	ϕ1/2 (ϕ12.7) (flare connection)	
	Drain pipe	in. (mm)	PVC26 (O.D. 1-1/32 (26), I.D. 13/16 (20))	PVC26 (O.D. 1-1/32 (26), I.D. 13/16 (20))	
Refrigerant control			Electronic expansion valve	Electronic expansion valve	
Connectable outdoor unit			R410A VRV series	R410A VRV series	
Standard accessories			Operation and installation manual, Paper pattern for installation, Drain hose sealing material, Sealing material, Accessories bag, Plain washer (M10), C tight cup screw m5 (3 kinds), Wire clamp material, Hose band, Washer fixing material, Antisweat material, Thermal insulation joint, Thermal insulation tube, Inside drain hose	Operation and installation manual, Paper pattern for installation, Drain hose sealing material, Sealing material, Accessories bag, Plain washer (M10), C tight cup screw m5 (3 kinds), Wire clamp material, Hose band, Washer fixing material, Antisweat material, Thermal insulation joint, Thermal insulation tube, Inside drain hose	
Decoration panels (option)	Model		BYEP40AW1	BYEP40AW1	
	Color		Fresh white	Fresh white	
	Dimensions: (H × W × D)		in. (mm)	3-3/16 × 21-5/8 × 37-13/32 (80 × 550 × 950)	3-3/16 × 21-5/8 × 37-13/32 (80 × 550 × 950)
	Air filter		Resin net (with mold resistant)	Resin net (with mold resistant)	
	Weight		lbs (kg)	17.6 (8)	17.6 (8)

Note:

- ★1. Nominal cooling capacities are based on the following conditions:
Return air temperature: 80°FDB (26.7°CDB), 67°F WB (19.4°CWB)
Outdoor temperature: 95°FDB (35.0°CDB)
Equivalent refrigerant piping length: 25 ft (7.6 m) (horizontal)
- ★2. Nominal heating capacities are based on the following conditions:
Return air temperature: 70°FDB (21.1°CDB).
Outdoor temperature: 47°FDB (8.3°CDB), 43°F WB (6.1°CWB)
Equivalent refrigerant piping length: 25 ft (7.6 m) (horizontal)
- ★3. Capacities are net, including a deduction for cooling (an addition for heating) for indoor fan motor heat.
- ★4. Anechoic chamber conversion value, measured under JIS conditions. During actual operation, these values may be higher as a result of installation conditions.

One way blow cassette type

Model			FXEQ12PVJU	FXEQ15PVJU	
Power supply			1 phase, 60 Hz, 208/230 V	1 phase, 60 Hz, 208/230 V	
★1, ★3 Cooling capacity	Btu/h (kW)		12,000 (3.5)	15,000 (4.4)	
★2, ★3 Heating capacity	Btu/h (kW)		13,500 (4.0)	17,000 (5.0)	
Casing / Color			Galvanized steel plate	Galvanized steel plate	
Dimensions: (H × W × D)		in. (mm)	7-7/8 × 18-1/2 × 33-1/16 (200 × 470 × 840)	7-7/8 × 18-1/2 × 33-1/16 (200 × 470 × 840)	
Coil (cross fin coil)	Rows × Stages × FPI		2 × 14 × 20.5	2 × 14 × 20.5 + 1 × 8 × 15.9	
	Face area		ft ² (m ²)	1.70 (0.158)	
Fan	Type		Sirocco fan	Sirocco fan	
	Motor output		W	87	
	Air flow rate (dry coil)	Cooling (H/HM/M/ML/L)	cfm (m ³ /min)	283/265/247/223/194 (8.0/7.5/7.0/6.3/5.5)	346/311/276/247/219 (9.8/8.8/7.8/7.0/6.2)
		Heating (H/HM/M/ML/L)	cfm (m ³ /min)	304/283/261/237/212 (8.6/8.0/7.4/6.7/6.0)	360/329/297/269/240 (10.2/9.3/8.4/7.6/6.8)
	Drive		Direct drive	Direct drive	
Heat insulation			Foamed polystyrene/Foamed polyethylene	Foamed polystyrene/Foamed polyethylene	
Sound absorbing thermal insulation material			Foamed polyurethane	Foamed polyurethane	
Drain pump lift		in. (mm)	25 (635)	25 (635)	
★4 Sound pressure level (reference data)	Cooling (H/HM/M/ML/L)	dBA	35/34/33/32/30	38/37/35/33/31	
	Heating (H/HM/M/ML/L)	dBA	38/36/34/33/31	41/39/37/35/33	
Weight		lbs (kg)	37.5 (17)	39.7 (18)	
Piping connections	Liquid pipes	in. (mm)	φ1/4 (φ6.4) (flare connection)	φ1/4 (φ6.4) (flare connection)	
	Gas pipes	in. (mm)	φ1/2 (φ12.7) (flare connection)	φ1/2 (φ12.7) (flare connection)	
	Drain pipe	in. (mm)	PVC26 (O.D. 1-1/32 (26), I.D. 13/16 (20))	PVC26 (O.D. 1-1/32 (26), I.D. 13/16 (20))	
Refrigerant control			Electronic expansion valve	Electronic expansion valve	
Connectable outdoor unit			R410A VRV series	R410A VRV series	
Standard accessories			Operation and installation manual, Paper pattern for installation, Drain hose sealing material, Sealing material, Accessories bag, Plain washer (M10), C tight cup screw m5 (3 kinds), Wire clamp material, Hose band, Washer fixing material, Antisweat material, Thermal insulation joint, Thermal insulation tube, Inside drain hose	Operation and installation manual, Paper pattern for installation, Drain hose sealing material, Sealing material, Accessories bag, Plain washer (M10), C tight cup screw m5 (3 kinds), Wire clamp material, Hose band, Washer fixing material, Antisweat material, Thermal insulation joint, Thermal insulation tube, Inside drain hose	
Decoration panels (option)	Model		BYEP40AW1	BYEP40AW1	
	Color		Fresh white	Fresh white	
	Dimensions: (H × W × D)		in. (mm)	3-3/16 × 21-5/8 × 37-13/32 (80 × 550 × 950)	3-3/16 × 21-5/8 × 37-13/32 (80 × 550 × 950)
	Air filter		Resin net (with mold resistant)	Resin net (with mold resistant)	
	Weight		lbs (kg)	17.6 (8)	17.6 (8)

Note:

- ★1. Nominal cooling capacities are based on the following conditions:
Return air temperature: 80°FDB (26.7°CDB), 67°FWB (19.4°CWB)
Outdoor temperature: 95°FDB (35.0°CDB)
Equivalent refrigerant piping length: 25 ft (7.6 m) (horizontal)
- ★2. Nominal heating capacities are based on the following conditions:
Return air temperature: 70°FDB (21.1°CDB).
Outdoor temperature: 47°FDB (8.3°CDB), 43°FWB (6.1°CWB)
Equivalent refrigerant piping length: 25 ft (7.6 m) (horizontal)
- ★3. Capacities are net, including a deduction for cooling (an addition for heating) for indoor fan motor heat.
- ★4. Anechoic chamber conversion value, measured under JIS conditions. During actual operation, these values may be higher as a result of installation conditions.

One way blow cassette type

Model			FXEQ18PVJU	FXEQ24PVJU	
Power supply			1 phase, 60 Hz, 208/230 V	1 phase, 60 Hz, 208/230 V	
★1, ★3 Cooling capacity	Btu/h (kW)		18,000 (5.3)	24,000 (7.0)	
★2, ★3 Heating capacity	Btu/h (kW)		20,000 (5.9)	27,000 (7.9)	
Casing / Color			Galvanized steel plate	Galvanized steel plate	
Dimensions: (H × W × D)		in. (mm)	7-7/8 × 18-1/2 × 48-13/16 (200 × 470 × 1,240)	7-7/8 × 18-1/2 × 48-13/16 (200 × 470 × 1,240)	
Coil (cross fin coil)	Rows × Stages × FPI		2 × 14 × 20.5 + 1 × 8 × 15.9	2 × 14 × 20.5 + 1 × 8 × 15.9	
	Face area		ft ² (m ²)	2.70 (0.251)	
Fan	Type		Sirocco fan	Sirocco fan	
	Motor output		W	117	
	Air flow rate (dry coil)	Cooling (H/HM/M/ML/L)	cfm (m ³ /min)	441/403/367/336/307 (12.5/11.4/10.4/9.5/8.7)	530/481/431/389/346 (15.0/13.6/12.2/11.0/9.8)
		Heating (H/HM/M/ML/L)	cfm (m ³ /min)	495/452/410/378/346 (14.0/12.8/11.6/10.7/9.8)	597/541/481/435/389 (16.9/15.3/13.6/12.3/11.0)
	Drive			Direct drive	Direct drive
Heat insulation			Foamed polystyrene/Foamed polyethylene	Foamed polystyrene/Foamed polyethylene	
Sound absorbing thermal insulation material			Foamed polyurethane	Foamed polyurethane	
Drain pump lift		in. (mm)	25 (635)	25 (635)	
★4 Sound pressure level (reference data)	Cooling (H/HM/M/ML/L)	dBA	38/37/35/33/31	43/41/39/37/35	
	Heating (H/HM/M/ML/L)	dBA	41/39/37/36/34	46/44/42/40/38	
Weight		lbs (kg)	50.7 (23)	50.7 (23)	
Piping connections	Liquid pipes	in. (mm)	φ1/4 (φ6.4) (flare connection)	φ3/8 (φ9.5) (flare connection)	
	Gas pipes	in. (mm)	φ1/2 (φ12.7) (flare connection)	φ5/8 (φ15.9) (flare connection)	
	Drain pipe	in. (mm)	PVC26 (O.D. 1-1/32 (26), I.D. 13/16 (20))	PVC26 (O.D. 1-1/32 (26), I.D. 13/16 (20))	
Refrigerant control			Electronic expansion valve	Electronic expansion valve	
Connectable outdoor unit			R410A VRV series	R410A VRV series	
Standard accessories			Operation and installation manual, Paper pattern for installation, Drain hose sealing material, Sealing material, Accessories bag, Plain washer (M10), C tight cup screw m5 (3 kinds), Wire clamp material, Hose band, Washer fixing material, Antisweat material, Thermal insulation joint, Thermal insulation tube, Inside drain hose	Operation and installation manual, Paper pattern for installation, Drain hose sealing material, Sealing material, Accessories bag, Plain washer (M10), C tight cup screw m5 (3 kinds), Wire clamp material, Hose band, Washer fixing material, Antisweat material, Thermal insulation joint, Thermal insulation tube, Inside drain hose	
Decoration panels (option)	Model		BYEP63AW1	BYEP63AW1	
	Color		Fresh white	Fresh white	
	Dimensions: (H × W × D)		in. (mm)	3-3/16 × 21-5/8 × 53-5/32 (80 × 550 × 1,350)	3-3/16 × 21-5/8 × 53-5/32 (80 × 550 × 1,350)
	Air filter			Resin net (with mold resistant)	Resin net (with mold resistant)
	Weight		lbs (kg)	22 (10)	22 (10)

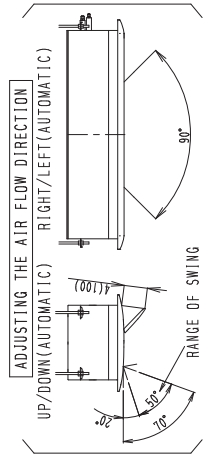
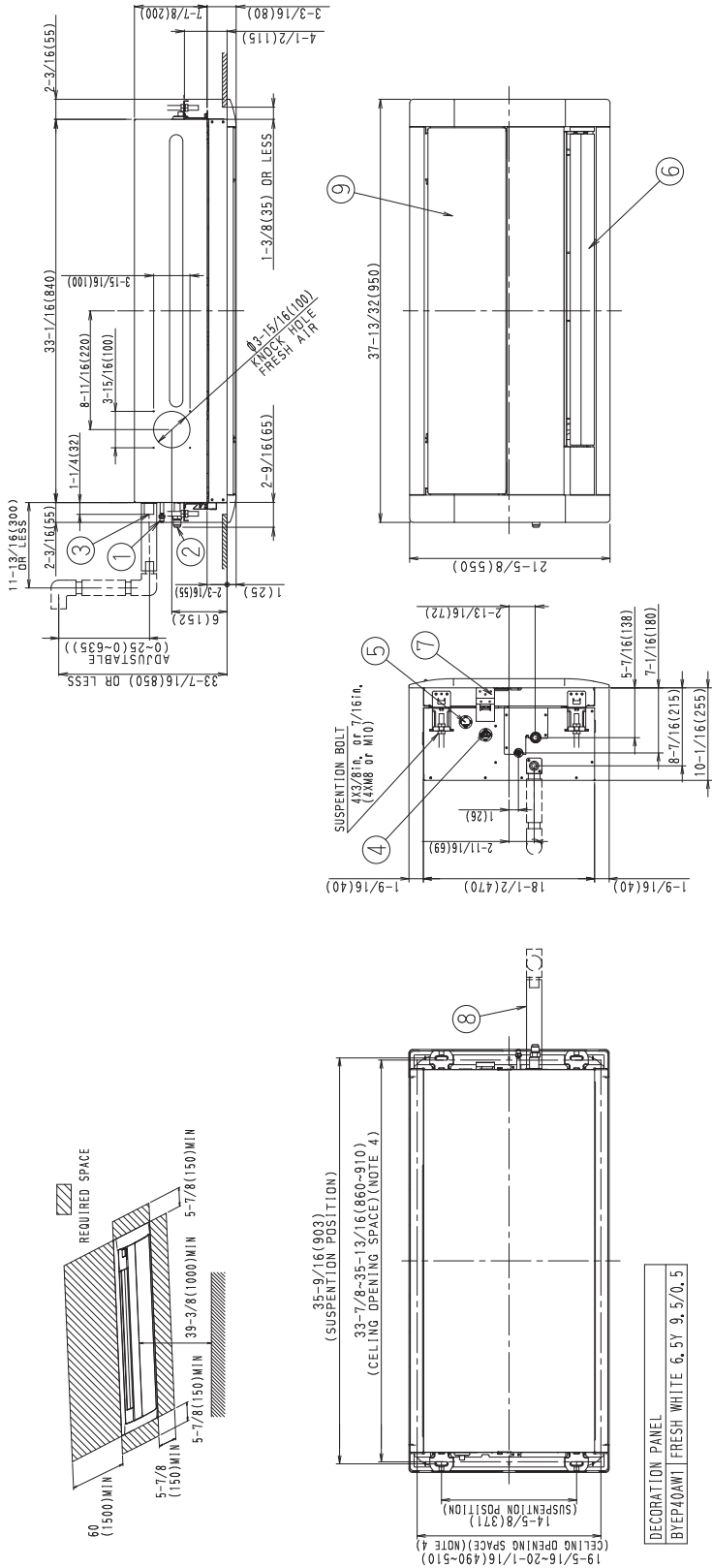
Note:

- ★1. Nominal cooling capacities are based on the following conditions:
Return air temperature: 80°FDB (26.7°CDB), 67°FWB (19.4°CWB)
Outdoor temperature: 95°FDB (35.0°CDB)
Equivalent refrigerant piping length: 25 ft (7.6 m) (horizontal)
- ★2. Nominal heating capacities are based on the following conditions:
Return air temperature: 70°FDB (21.1°CDB).
Outdoor temperature: 47°FDB (8.3°CDB), 43°FWB (6.1°CWB)
Equivalent refrigerant piping length: 25 ft (7.6 m) (horizontal)
- ★3. Capacities are net, including a deduction for cooling (an addition for heating) for indoor fan motor heat.
- ★4. Anechoic chamber conversion value, measured under JIS conditions. During actual operation, these values may be higher as a result of installation conditions.

3. Dimensions

FXEQ07-15PVJU

Unit: in. (mm)



ITEM	PART NAME	REMARK
9	AIR-INLET	10ø 1(25) (OUTLET)
8	DRAIN HOSE (ACCESSORY)	
7	FIXTURE	
6	AIR-OUTLET	
5	CONNECTION WIRING / REMOTE CONTROL WIRING CONNECTION	
4	POWER-SOURCE WIRING AND A UNIT WIRING CONNECTION	
3	DRAIN PIPE CONNECTION	VPC26 (ØD) ø1(26)/10 ø13/16(20)
2	GAS PIPE CONNECTION	ø1/2(12.7) (FLARE CONNECTION)
1	LIQUID PIPE CONNECTION	ø1/4(6.4) (FLARE CONNECTION)

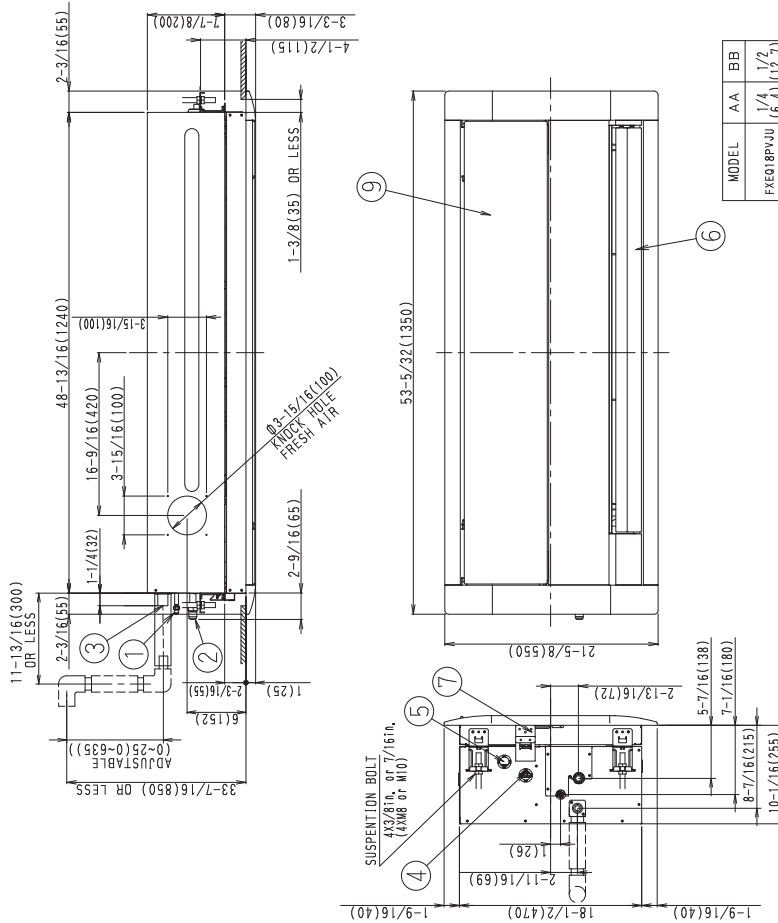
DECORATION PANEL
BVEP40AW1 FRESH WHITE 6.5Y 9.5/0.5

- Note:
- Location of unit's Name Plate
 -Unit body : on the control box cover.
 -Decoration panel : on the panel frame at the middle of the inlet.
 - When installing an optional accessory, refer to the installation drawings.
 - When it may exceed 86°F (30°C) and RH 80% in the ceiling or fresh air is inducted into the ceiling, an additional insulation (Thickness 3/8in. (10mm) or more of glasswool or polyethylene form) is required.
 - Make sure the spacing between the ceiling and the cassette is no more than 1-3/8in. (35mm).
 MAX ceiling opening: 35-13/16in. X 20-1/16in. (910mm X 510mm).

3D098618

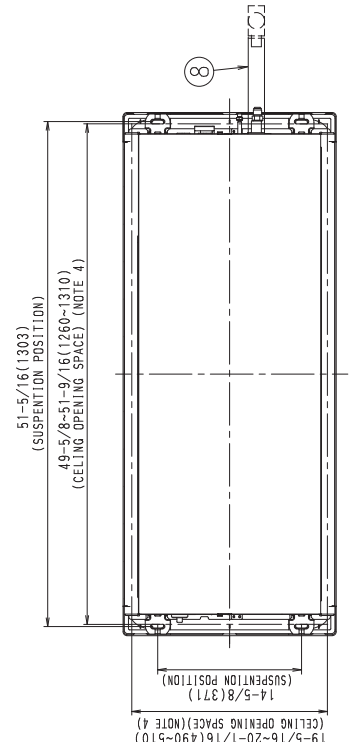
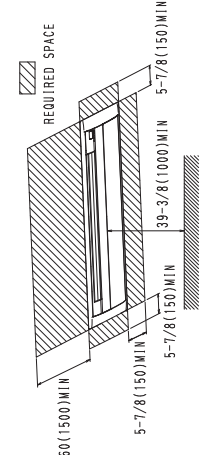
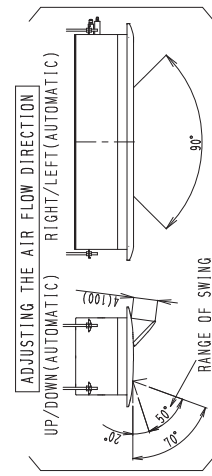
FXEQ18-24PVJU

Unit: in. (mm)



MODEL	AA	BB
FXEQ18PVJU	1/4	1/2
	(6.4)	(12.7)
FXEQ24PVJU	3/8	5/8
	(9.5)	(15.9)

ITEM	PART NAME	REMARK
9	AIR-INLET	
8	DRAIN HOSE (ACCESSORY)	Øφ 1/2" (OUTLET)
7	EXHAUSE	
6	AIR-OUTLET	
5	CONNECTION WIRING / REMOTE CONTROL WIRING CONNECTION	
4	POWER-SOURCE WIRING AND A UNIT WIRING CONNECTION	
3	DRAIN PIPE CONNECTION	VPCT1 (65) (Øφ 1/2") / Øφ 13/16 (20)
2	GAS PIPE CONNECTION	φ BR/FLARE CONNECTION
1	LIQUID PIPE CONNECTION	φ BR/FLARE CONNECTION



DECORATION PANEL
BYEP63AWT FRESH WHITE 6.5Y 9.5/0.5

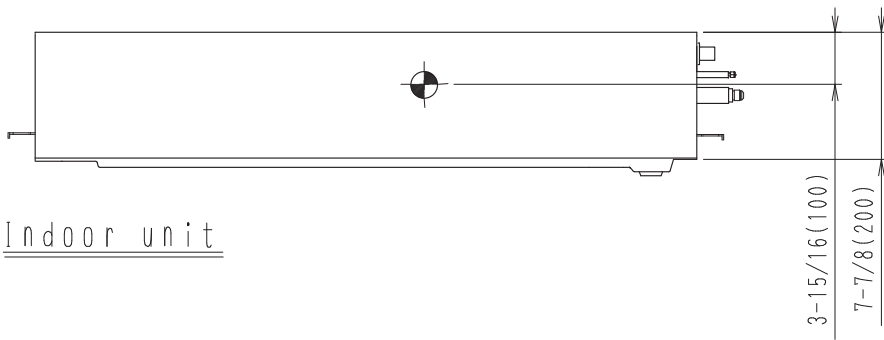
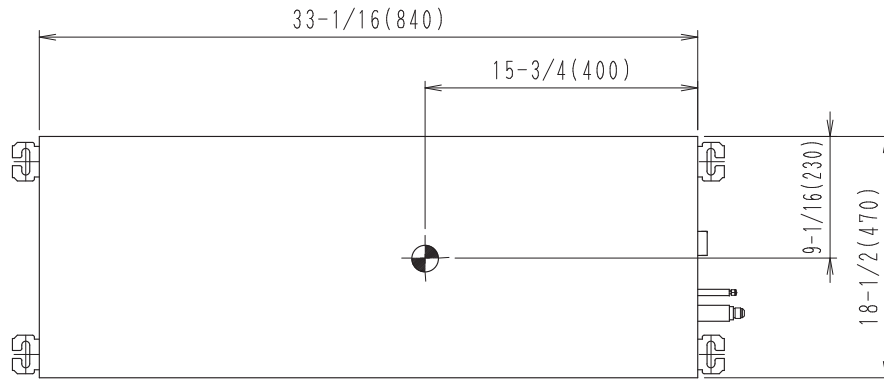
- Note:
- Location of unit's Name Plate
-Unit body : on the control box cover,
-Decoration panel : on the panel frame at the middle of the inlet,
 - When installing an optional accessory, refer to the installation drawings,
 - When it may exceed 86°F (30°C) and RH 80% in the ceiling or fresh air is inducted into the ceiling, an additional insulation (Thickness 3/8in. (10mm) or more of glasswool or polyethylene form) is required,
 - Make sure the spacing between the ceiling and the cassette is no more than 1-3/8in. (35mm), MAX ceiling opening: 5-9/16in. × 20-1/16in. (1310mm × 510mm),

3D098617

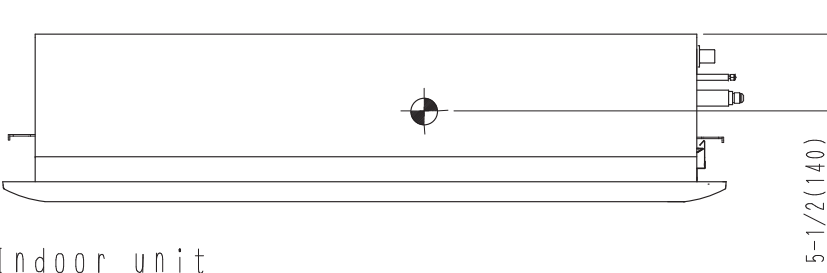
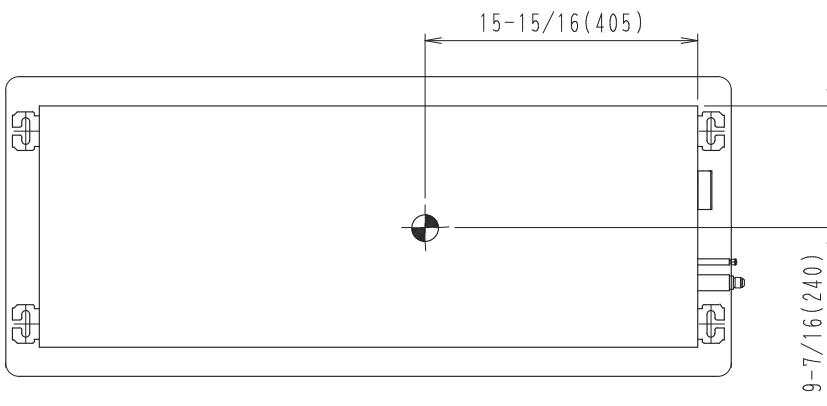
4. Center of Gravity

FXEQ07-12PVJU

Unit. in. (mm)



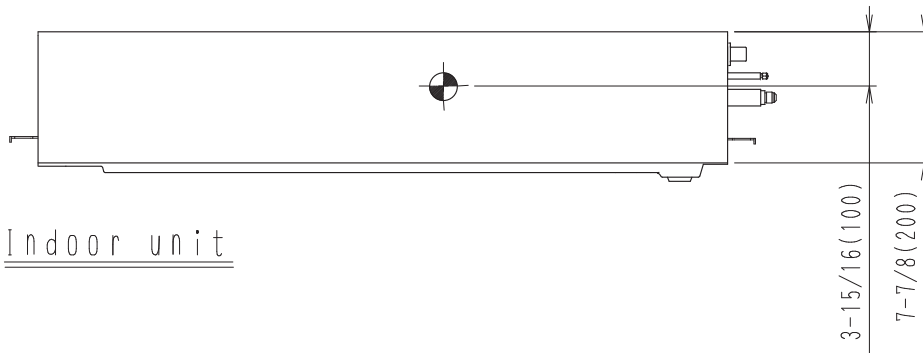
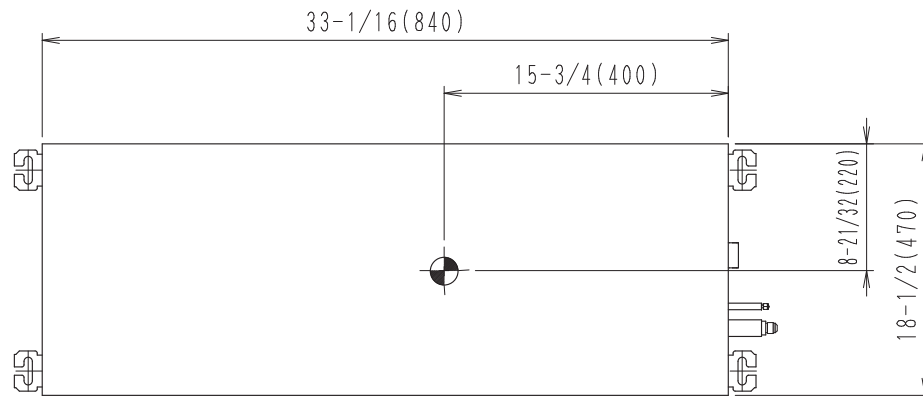
Indoor unit



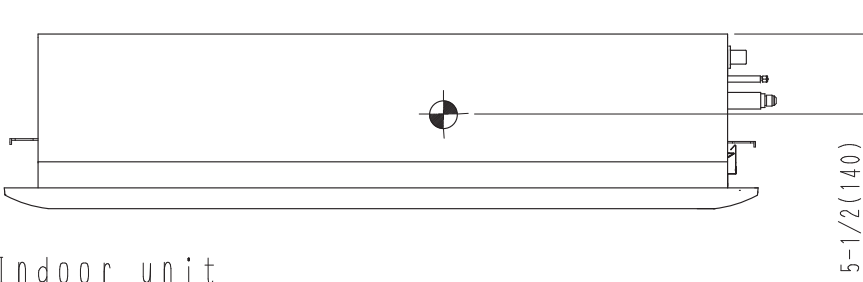
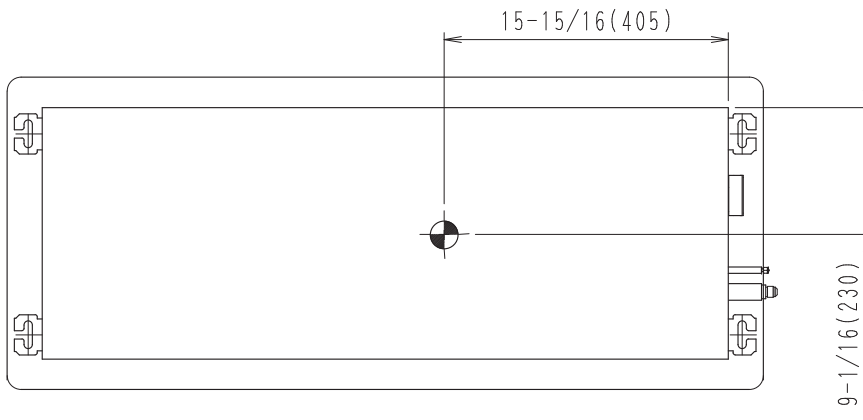
Indoor unit
With BYEP40AW1

FXEQ15PVJU

Unit. in. (mm)



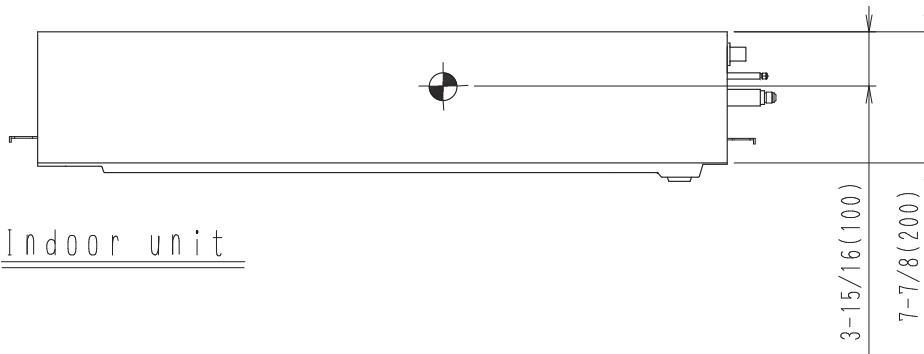
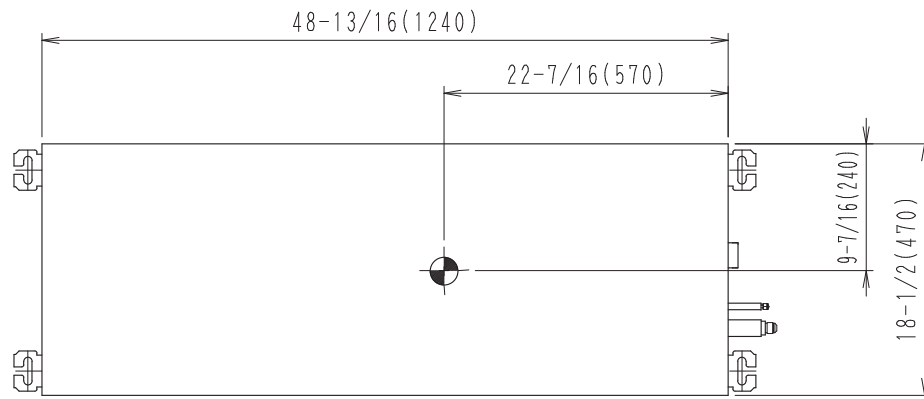
Indoor unit



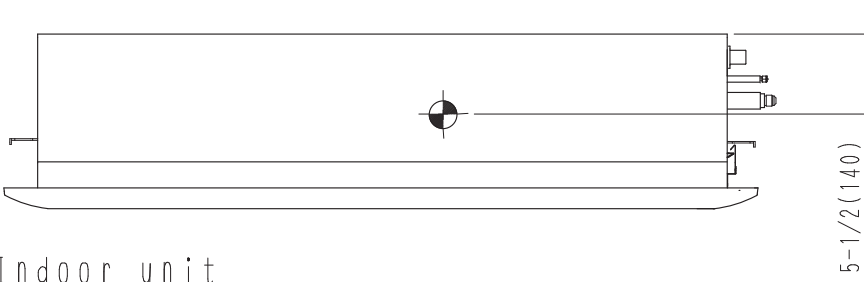
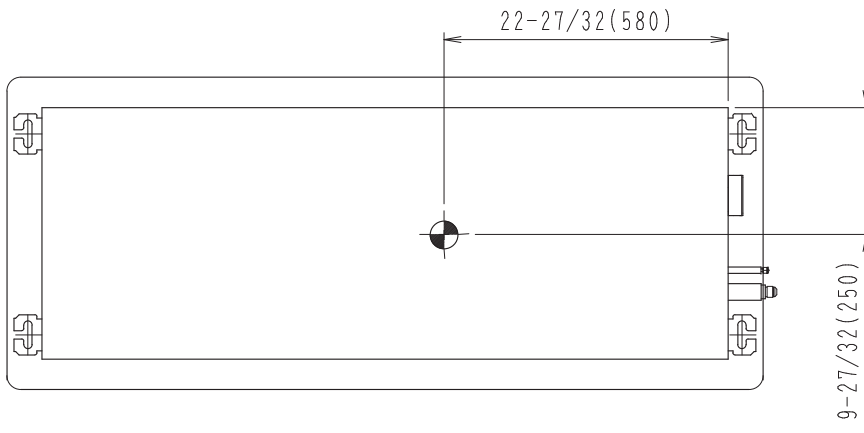
Indoor unit
With BYEP40AW1

FXEQ18-24PVJU

Unit. in. (mm)



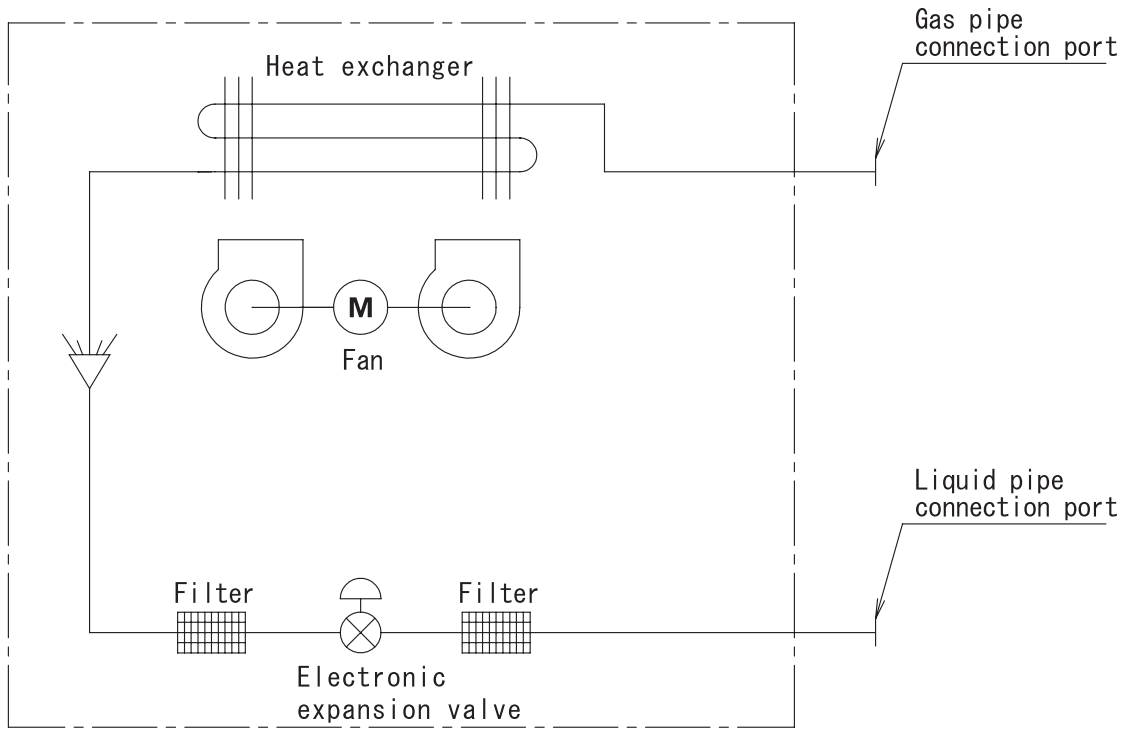
Indoor unit



Indoor unit
With BYEP63AW1

5. Piping Diagrams

FXEQ07-24PVJU



C: 4D034245R

Unit: in. (mm)

Model	Gas	Liquid
FXEQ07PVJU FXEQ09PVJU FXEQ12PVJU FXEQ15PVJU FXEQ18PVJU	$\phi 1/2$ ($\phi 12.7$)	$\phi 1/4$ ($\phi 6.4$)
FXEQ24PVJU	$\phi 5/8$ ($\phi 15.9$)	$\phi 3/8$ ($\phi 9.5$)

FXEQ07-24PVJU

INDOOR UNIT	
A1P	PRINTED CIRCUIT BOARD
C105	CAPACITOR
F1U	FUSE (T, 3.15 A, 250 V)
HAP	FLASHING LAMP (SERVICE MONITOR-GREEN)
M1F	MOTOR (INDOOR UNIT FAN)
M1P	MOTOR (DRAIN PUMP)
M1S·M2S	MOTOR (HORIZONTAL AND VERTICAL SWING FLAPS)
M3S·M4S	MOTOR (SUCTION SWING FLAP)
X1A·X2A·X3A	CONNECTOR
R1T	THERMISTOR (AIR)
R2T·R3T	THERMISTOR (HEAT EXCHANGER)
S1L	FLOAT SWITCH
V1R	DIODE BRIDGE
X1M	TERMINAL BLOCK (OPERATE)
X2M	TERMINAL BLOCK (POWER SUPPLY)
Y1E	ELECTRONIC EXPANSION VALVE
Z1C	FERRITE CORE
PS	SWITCHING POWER SUPPLY
Z1F	NOISE FILTER
CONNECTOR FOR OPTIONAL PARTS	
X33A	CONNECTOR (FOR WIRING)
X35A	CONNECTOR (ADAPTOR)

C: 3D098557A

7. Electric Characteristics

FXEQ07-24PVJU

Model	Power supply					IFM		Input (W)	
	Hz	Volts	Voltage range	MCA	MOP	kW	FLA	Cooling	Heating
FXEQ07PVJU	60	208/230 V	Max. 253 V Min. 187 V	0.3	15	0.087	0.2	26	22
FXEQ09PVJU				0.4	15	0.087	0.3	27	23
FXEQ12PVJU				0.4	15	0.087	0.3	34	30
FXEQ15PVJU				0.5	15	0.087	0.4	46	42
FXEQ18PVJU				0.5	15	0.117	0.4	48	44
FXEQ24PVJU				0.7	15	0.117	0.5	67	63

Symbol:

MCA: Min. Circuit Amps (A)
MOP: Max. Overcurrent Protective Device (A)
kW: Fan Motor Rated Output (kW)
FLA: Full Load Amps (A)
IFM: Indoor Fan Motor

Note:

- Voltage range
Units are designed to operate only at the rated voltage provided in the table above.
- Maximum allowable voltage unbalance between phase is 2%.
- MCA/MOP
 $MCA = 1.25 \times FLA$
 $MOP \leq 4 \times FLA$
(Next lower standard fuse rating. Min. 15 A)
- Select wire size based on the MCA.

C: 4D098415A

8. Safety Devices Setting

Model		FXEQ07PVJU	FXEQ09PVJU	FXEQ12PVJU	FXEQ15PVJU	FXEQ18PVJU	FXEQ24PVJU
Printed circuit board fuse	A1P	250 V, 3.15 A	250 V, 3.15 A	250 V, 3.15 A	250 V, 3.15 A	250 V, 3.15 A	250 V, 3.15 A
Fan motor thermal protector	°F (°C)	OFF: 223±9 (106±5) ON: 205±27 (96±15)	OFF: 223±9 (106±5) ON: 205±27 (96±15)	OFF: 223±9 (106±5) ON: 205±27 (96±15)	OFF: 223±9 (106±5) ON: 205±27 (96±15)	OFF: 223±9 (106±5) ON: 205±27 (96±15)	OFF: 223±9 (106±5) ON: 205±27 (96±15)

C: 4D098709

9. Capacity Tables

9.1 Cooling Capacity at Te: 43°F (6°C)

Model	Indoor air temp. °FWB (°CWB) (Te: 43°F (6°C))											
	61 (16.1)		64 (17.8)		67 (19.4)		70 (21.1)		72 (22.2)		75 (23.9)	
	TC	SHC	TC	SHC	TC	SHC	TC	SHC	TC	SHC	TC	SHC
	MBH	MBH	MBH	MBH	MBH	MBH	MBH	MBH	MBH	MBH	MBH	MBH
FXEQ07PVJU	5.9	4.9	6.7	5.4	7.5	5.8	7.6	5.9	7.8	5.4	7.9	5.1
FXEQ09PVJU	7.5	6.2	8.5	6.9	9.5	7.1	9.7	7.3	9.8	6.8	10.0	6.3
FXEQ12PVJU	9.5	7.5	10.7	8.2	12.0	8.3	12.2	8.8	12.4	8.4	12.6	8.0
FXEQ15PVJU	11.8	9.2	13.4	9.9	15.0	10.7	15.3	10.5	15.5	10.2	15.8	9.5
FXEQ18PVJU	14.2	11.1	16.1	12.1	18.0	12.9	18.4	12.9	18.6	12.2	18.9	11.9
FXEQ24PVJU	19.0	14.7	21.5	15.9	24.0	16.9	24.5	16.7	24.8	16.1	25.3	15.5

TC: Total capacity: MBH
 SHC: Sensible heat capacity: MBH

Note:

1. These capacity tables can be used when selecting a **VRV** indoor unit. The actual capacity of the **VRV** system depends on factors such as the selected model of outdoor units, outdoor air temperature and piping length. Please confirm that the corrected capacity of the **VRV** system satisfies the required heat load.
2. shows rated condition.

CA15A633

9.2 Heating Capacity

Model	Indoor air temp. °FDB (°CDB) (Tc: 115°F (46°C))											
	62 (16.7)		65 (18.3)		68 (20.0)		70 (21.1)		72 (22.2)		75 (23.9)	
	TC	TC	TC	TC	TC	TC	TC	TC	TC	TC	TC	TC
	MBH	MBH	MBH	MBH	MBH	MBH	MBH	MBH	MBH	MBH	MBH	MBH
FXEQ07PVJU	9.9	9.3	8.8	8.5	8.2	7.7						
FXEQ09PVJU	12.3	11.5	10.9	10.5	10.1	9.5						
FXEQ12PVJU	15.8	14.8	14.0	13.5	13.0	12.3						
FXEQ15PVJU	19.2	18.0	17.1	16.5	15.9	15.0						
FXEQ18PVJU	23.3	21.9	20.7	20.0	19.3	18.1						
FXEQ24PVJU	31.5	29.5	28.0	27.0	26.0	24.5						

TC: Total capacity: MBH

Note:

1. These capacity tables can be used when selecting a **VRV** indoor unit. The actual capacity of the **VRV** system depends on factors such as the selected model of outdoor units, outdoor air temperature and piping length. Please confirm that the corrected capacity of the **VRV** system satisfies the required heat load.
2. shows rated condition.

CA15A633

9.3 Correction Factor for Cooling Capacity at Te: 48°F (9°C)

Refer to the correction factor table below when a mini-split indoor unit is connected to a **VRV** Heat Pump system using a Branch Port box.

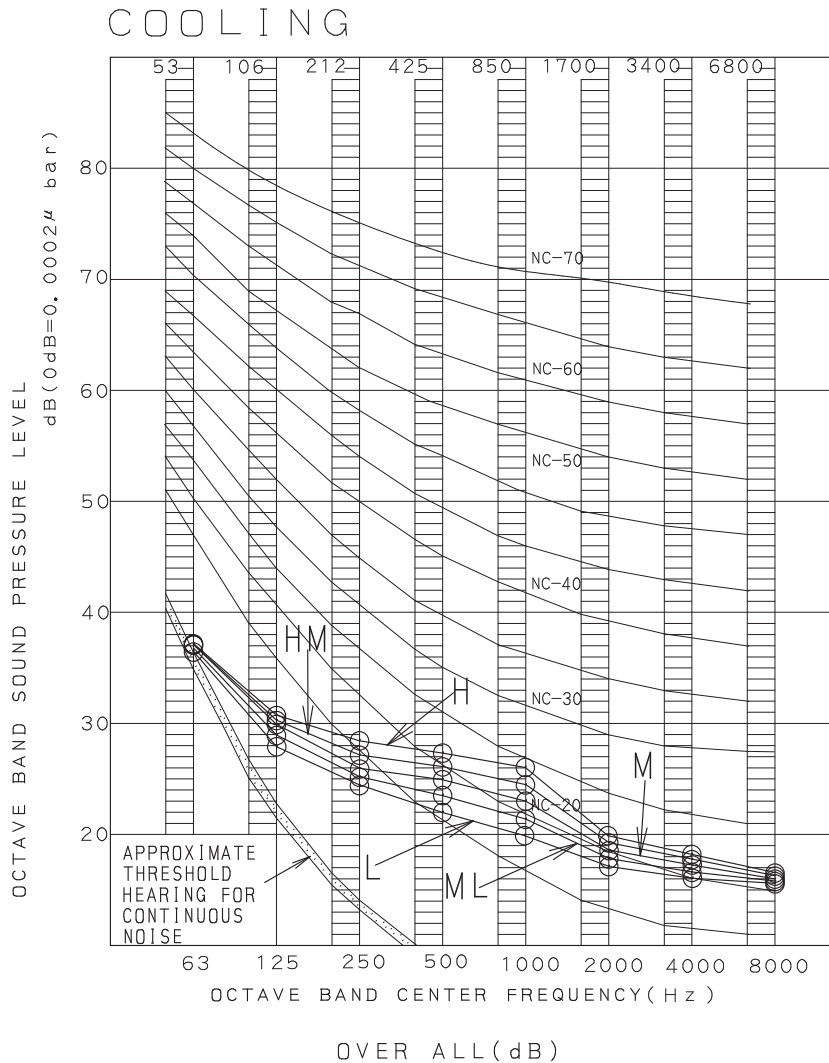
Model	Indoor air temp. °FWB (°CWB) (Te: 48°F (9°C))													
	57 (13.9)		61 (16.1)		64 (17.8)		67 (19.4)		70 (21.1)		72 (22.2)		75 (23.9)	
	TC	SHF	TC	SHF	TC	SHF	TC	SHF	TC	SHF	TC	SHF	TC	SHF
FXEQ07PVJU	0.71	1.02	0.70	1.13	0.71	1.18	0.73	1.15	0.76	1.12	0.79	1.08	0.82	1.06
FXEQ09PVJU	0.72	1.00	0.71	1.11	0.71	1.18	0.73	1.15	0.75	1.13	0.79	1.09	0.82	1.06
FXEQ12PVJU	0.71	1.00	0.73	1.08	0.71	1.18	0.73	1.16	0.75	1.13	0.78	1.09	0.81	1.07
FXEQ15PVJU	0.72	1.01	0.71	1.12	0.71	1.18	0.74	1.14	0.76	1.12	0.79	1.08	0.82	1.06
FXEQ18PVJU	0.69	1.09	0.68	1.19	0.73	1.15	0.76	1.12	0.78	1.10	0.81	1.07	0.83	1.05
FXEQ24PVJU	0.80	1.09	0.79	1.19	0.73	1.15	0.75	1.13	0.77	1.10	0.81	1.07	0.83	1.05

TC: Total capacity
 SHF: Sensible heat factor

CA14A307B

10.Sound Levels (Reference Data)

FXEQ07PVJU (cooling)



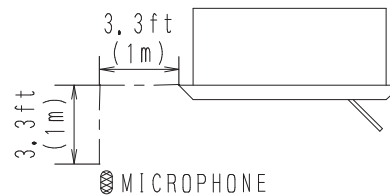
SCALE	H	HM	M	ML	L
A	30	29	28	27	26

MEASURING PLACE : ANECHOIC CHAMBER
B. G. N IS ALREADY RECTIFIED

OPERATING CONDITIONS

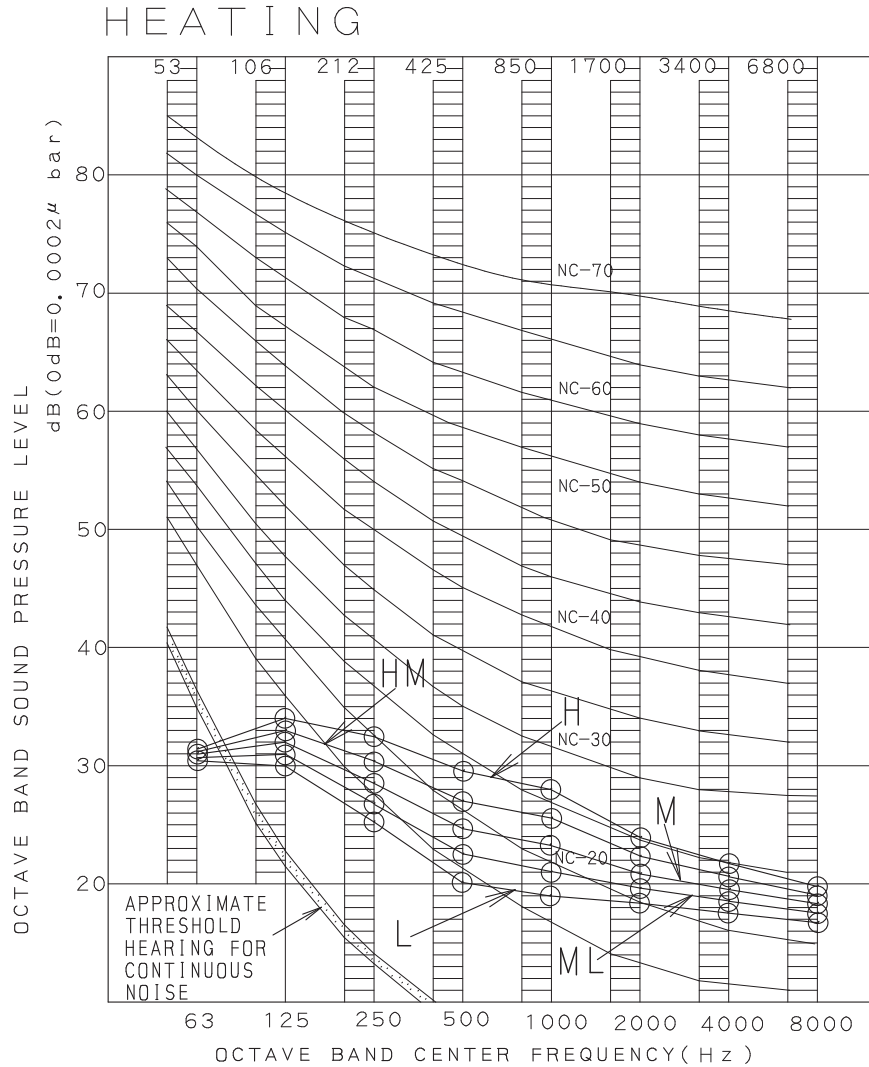
POWER SOURCE	208/230V	60Hz
RETURN AIR	80.0 °F (26.7 °C)	DB
COOLING	67.0 °F (19.4 °C)	WB
OUTDOOR	95.0 °F (35.0 °C)	DB
	75.0 °F (23.9 °C)	WB

LOCATION OF MICROPHONE



NOTE)1. Operation noise differs with operation and ambient conditions.

FXEQ07PVJU (heating)



OVER ALL (dB)

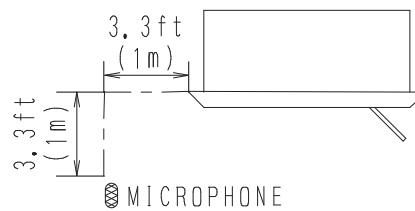
SCALE	H	HM	M	ML	L
A	33	31	29	28	26

MEASURING PLACE : ANECHOIC CHAMBER
B. G. N IS ALREADY RECTIFIED

OPERATING CONDITIONS

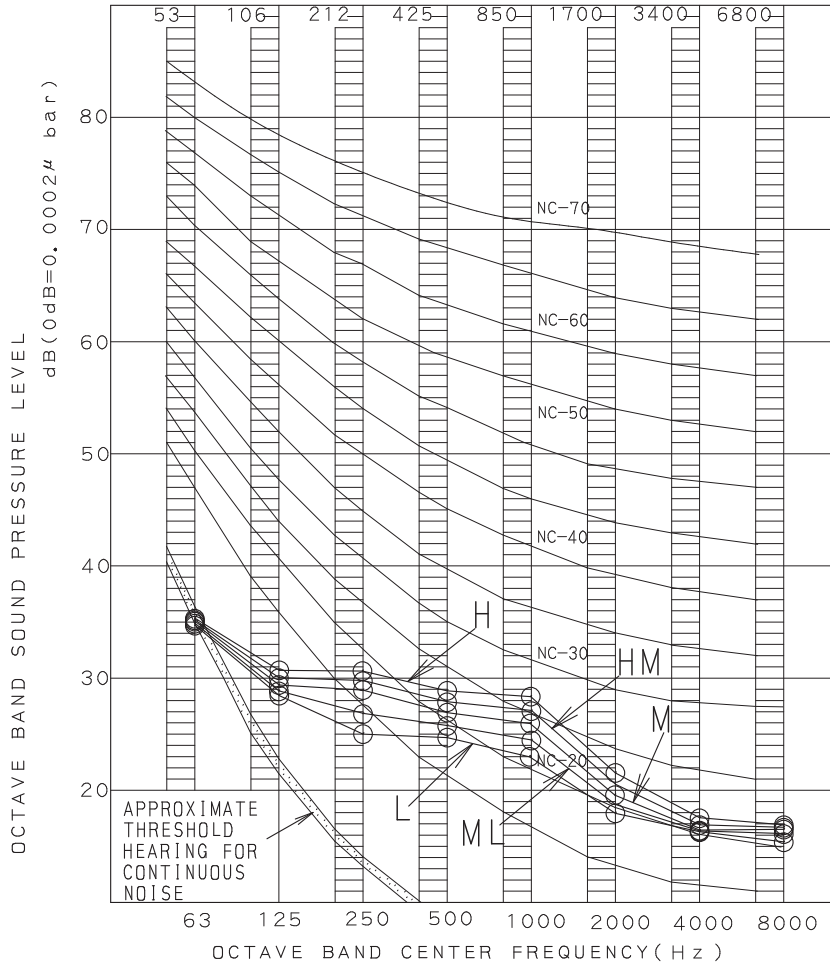
POWER SOURCE		208/230V	60Hz
HEATING	RETURN AIR:	70.0 °F (21.1 °C)	DB
		60.0 °F (15.6 °C)	WB
	OUTDOOR	: 47.0 °F (8.3 °C)	DB
		43.0 °F (6.1 °C)	WB

LOCATION OF MICROPHONE



FXEQ09PVJU (cooling)

COOLING



OVER ALL (dB)

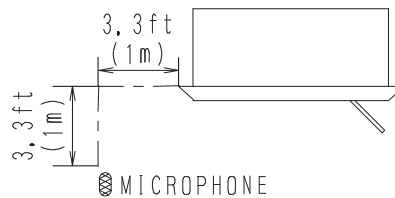
SCALE	H	HM	M	ML	L
A	32	31	30	29	28

MEASURING PLACE : ANECHOIC CHAMBER
B. G. N IS ALREADY RECTIFIED

OPERATING CONDITIONS

POWER SOURCE	208/230V	60Hz
RETURN AIR:	80.0 °F (26.7 °C)	DB
COOLING	67.0 °F (19.4 °C)	WB
OUTDOOR	: 95.0 °F (35.0 °C)	DB
	75.0 °F (23.9 °C)	WB

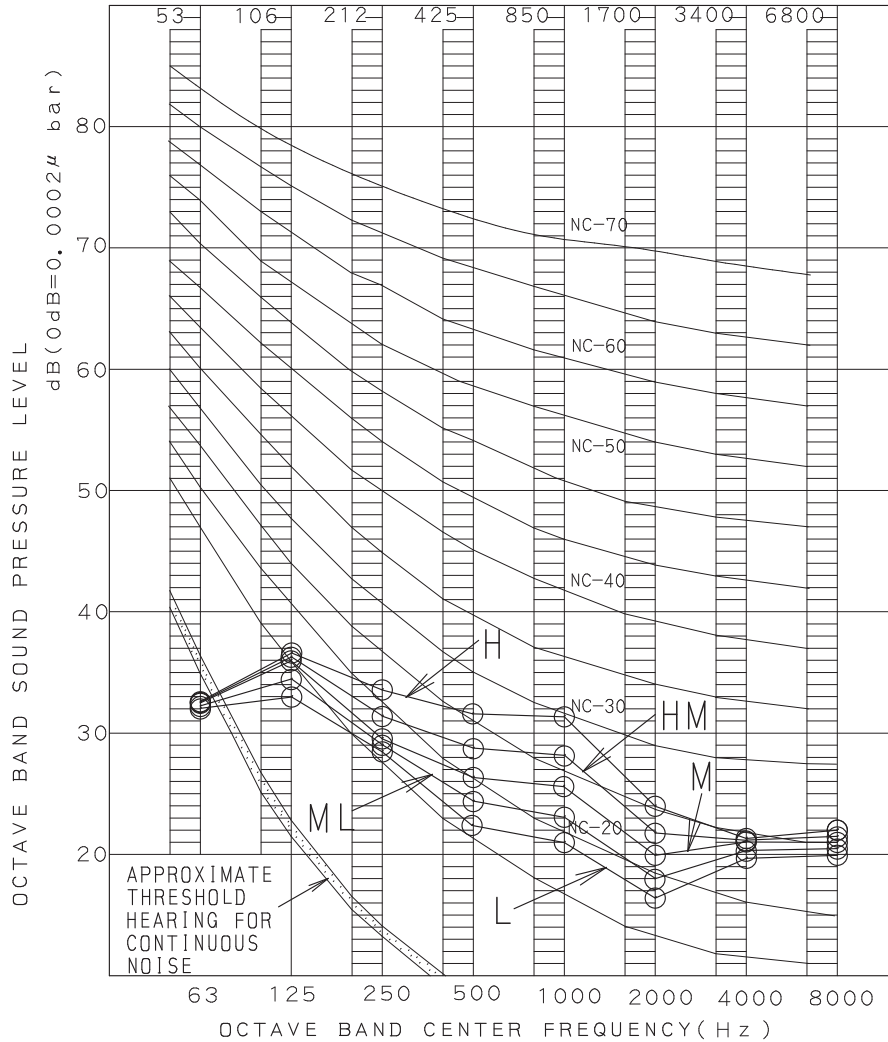
LOCATION OF MICROPHONE



NOTE)1. Operation noise differs with operation and ambient conditions.

FXEQ09PVJU (heating)

HEATING



OVER ALL (dB)

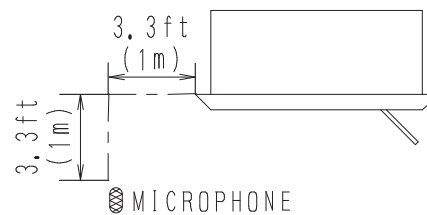
SCALE	H	HM	M	ML	L
A	35	33	31	30	28

MEASURING PLACE : ANECHOIC CHAMBER
 B. G. N IS ALREADY RECTIFIED

OPERATING CONDITIONS

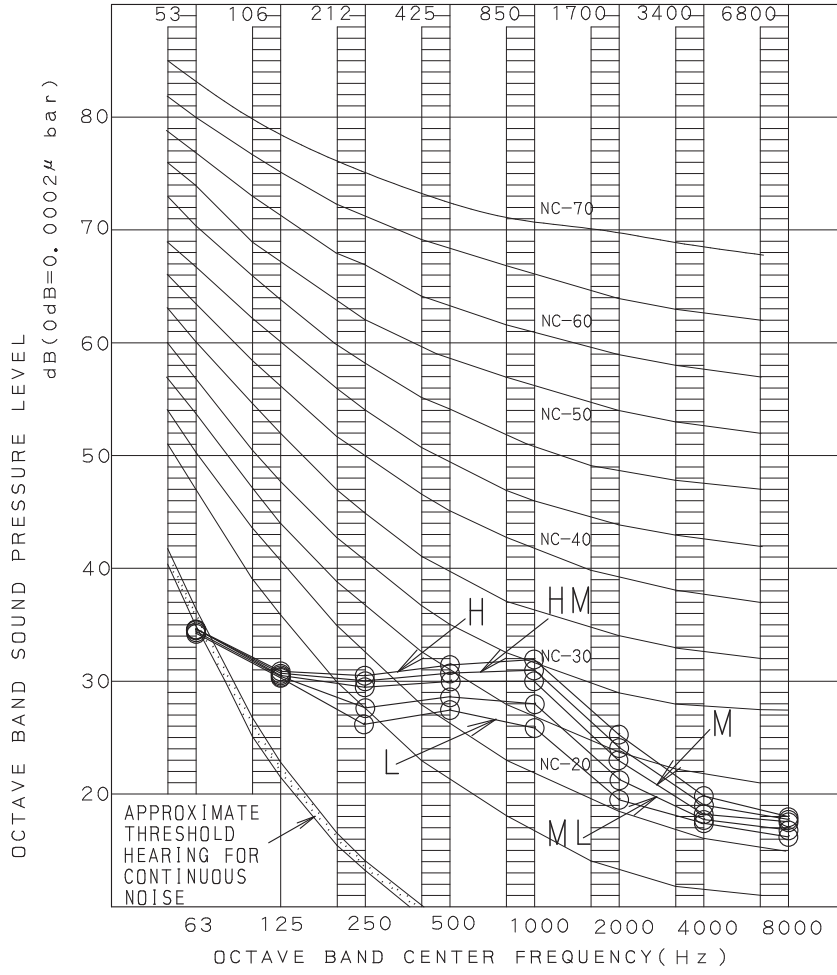
POWER SOURCE	208/230V	60Hz
RETURN AIR:	70.0 °F (21.1 °C)	DB
HEATING	60.0 °F (15.6 °C)	WB
OUTDOOR	47.0 °F (8.3 °C)	DB
	43.0 °F (6.1 °C)	WB

LOCATION OF MICROPHONE



FXEQ12PVJU (cooling)

COOLING



OVER ALL (dB)

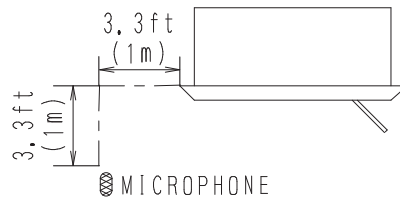
SCALE	H	HM	M	ML	L
A	35	34	33	32	30

MEASURING PLACE : ANECHOIC CHAMBER
B, G, N IS ALREADY RECTIFIED

OPERATING CONDITIONS

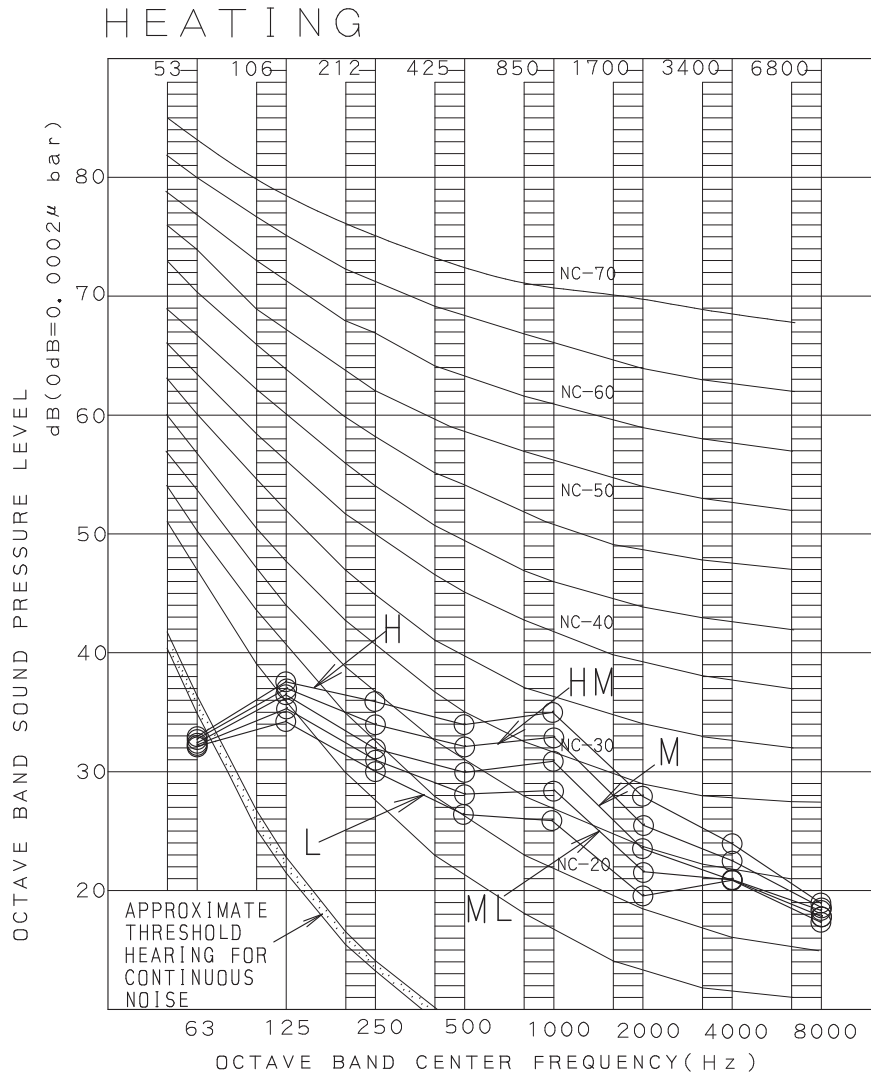
POWER SOURCE	208/230V	60Hz
RETURN AIR	80.0 °F (26.7 °C)	DB
COOLING	67.0 °F (19.4 °C)	WB
OUTDOOR	95.0 °F (35.0 °C)	DB
	75.0 °F (23.9 °C)	WB

LOCATION OF MICROPHONE



NOTE)1. Operation noise differs with operation and ambient conditions.

FXEQ12PVJU (heating)



OVER ALL (dB)

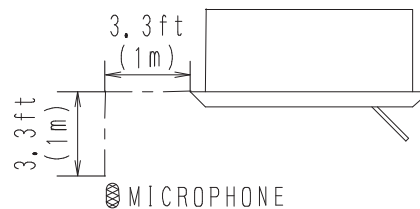
SCALE	H	HM	M	ML	L
A	38	36	34	33	31

MEASURING PLACE : ANECHOIC CHAMBER
B. G. N IS ALREADY RECTIFIED

OPERATING CONDITIONS

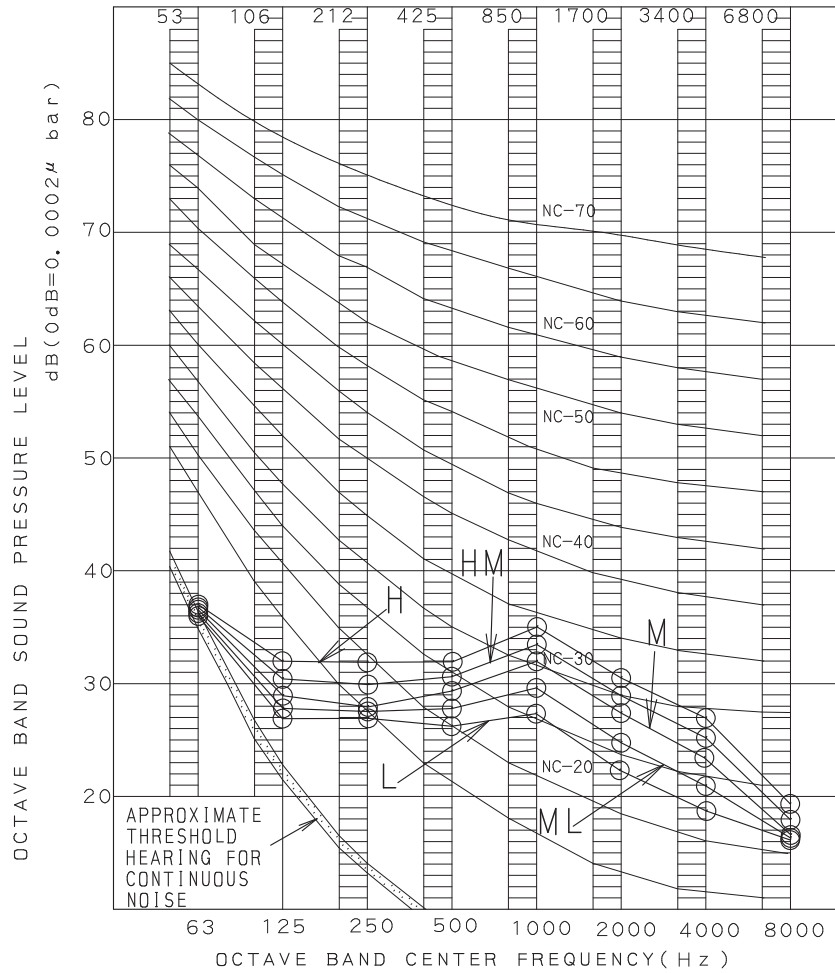
POWER SOURCE		208/230V	60Hz
HEATING	RETURN AIR:	70.0 °F (21.1 °C)	DB
		60.0 °F (15.6 °C)	WB
	OUTDOOR	: 47.0 °F (8.3 °C)	DB
		43.0 °F (6.1 °C)	WB

LOCATION OF MICROPHONE



FXEQ15PVJU (cooling)

COOLING



OVER ALL (dB)

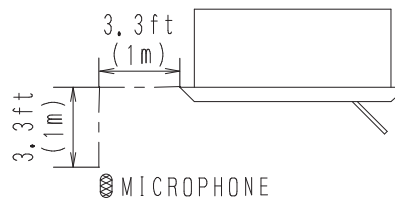
SCALE	H	HM	M	ML	L
A	38	37	35	33	31

MEASURING PLACE : ANECHOIC CHAMBER
B, G, N IS ALREADY RECTIFIED

OPERATING CONDITIONS

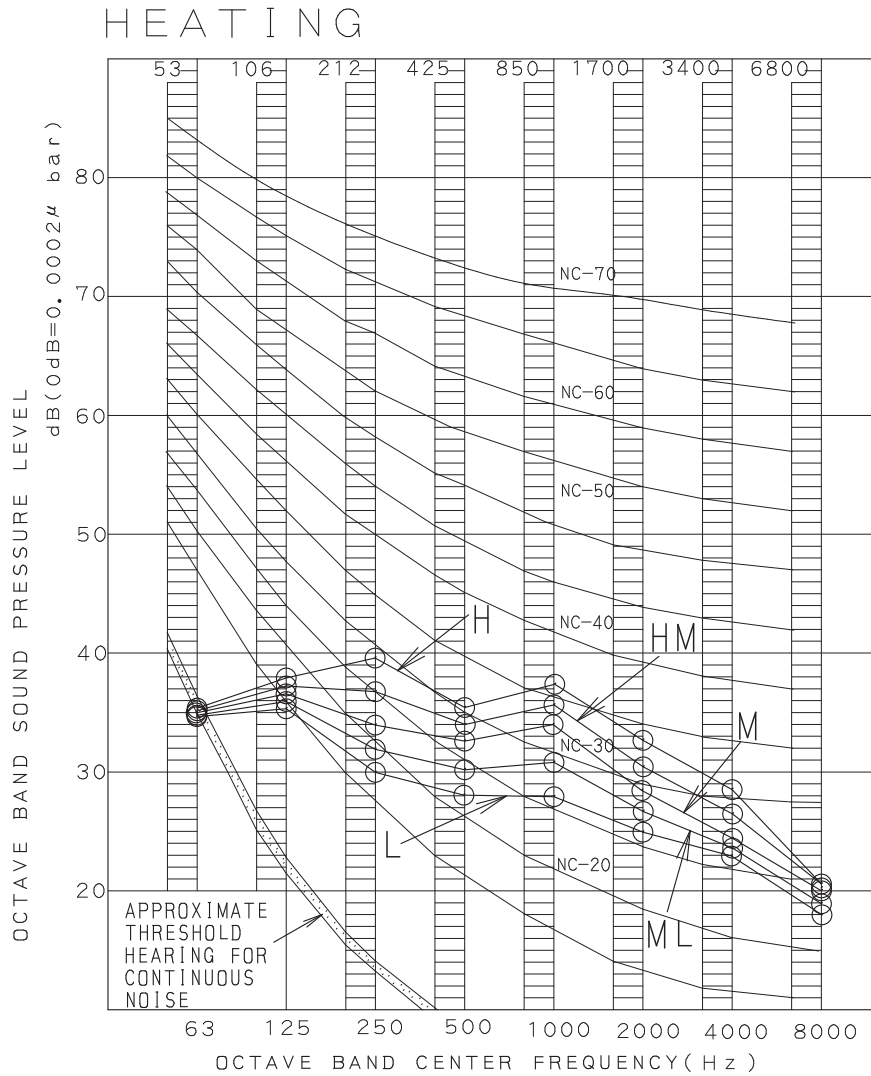
POWER SOURCE	208/230V	60Hz
RETURN AIR:	80.0 °F (26.7 °C)	DB
COOLING	67.0 °F (19.4 °C)	WB
OUTDOOR	: 95.0 °F (35.0 °C)	DB
	75.0 °F (23.9 °C)	WB

LOCATION OF MICROPHONE



NOTE)1.Operation noise differs with operation and ambient conditions.

FXEQ15PVJU (heating)



OVER ALL (dB)

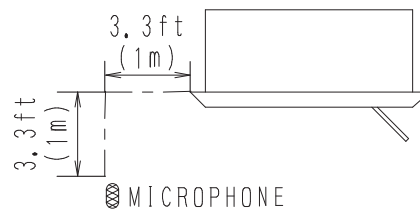
SCALE	H	HM	M	ML	L
A	41	39	37	35	33

MEASURING PLACE : ANECHOIC CHAMBER
 B, G, N IS ALREADY RECTIFIED

OPERATING CONDITIONS

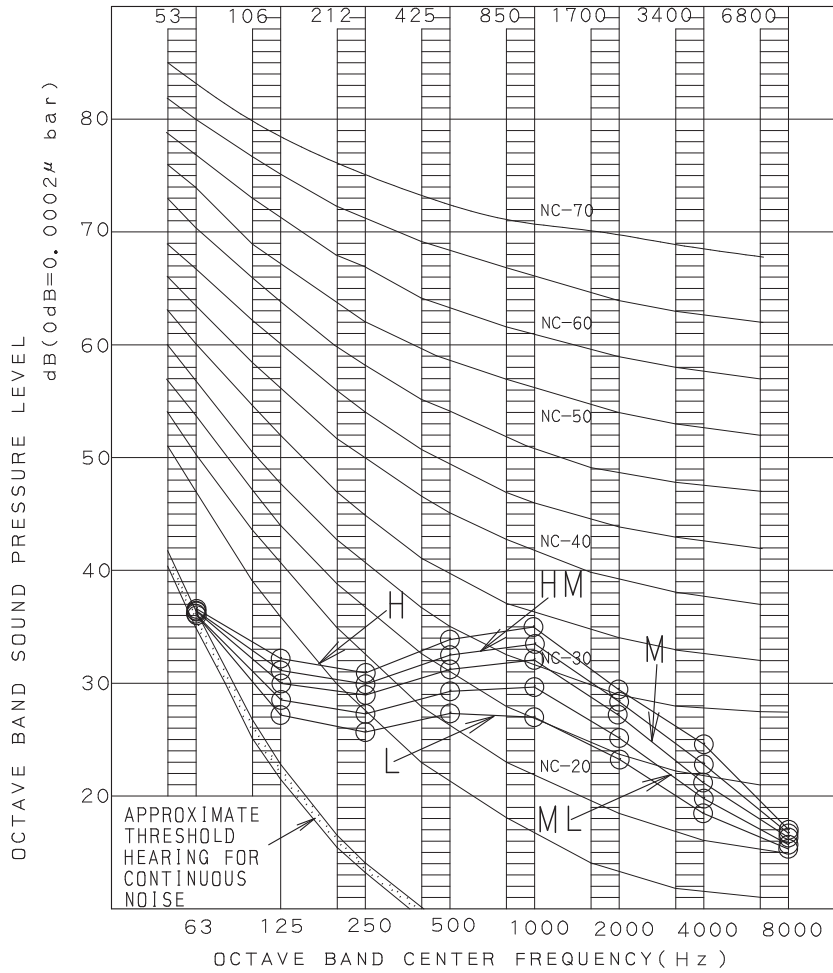
POWER SOURCE 208/230V 60Hz	
HEATING	RETURN AIR: 70.0 °F (21.1 °C) DB
	60.0 °F (15.6 °C) WB
	OUTDOOR : 47.0 °F (8.3 °C) DB
	43.0 °F (6.1 °C) WB

LOCATION OF MICROPHONE



FXEQ18PVJU (cooling)

COOLING



OVER ALL (dB)

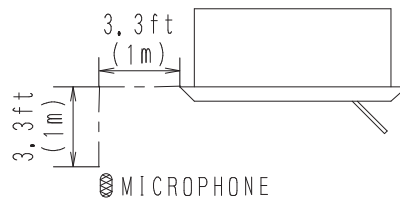
SCALE	H	HM	M	ML	L
A	38	37	35	33	31

MEASURING PLACE : ANECHOIC CHAMBER
B. G. N IS ALREADY RECTIFIED

OPERATING CONDITIONS

POWER SOURCE	208/230V	60Hz
COOLING	RETURN AIR:	80.0 °F (26.7 °C) DB
		67.0 °F (19.4 °C) WB
	OUTDOOR	:95.0 °F (35.0 °C) DB
		75.0 °F (23.9 °C) WB

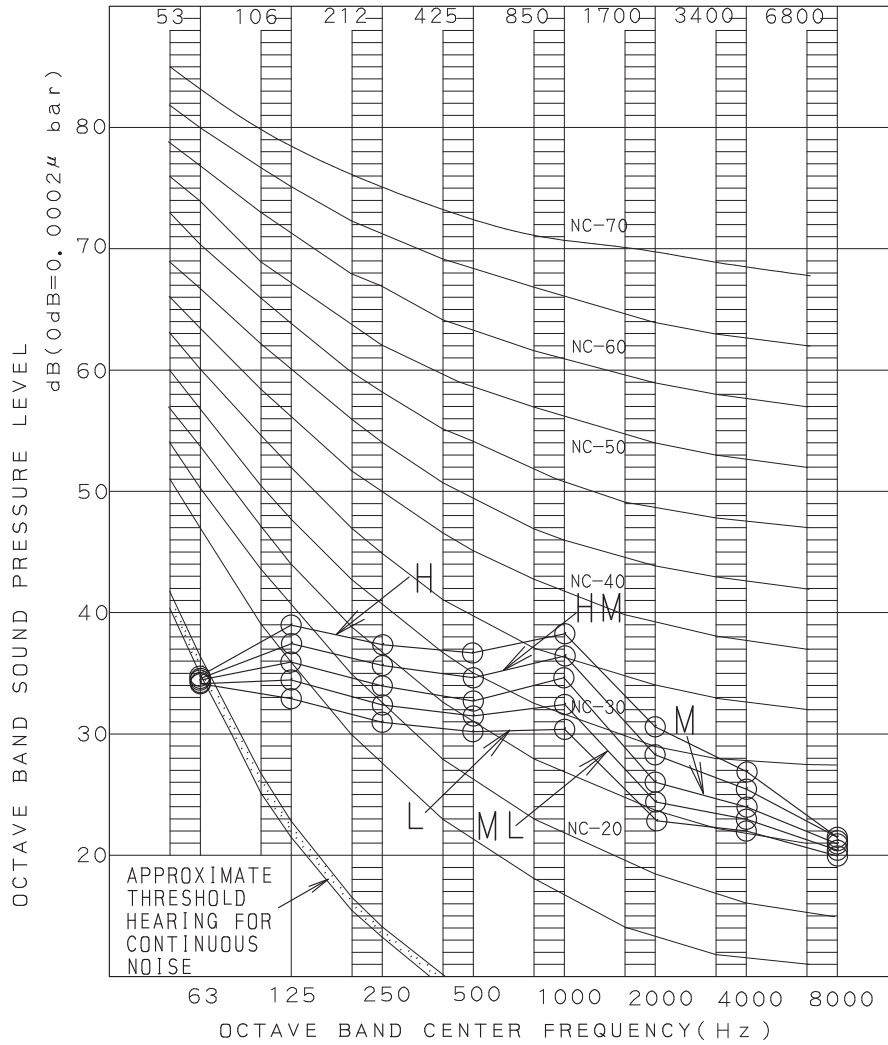
LOCATION OF MICROPHONE



NOTE)1. Operation noise differs with operation and ambient conditions.

FXEQ18PVJU (heating)

HEATING



OVER ALL (dB)

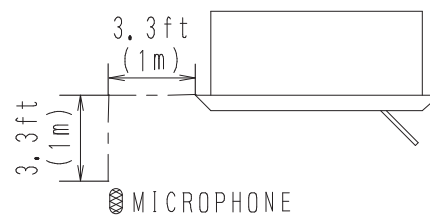
SCALE	H	HM	M	ML	L
A	41	39	37	36	34

MEASURING PLACE : ANECHOIC CHAMBER
B, G, N IS ALREADY RECTIFIED

OPERATING CONDITIONS

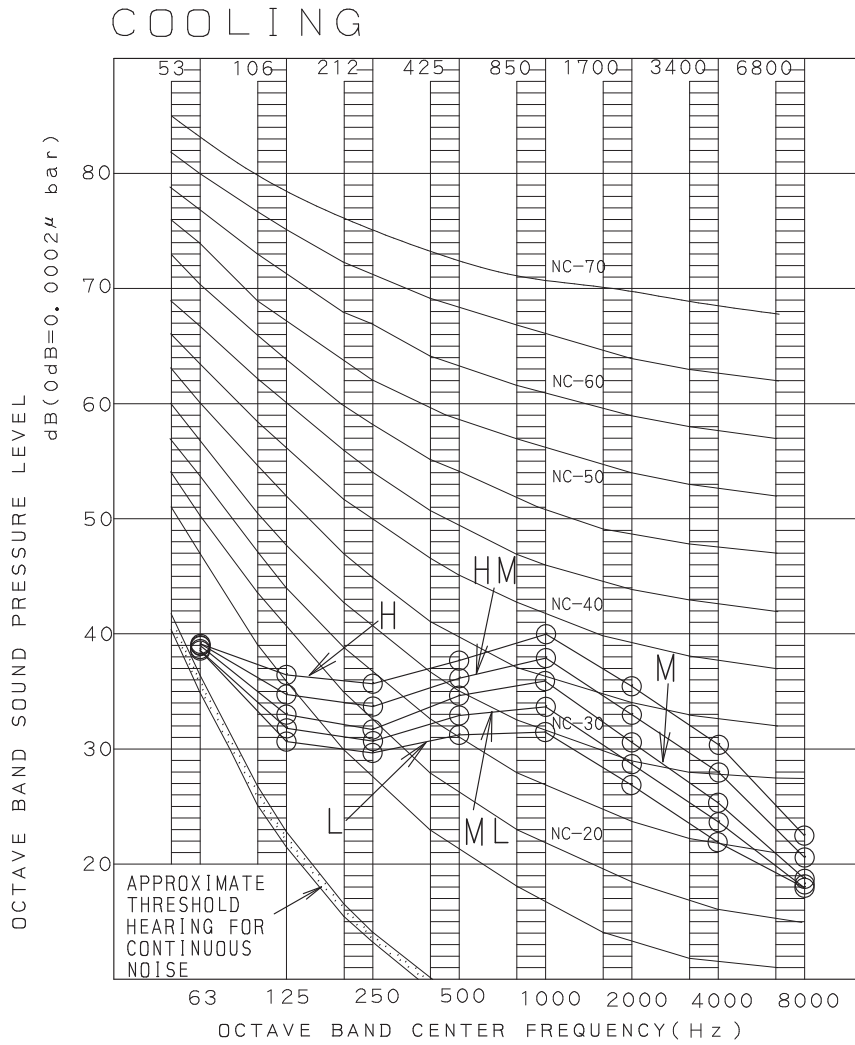
POWER SOURCE 208/230V 60Hz	
HEATING	RETURN AIR: 70.0 °F (21.1 °C) DB
	60.0 °F (15.6 °C) WB
	OUTDOOR : 47.0 °F (8.3 °C) DB
	43.0 °F (6.1 °C) WB

LOCATION OF MICROPHONE



3D098620

FXEQ24PVJU (cooling)



OVER ALL (dB)

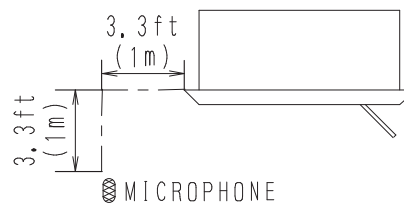
SCALE	H	HM	M	ML	L
A	43	41	39	37	35

MEASURING PLACE : ANECHOIC CHAMBER
B. G. N IS ALREADY RECTIFIED

OPERATING CONDITIONS

POWER SOURCE	208/230V	60Hz
COOLING	RETURN AIR:	80.0 °F (26.7 °C) DB
		67.0 °F (19.4 °C) WB
	OUTDOOR	: 95.0 °F (35.0 °C) DB
		75.0 °F (23.9 °C) WB

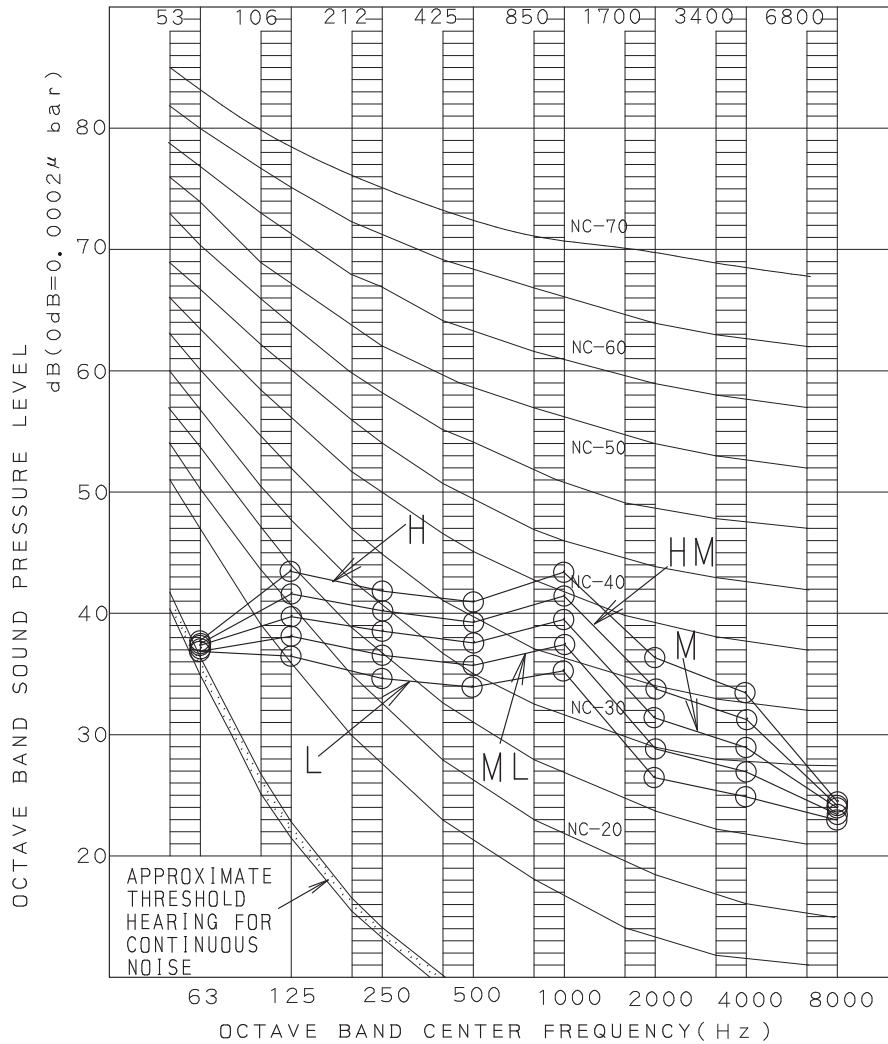
LOCATION OF MICROPHONE



NOTE) 1. Operation noise differs with operation and ambient conditions.

FXEQ24PVJU (heating)

HEATING



OVER ALL (dB)

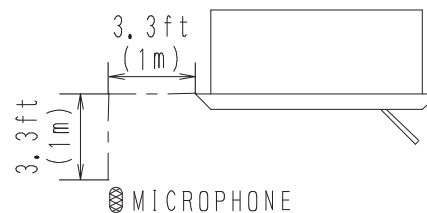
SCALE	H	HM	M	ML	L
A	46	44	42	40	38

MEASURING PLACE : ANECHOIC CHAMBER
 B. G. N IS ALREADY RECTIFIED

OPERATING CONDITIONS

POWER SOURCE		208/230V	60Hz
HEATING	RETURN AIR:	70.0 °F (21.1 °C)	DB
		60.0 °F (15.6 °C)	WB
	OUTDOOR	:47.0 °F (8.3 °C)	DB
		43.0 °F (6.1 °C)	WB

LOCATION OF MICROPHONE



11. Accessories

11.1 Optional Accessories (for Unit)

No.	Option	Note	FXEQ07PVJU FXEQ09PVJU FXEQ12PVJU FXEQ15PVJU	FXEQ18PVJU FXEQ24PVJU
1	Decoration panel		BYEP40AW1	BYEP63AW1

C: 3D098723



Warning ● Ask a qualified installer or contractor to install this product. Do not try to install the product yourself.



Improper installation can result in water or refrigerant leakage, electrical shock, fire or explosion.

- Use only those parts and accessories supplied or specified by Daikin. Ask a qualified installer or contractor to install those parts and accessories. Use of unauthorised parts and accessories or improper installation of parts and accessories can result in water or refrigerant leakage, electrical shock, fire or explosion.
- Read the user's manual carefully before using this product. The user's manual provides important safety instructions and warnings. Be sure to follow these instructions and warnings.

If you have any inquiries, please contact your local importer, distributor and/or retailer.

Cautions on product corrosion

1. Air conditioners should not be installed in areas where corrosive gases, such as acid gas or alkaline gas, are produced.
2. If the outdoor unit is to be installed close to the sea shore, direct exposure to the sea breeze should be avoided. If you need to install the outdoor unit close to the sea shore, contact your local distributor.