

**DAIKIN**

# OPERATION MANUAL

## **VRV** System Inverter air conditioner

**Model**  
**One Way Blow Cassette Type**

**FXEQ07PVJU**  
**FXEQ09PVJU**  
**FXEQ12PVJU**  
**FXEQ15PVJU**  
**FXEQ18PVJU**  
**FXEQ24PVJU**

**English**

**Français**

**Español**

**Thank you for purchasing this Daikin air conditioner. Carefully read this operation manual before using the air conditioner. It will tell you how to use the unit properly and help you if any trouble occurs. This manual explains about the indoor unit only. Use it along with the operation manual for the outdoor unit. After reading the manual, file it away for future reference.**

**Nous vous remercions pour votre acquisition de ce système de climatisation Daikin. Lisez attentivement ce manuel avant d'utiliser le climatiseur. Il vous expliquera comment vous servir correctement de l'appareil et vous guidera en cas de problème. Ce manuel ne décrit que l'unité intérieure. Utilisez-le avec le manuel de l'unité extérieure. Lorsque vous aurez lu le manuel, rangez-le afin de pouvoir vous y référer ultérieurement.**


**Le agradecemos la compra de este acondicionador de aire Daikin. Lea cuidadosamente el manual de funcionamiento antes de utilizar el acondicionador de aire. Dicho manual le indicará cómo utilizar adecuadamente la máquina y le ayudará en caso de avería. Este manual describe sólo la unidad interior. Utilice conjuntamente con el manual de instrucciones de la unidad exterior. Después de leer el manual, consérvelo para consultas futuras.**


## SAFETY CONSIDERATIONS


Read these **Safety Considerations for Operations** carefully before installing air conditioning equipment. After completing the installation, make sure that the unit operates properly during the startup operation. Instruct the customer on how to operate and maintain the unit.


Inform customers that they should store this Operation Manual with the Installation Manual for future reference.

Meanings of **DANGER**, **WARNING**, **CAUTION**, and **NOTE** Symbols:

 **DANGER**.....Indicates an imminently hazardous situation which, if not avoided, will result in death or serious injury.

 **WARNING**.....Indicates a potentially hazardous situation which, if not avoided, could result in death or serious injury.

 **CAUTION**.....Indicates a potentially hazardous situation which, if not avoided, may result in minor or moderate injury. It may also be used to alert against unsafe practices.

 **NOTE**.....Indicates situations that may result in equipment or property-damage accidents only.

### **DANGER**

- Do not install the unit in an area where flammable materials are present due to risk of explosion resulting in serious injury or death.
- Any abnormalities in the operation of the air conditioner or heat pump such as smoke or fire could result in severe injury or death. Turn off the power and contact your dealer immediately.
- Refrigerant gas may produce toxic gas if it come in contact with fire, such as from a fan, heater, stove, or cooking device. Exposure to this gas could cause severe injury or death.
- For refrigerant leakage, consult your dealer.  
Refrigerant gas is heavier than air and replaces oxygen. A massive leak could lead to oxygen depletion, especially in basements, and an asphyxiation hazard could occur leading to serious injury or death.
- If equipment utilizing a burner is used in the same room as the air conditioner or heat pump, there is the danger of oxygen deficiency which could lead to an asphyxiation hazard resulting in serious injury or death. Be sure to ventilate the room sufficiently to avoid this hazard.
- Safely dispose of the packing materials. Packing materials, such as nails and other metal or wooden parts, may cause stabs or other injuries.
- Tear apart and throw away plastic packaging bags so that children can not play with them.  
Children playing with plastic bags face the danger of death by suffocation.

### **WARNING**

- Contact your dealer for repair and maintenance. Improper repair and maintenance may result in waterleakage, electric shock, and fire. Only use accessories made by Daikin that are specifically designed for use with the equipment and have them installed by a professional.

- Contact your dealer to move and reinstall the air conditioner or heat pump. Incomplete installation may result in water leakage, electric shock, and fire.
- Never let the indoor unit or the remote controller get wet. Water can cause an electric shock or a fire.
- Never use flammable spray such as hair spray, lacquer, or paint near the unit. Flammable spray may cause a fire.
- When a fuse blows out, never replace it with one of incorrect ampere ratings or different wires. Always replace any blown fuse with a fuse of the same specification.
- Never remove the fan guard of the unit. A fan rotating at high speed without the fan guard is very dangerous.
- Never inspect or service the unit by yourself. Contact a qualified service person to perform this work.
- Turn off all electrical power before doing any maintenance to avoid the risk of serious electric shock; never sprinkle or spill water or liquids on the unit. Do not touch the switch with wet fingers.  
Touching a switch with wet fingers can cause electric shock.
- Do not allow children to play on or around the unit to prevent injury.
- The heat exchanger fins are sharp enough to cut. To avoid injury wear gloves or cover the fins while working around them.
- Do not put a finger or other objects into the air inlet or air outlet. The fan is rotating at high speed and may cause injury.
- Check the unit foundation for damage on a continuous basis, especially if it has been in use for a long time. If left in a damaged condition the unit may fall and cause injury.
- Placing a flower vase or other containers with water or other liquids on the unit could cause a shock or fire if a spill occurs.
- Do not touch the air outlet or horizontal blades while the swing flap is in operation because fingers could get caught and injured.
- Never touch the internal parts of the controller. Do not remove the front panel because some parts inside are dangerous to touch. To check and adjust internal parts, contact your dealer.
- Be sure to ground the unit.  
Do not ground the unit to a utility pipe, arrester, or telephone ground. Incomplete grounding may cause electrical shock, or fire. A high surge current from lightning or other sources may cause damage to the air conditioner or heat pump.
- This equipment must be installed with a Ground-Fault Circuit Breaker (GFCI). With the grounding system in force in North America, the dedicated GFCI device -while being a recognized additional protection- is not mandatory there.

### **CAUTION**

- Do not use the air conditioner or heat pump for any other purposes other than comfort cooling or heating. Do not use the unit for cooling precision instruments, food, plants, animals or works of art.
- Do not place items under the indoor unit as they may be damaged by condensates that may form if the humidity is above 80% or if the drain outlet gets blocked.
- Before cleaning, stop the operation of the unit by turning the power off or by pulling the supply cord out from its receptacle. Otherwise, an electric shock and injury may result.
- Do not wash the air conditioner or heat pump with excessive water. An electric shock or fire may result.

- Avoid placing the controller in a spot splashed with water. Water entering the controller may cause an electric shock or damage the internal electronic parts.
- Do not operate the air conditioner or heat pump when using a room fumigation type of insecticide. Failure to observe this could cause the chemicals to be deposited in the unit and can endanger the health of those who are hypersensitive to chemicals.
- Do not turn off the power immediately after stopping operation. Always wait for at least five minutes before turning off the power. Otherwise, water leakage may occur.
- The appliance is not intended for use by young children or infirm persons without supervision.
- The remote controller should be kept away from children so they cannot play with it.
- Consult with the installation contractor for cleaning.
- Incorrect cleaning of the inside of the air conditioner or heat pump could make the plastics parts break and cause water leakage or electric shock.
- Do not touch the air inlet or aluminum fin of the air conditioner or heat pump as they can cut and cause injury.
- Do not place objects in direct proximity of the outdoor unit. Do not let leaves and other debris accumulate around the unit. Leaves are a hotbed for small animals which can enter the unit. Once inside the unit, animals can cause the unit to malfunction, and cause smoke or fire when they make contact with electrical parts.



#### NOTE

- Never press the button of the remote controller with a hard, pointed object. The remote controller may be damaged.
- Never pull or twist the electric wire of the remote controller. It may cause the unit to malfunction.
- Do not place appliances that produce open flames in places that are exposed to the airflow of the unit or under the indoor unit. It may cause incomplete combustion or deformation of the unit due to the heat.
- Do not expose the controller to direct sunlight. The LCD display can become discolored and may fail to display the data.
- Do not wipe the controller operation panel with benzene, thinner, chemical dust cloth, etc. The panel may get discolored or the coating can peel off. If it is heavily dirty, soak a cloth in water-diluted neutral detergent, squeeze it well and wipe the panel clean. Then wipe it with another dry cloth.
- Dismantling of the unit, disposal of the refrigerant, oil, and additional parts, should be done in accordance with the relevant local, state, and national regulations.
- Operate the air conditioner or heat pump in a sufficiently ventilated area and not surrounded by obstacles. Do not use the air conditioner or heat pump in the following places.
  - a. Places with a mist of mineral oil, such as cutting oil.
  - b. Locations such as coastal areas where there is a lot of salt in the air.
  - c. Locations such as hot springs where there is a lot of sulfur in the air.
  - d. Locations such as factories where the power voltage varies a lot.
  - e. In cars, boats, and other vehicles.
  - f. Locations such as kitchens where oil may splatter or where there is steam in the air.
  - g. Locations where equipment produces electromagnetic waves.
  - h. Places with an acid or alkaline mist.

- a. Places where fallen leaves can accumulate or where weeds can grow.
- Take snow protection measures. Contact your dealer for the details of snow protection measures, such as the use of a snow protection hood.
  - Do not attempt to do electrical work or grounding work unless you are licensed to do so. Consult with your dealer for electrical work and grounding work.
  - Pay attention to operating sound. Be sure to use the following places:
    - a. Places that can sufficiently withstand the weight of the air conditioner or heat pump yet can suppress the operating sound and vibration of the air conditioner or heat pump.
    - b. Places where warm air from the air outlet of the outdoor unit or the operating sound of the outdoor unit does not annoy neighbors.
  - Make sure that there are no obstacles close to the outdoor unit. Obstacles close to the outdoor unit may drop the performance of the outdoor unit or increase the operating sound of the outdoor unit.
  - Consult your dealer if the air conditioner or heat pump in operation generates unusual noise.
  - Make sure that the drainpipe is installed properly to drain water. If no water is discharged from the drainpipe while the air conditioner or heat pump is in the cooling mode, the drainpipe may be clogged with dust or dirt and water leakage from the indoor unit may occur. Stop operating the air conditioner or heat pump and contact your dealer.
-

# CONTENTS

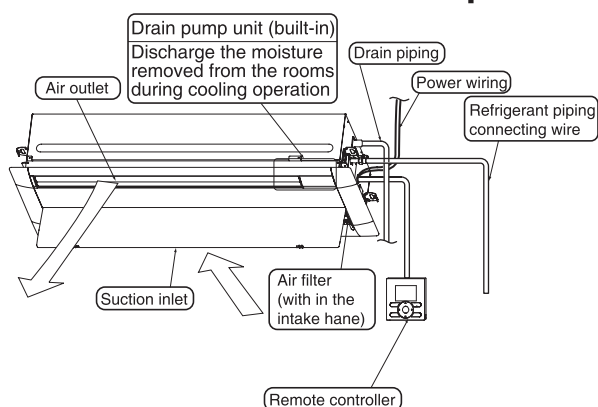
Safety considerations ..... [i][ii]

1.Names and functions of parts..... 1

2.Maintenance (For service personnel)..... 1

3.After-sales service and guarantee repair..... 2

## 1. Names and functions of parts



## 2. Maintenance (For service personnel)

### Warning

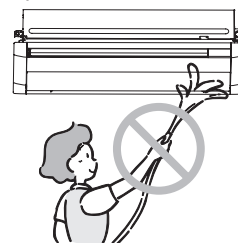
- Only the professional service person can perform maintenance work.
- Turn off all power supply before contacting with the wiring devices.
- Do not use flammable materials (e.g., hairspray or insecticide) near the product.  
Do not clean the product with organic solvents such as paint thinner. Using the organic solvents may result in cracks, electric shocks or fire hazards.
- Ask the technical expertise to install the optional accessories. Be sure to use the specified accessories by Daikin. Improper installation by yourself may result in water leakage, electric shocks and fire hazards.

### Caution

- Only proceed with the unit cleaning after stopping the operation and turning the power supply off.  
Failure to do so may result in electric shocks or personal injury.



- Don't wash the air conditioner with water.  
Failure to do so may result in electric shocks.



- Use stable prep stand.  
Pay special caution when cleaning the air conditioner.

### Daily maintenance: Cleaning the air filter

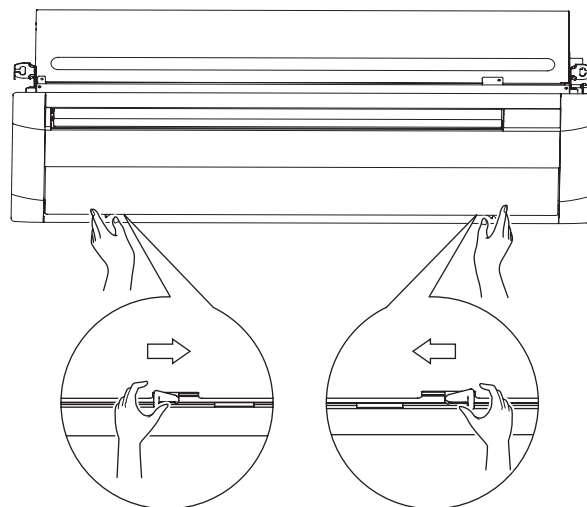
#### Description

- Do not remove the air filter if not going to clean it. Failure to do so may result in malfunction.
- When "Filter cleaning" is indicated on the remote controller or on the centralized controller, clean the air filter.
- This will be displayed after running a certain period of time.
- If the air conditioner is used in a dusty place, increase the frequency of cleaning. (About once every half year)

#### 1.Open the intake hane.

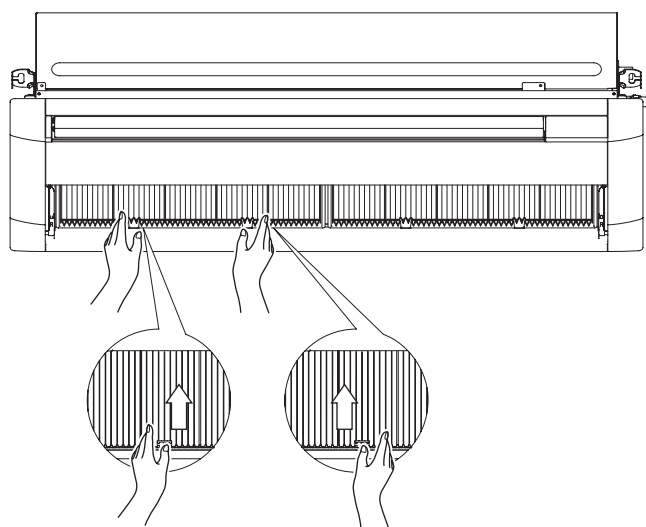
Push inward while pressing the two clips. After pushing to the top, pull downward slowly.

**CAUTION**.....Do not loosen your grip immediately after pushing to the top. Failure to do so will result in personnel injury as the intake hane will fall off under the action of its own gravity.



#### 2.After opening the intake hane, remove the air filter as shown in the figure below.

- (1)Grasp the clips of the air filter and push forward till the end. Then pull the air filter downward slowly to remove one piece of them.
- (2)Proceed with the same method as (1) to remove the second piece of air filter.



### 3. Clean the air filter.

#### ⚠ Caution

- Do not clean with water over 122°F (50°C). Doing so may cause fading or deformation.
- Do not dry the air filter by a fire as it may catch fire.

Ⓐ Use a dust collector or Ⓑ wash with the water to remove the dust.

Ⓐ Use a dust collector to remove the dust.

Ⓑ Wash with the water.

If there is too much dust, wash it with a soft brush and the neutral detergent.



Throw off the water and dry in a shade place.



Ⓐ



Ⓑ

### 4. Install the air filter.

After opening the intake hane, put the two pieces of air filter into the unit and click the clips of the air conditioner into the slots.

### 5. Close the intake hane.

Lift the intake hane slightly. After the intake hane touching with the panel, push the intake hane up gently. When the sound of “click” is heard, the intake hane is closed.

### 6. After turning on the power supply, press the “filter cleaning signal resetting” key.

The display of “Filter cleaning” will disappear.

### Cleaning the air outlet and the outer panel


#### ⚠ Caution

- Do not use gasoline, benzene, thinner, polishing powder or liquid insecticide.
- Do not clean with water over 122°F (50°C). Doing so may cause fading or deformation.

- Wipe with a soft dry cloth.
- If it is unable to remove the dust, use the water or the neutral detergent.

## 3. After-sales service and guarantee repair

### ⚠ Warning

- Ask the professional service person to make repairs. Improper repairs may result in water leakage, electric shocks and fire hazards.
- Always ask the professional service person for removing and reinstalling. Improper installation may result in water leakage, electric shocks and fire hazards.
- The refrigerant within the air conditioner is safe. Generally, it is unlikely to leak. However, in case of a refrigerant leakage in the rooms, it may generate noxious gas if in contact with the fire of a warmer, stove and furnace. After completing refrigerant leakage repair work, don't operate the air conditioner until a service person confirms that the leakage has been repaired. 

- When calling for repair, inform your dealer of the details as follows:

- Model name
- Serial number and installation date
- Malfunction – details (Malfunction code displayed on the remote controller.)
- Your name, address and telephone number

- When the warranty term is expired  
Contact the dealer and if able to repair, pay service will be available.

- Minimum storage period of key components and parts  
Daikin will have the key components and parts in stock for 9 years at least after discontinuing the production of this type of air conditioner.

The key components and parts mean parts essential for the operation of air conditioner.

- Maintenance and inspection  
After years of operation, accumulated dust will more or less impairs the units' performance.

We advise you to enter a maintenance and inspection contract (pay service) in addition to a normal maintenance performed by yourself. For details about the professional service, contact your dealer.


- Where to call  
For after-sales service, etc., consult with your dealer.
- Recover the refrigerant first before unit's discard, transport, reset and maintenance. The unit to be discarded should be handled by the recycler with qualification of dealing with the wasted electrical appliance and electronic products.
- For each homogeneous material of the air conditioner, contents of the lead, mercury, hexavalent chromium, PBB and PBDE are lower than 0.1% (mass fraction), and content of the cadmium is lower than 0.01% (mass fraction).


## CONSIDÉRATIONS DE SÉCURITÉ


Veillez lire attentivement ces *Considérations de sécurité* avant d'installer l'équipement de climatisation. Après avoir terminé l'installation, veillez à ce que l'unité fonctionne correctement pendant l'opération de démarrage. Expliquez au client comment faire fonctionner et entretenir l'unité.


Indiquez aux clients qu'ils doivent ranger ce mode d'emploi avec le manuel d'installation pour pouvoir s'y reporter ultérieurement.

Signification des symboles **DANGER**, **AVERTISSEMENT**, **ATTENTION** et **REMARQUE**:

 **DANGER**.....Signale une situation dangereuse imminente qui peut provoquer un accident mortel ou des blessures graves si les mesures de sécurité ne sont pas respectées.

 **AVERTISSEMENT**.....Signale une situation potentiellement dangereuse qui peut provoquer un accident mortel ou des blessures graves si les mesures de sécurité ne sont pas respectées.

 **ATTENTION**.....Signale une situation potentiellement dangereuse qui peut provoquer des blessures légères ou modérées si les mesures de sécurité ne sont pas respectées. Cette mise en garde peut également signaler des manœuvres dangereuses.

 **REMARQUE**.....Indique des situations qui peuvent provoquer uniquement des dégâts sur l'équipement ou le matériel.

### **DANGER**

- N'installez pas l'unité dans un endroit où se trouvent des matériaux inflammables, car il y aurait risque d'explosion pouvant entraîner des blessures graves ou mortelles.
- Toute anomalie dans le fonctionnement du climatiseur ou de la thermopompe comme la présence de fumée ou de flammes risque d'entraîner des blessures graves ou mortelles. Coupez l'alimentation et communiquez immédiatement avec votre distributeur.
- Le gaz réfrigérant risque de générer des gaz toxiques s'il entre en contact avec une flamme provenant par exemple d'un ventilateur, d'un poêle, d'une cuisinière ou d'un autre appareil de cuisine. Toute exposition à ce type de gaz risquerait d'entraîner des blessures graves ou mortelles.
- En cas de fuite de frigorigène, consultez votre distributeur. Le gaz frigorigène est plus lourd que l'air et prend la place de l'oxygène. Une fuite importante pourrait provoquer une déperdition d'oxygène, en particulier dans les sous-sols, ce qui pourrait causer une asphyxie entraînant des blessures graves ou mortelles.
- Si de l'équipement doté d'un brûleur est utilisé dans la même pièce que le climatiseur ou la thermopompe, une insuffisance d'oxygène risque de se produire, et une asphyxie entraînant des blessures graves ou mortelles pourrait survenir. Assurez-vous d'aérer suffisamment la pièce pour écarter ce risque.
- Mettez soigneusement au rebut les matériaux d'emballage. Les matériaux d'emballage tels que les clous et autres pièces de métal ou de bois risquent d'entraîner des lésions semblables à un coup de couteau ou d'autres blessures.
- Pour éviter que les enfants jouent avec les sacs d'emballage de plastique, déchirez-les et jetez-les. S'ils jouent avec des sacs de plastique, les enfants risquent le décès par suffocation.

### **AVERTISSEMENT**

- Communiquez avec votre distributeur pour vos besoins en matière d'entretien et de réparation. Les réparations et l'entretien inadéquats peuvent entraîner des fuites d'eau, des décharges électriques ou un incendie. Utilisez seulement les accessoires fabriqués par Daikin et conçus spécialement pour l'équipement, et veillez à les faire installer par un professionnel.
- Communiquez avec votre distributeur pour déplacer et réinstaller le climatiseur ou la thermopompe. Si l'installation n'est pas effectuée complètement, des fuites d'eau, des chocs électriques ou un incendie risqueront de s'ensuivre.
- L'unité intérieure ou la télécommande ne devraient jamais être trempées. L'eau pourrait provoquer des chocs électriques ou un incendie.
- N'utilisez jamais de pulvérisateur contenant un produit inflammable comme de la laque ou de la peinture à proximité de l'unité. Les pulvérisateurs contenant un produit inflammable risquent de provoquer un incendie.
- Si un fusible saute, ne le remplacez jamais par un fusible d'intensité nominale différente ou doté de fils différents. Remplacez toujours les fusibles sautés par des fusibles présentant les mêmes caractéristiques techniques.
- Ne retirez jamais la grille de protection du ventilateur de l'unité. Un ventilateur en rotation à haute vitesse et dont la grille de protection n'est pas en place représente un grave danger.
- N'inspectez jamais l'unité et ne procédez jamais à son entretien vous-même. Communiquez avec un technicien qualifié pour réaliser ce travail.
- Désactivez toute alimentation électrique avant de réaliser quelque travail d'entretien que ce soit pour éviter tout risque de chocs électriques graves; n'éclaboussez jamais d'eau ou ne déversez pas d'autres liquides sur l'unité. Ne touchez pas l'interrupteur avec les mains mouillées. Si vous touchez un interrupteur avec les mains mouillées, un choc électrique risquera de s'ensuivre.
- Ne laissez pas les enfants jouer sur l'unité ou à proximité de celle-ci, afin d'éviter qu'ils se blessent.
- Les ailettes de l'échangeur de chaleur sont coupantes. Pour éviter de vous blesser, mettez des gants ou recouvrez les ailettes lorsque vous effectuez des travaux à proximité de celles-ci.
- N'insérez pas un doigt ou d'autres objets dans l'entrée ou la sortie d'air. Le ventilateur a une vitesse de rotation élevée et pourrait provoquer des blessures.
- Assurez-vous régulièrement que la fondation de l'unité ne présente pas de dommages, particulièrement si elle est utilisée depuis longtemps. Si elle est laissée en mauvais état, l'unité pourrait tomber et entraîner des blessures.
- Un vase de fleurs ou un autre contenant rempli d'eau ou d'autre liquide déposé sur l'unité pourrait entraîner un choc ou un incendie s'il était renversé.
- Évitez de toucher la sortie d'air ou les lames horizontales lorsque le déflecteur fonctionne, car les doigts pourraient être coincés et blessés.
- Ne touchez jamais les pièces internes de l'unité de commande. Ne retirez pas le panneau avant, car il pourrait être dangereux de toucher certaines pièces à l'intérieur. Pour vérifier et régler les pièces internes, communiquez avec votre distributeur.
- Veillez à mettre l'unité à la terre. N'effectuez pas la mise à la terre de l'unité sur une conduite des services publics, un paratonnerre ou un fil de terre du téléphone. Une mise à la terre incomplète pourrait causer un choc électrique ou un incendie. Une surcharge de courant provoquée par la foudre ou d'autres sources pourrait endommager le climatiseur ou la thermopompe.

- Cet équipement peut être installé avec un disjoncteur de fuite de terre (GFCI). Même s'il s'agit d'une mesure reconnue pour obtenir une protection supplémentaire, le système de mise à la terre utilisé en Amérique du Nord fait en sorte qu'il n'est pas nécessaire d'utiliser un GFCI.

### ATTENTION

- N'utilisez pas le climatiseur ou la thermopompe pour d'autres motifs que le rafraîchissement ou le chauffage pour le confort. N'utilisez pas l'unité pour le rafraîchissement d'instruments de précision, d'aliments, de plantes, d'animaux ou d'œuvres d'art.
- Ne placez pas d'objets sous l'unité intérieure, car ils risqueraient d'être endommagés par les condensats qui pourraient se former si l'humidité relative s'élevait au-dessus de 80% ou si la conduite d'évacuation devenait obstruée.
- Avant le nettoyage, arrêtez le fonctionnement de l'unité en coupant l'alimentation ou en débranchant le câble d'alimentation de la prise. Autrement, des chocs électriques et des blessures pourraient s'ensuivre.
- Évitez de laver le climatiseur ou la thermopompe en utilisant une quantité excessive d'eau. Cela pourrait provoquer des chocs électriques et un incendie.
- Évitez de poser l'unité de commande à un endroit couvert d'eau. Si de l'eau pénètre dans l'unité de commande, cela pourrait entraîner des chocs électriques ou endommager les composants électroniques internes.
- Lorsque vous utilisez un insecticide fumigène dans une pièce, ne faites pas fonctionner le climatiseur ou la thermopompe. Si vous n'observez pas cette précaution, les produits chimiques pourraient se déposer dans l'unité et représenter un risque pour la santé des personnes hypersensibles.
- Ne mettez pas l'alimentation électrique sur arrêt immédiatement après avoir arrêté le fonctionnement. Attendez toujours au moins cinq minutes avant de mettre l'alimentation sur arrêt. Sinon, des fuites d'eau pourraient s'ensuivre.
- L'appareil n'est pas conçu pour être utilisé par de jeunes enfants ou par des personnes infirmes sans surveillance.
- La télécommande devrait être tenue hors de portée des enfants pour éviter qu'ils jouent avec celle-ci.
- Consultez l'installateur pour le nettoyage.
- Un nettoyage incorrect de l'intérieur du climatiseur ou de la thermopompe pourrait entraîner le bris des pièces de plastique et entraîner des fuites d'eau ou des chocs électriques.
- Évitez de toucher l'entrée d'air ou les ailettes d'aluminium du climatiseur ou de la thermopompe, car elles sont coupantes et pourraient provoquer des blessures.
- Évitez de placer des objets directement à proximité de l'unité extérieure. Ne laissez pas des feuilles et autres débris s'accumuler autour de l'unité. Les feuilles forment un abri pour les petits animaux qui peuvent ensuite pénétrer l'unité. Lorsqu'ils sont à l'intérieur de l'unité, les animaux peuvent empêcher son fonctionnement adéquat et être à l'origine de fumée ou d'un incendie s'ils entrent en contact avec les composants électriques.

### REMARQUE

- N'appuyez jamais sur le bouton de la télécommande à l'aide d'un objet dur et pointu. Cela pourrait endommager la télécommande.
- Ne tirez et ne tordez jamais le câble électrique de la télécommande. Cela pourrait provoquer une défaillance de l'unité.
- Ne placez aucun appareil qui produit une flamme nue dans les endroits soumis au flux d'air de l'unité ou encore sous l'unité intérieure. La chaleur pourrait provoquer une combus-

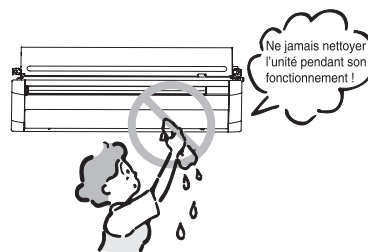
tion incomplète ou une déformation de l'unité.

- N'exposez pas l'unité de commande directement aux rayons du soleil. L'affichage LCD pourrait devenir décoloré et les données pourraient ne plus s'afficher.
- N'essuyez pas le panneau de commande à l'aide de benzène, solvant, linge de nettoyage à base de produits chimiques, etc. Le panneau pourrait devenir décoloré ou le revêtement pourrait s'écailler. S'il est très sale, imprégnez un linge de détergent neutre dilué dans l'eau, tordez-le soigneusement et nettoyez le panneau. Passez ensuite un autre linge sec pour essuyer.
- Le démontage de l'unité et l'élimination du réfrigérant, de l'huile et d'autres pièces doivent être effectués conformément aux règlements en vigueur dans votre localité, votre État/ votre province et votre pays.
- Le climatiseur ou la thermopompe doit fonctionner dans une zone suffisamment aérée et ne doit pas être entouré d'obstacles. N'utilisez pas le climatiseur ou la thermopompe dans les endroits suivants.
  - a. Endroits où on trouve une brume d'huile minérale comme de l'huile de coupe.
  - b. Endroits comme les zones côtières, où l'air est chargé de sel.
  - c. Endroits comme les sources chaudes, où l'air est chargé de soufre.
  - d. Endroits comme les usines, où la tension électrique présente d'importantes fluctuations.
  - e. Dans les automobiles, embarcations et autres véhicules.
  - f. Endroits comme les cuisines, où de l'huile pourrait être projetée et où l'air est chargé de vapeur.
  - g. Endroits où les équipements produisent des ondes électromagnétiques.
  - h. Endroits où on trouve une brume acide ou alcaline.
  - i. Endroits où les feuilles mortes peuvent s'accumuler et où les mauvaises herbes peuvent pousser.
- Prenez des mesures de protection contre la neige. Contactez votre distributeur pour les détails au sujet des mesures de protection contre la neige, telles que l'utilisation d'un capot de protection.
- N'essayez pas de réaliser les travaux d'installation électrique ou de mise à la terre à moins d'être qualifié pour le faire. Consultez votre distributeur pour les travaux d'installation électrique et de mise à la terre.
- Portez une attention particulière aux bruits émis par l'appareil en marche. Assurez-vous d'utiliser les endroits suivants:
  - a. Endroits en mesure de soutenir suffisamment le poids du climatiseur ou la thermopompe, tout en étant en mesure d'absorber le bruit et les vibrations produits par celui-ci.
  - b. Endroits où l'air chaud émis par la sortie d'air de l'unité extérieure et où le bruit produit durant le fonctionnement ne dérange pas les voisins.
- Assurez-vous qu'aucun obstacle ne se trouve à proximité de l'unité extérieure. Les obstacles à proximité de l'unité extérieure peuvent nuire à son efficacité ou augmenter le bruit lors du fonctionnement de l'unité extérieure.
- Consultez votre distributeur si le climatiseur ou la thermopompe émet un bruit inhabituel durant son fonctionnement.
- Assurez-vous que la conduite d'évacuation est installée correctement pour l'évacuation de l'eau. Si vous constatez l'absence d'eau s'écoulant de la conduite d'évacuation tandis que le climatiseur ou la thermopompe est en mode refroidissement, la conduite pourrait être obstruée par de la poussière ou de la saleté et une fuite d'eau provenant de l'unité intérieure risque de se produire. Cessez l'utilisation du climatiseur ou la thermopompe et communiquez avec votre distributeur.

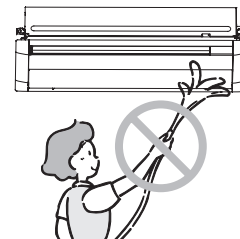


# TABLE DES MATIÈRES

Considérations de sécurité ..... [i][ii]  
 1.Noms et fonctions des pièces..... 1  
 2.Maintenance (personnel d'entretien) ..... 1  
 3.Service après-vente et réparation sous garantie..... 2

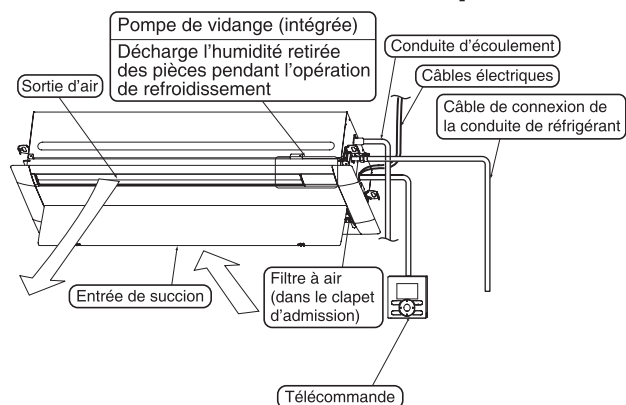


- Ne pas laver le climatiseur avec de l'eau. Le non-respect de cette consigne peut provoquer des décharges électriques.



- Utiliser un support de préparation stable. Porter une attention particulière au nettoyage du climatiseur.

## 1. Noms et fonctions des pièces



## 2. Maintenance (personnel d'entretien)

### ⚠ Avertissement

- Seul le personnel d'entretien professionnel est habilité à effectuer des travaux de maintenance.
- Couper l'alimentation avant la connexion aux dispositifs de câblage.
- Ne pas utiliser les matériaux inflammables (par exemple, laque ou insecticide) à proximité du produit. Ne pas nettoyer le produit à l'aide de solvants organiques tels qu'un diluant. L'utilisation de solvants organiques peut provoquer des déchirures, des décharges électriques ou des risques d'incendie.
- S'adresser à un expert technique pour l'installation des accessoires en option. Utiliser les accessoires spécifiés par Daikin. Une installation incorrecte par vous-même peut être à l'origine d'une fuite d'eau, de décharges électriques et de risques d'incendie.

### ⚠ Attention

- Nettoyer l'unité qu'après avoir arrêté l'unité et coupé l'alimentation. Le non-respect de cette consigne peut provoquer des décharges électriques ou des blessures corporelles.

### Maintenance journalière: Nettoyage du filtre à air

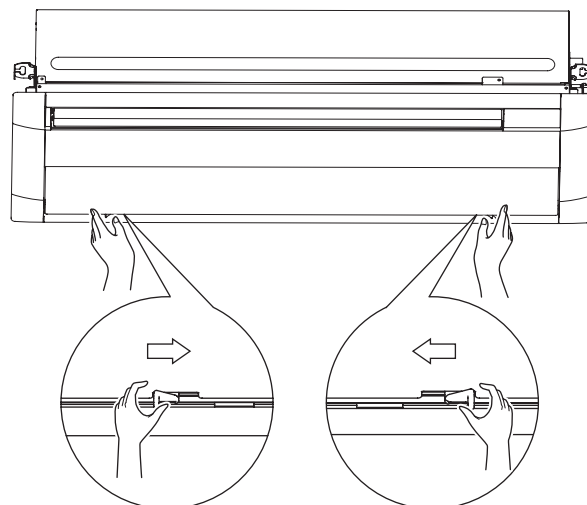
#### Description

- Ne pas retirer le filtre à air s'il n'est pas nécessaire de le nettoyer. Le non-respect de cette consigne peut provoquer un dysfonctionnement.
- Lorsque "Nettoyage du filtre" est indiqué sur la télécommande ou sur le système de régulation centralisé, nettoyer le filtre à air.
- S'affiche à l'issue d'une période de fonctionnement donnée.
- Si le climatiseur est utilisé dans un endroit sale, augmenter la fréquence de nettoyage. (Environ tous les six mois)

#### 1.Ouvrir le clapet d'admission.

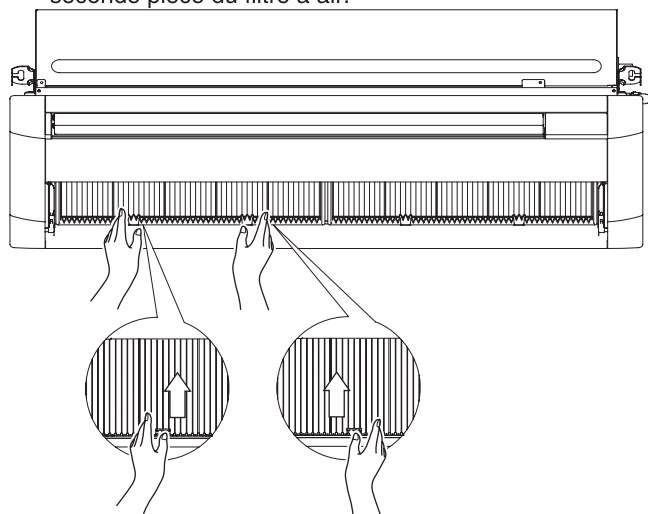
Pousser vers l'intérieur tout en appuyant sur les deux clips. Après avoir poussé vers le haut, pousser lentement vers le bas.

- ⚠ **ATTENTION**.....Ne pas relâcher votre prise immédiatement après avoir poussé vers le haut. Le non-respect de cette consigne provoquera des blessures corporelles, car le clapet d'admission tombera sous l'action de sa propre gravité.



## 2. Après l'ouverture du clapet d'admission, retirer le filtre à air comme indiqué dans la figure ci-dessous.

- (1) Tenir les clips du filtre à air et pousser vers l'avant jusqu'au bout. Puis tirer lentement le filtre à air vers le bas pour retirer l'une des deux pièces.
- (2) Procéder de la même manière que (1) pour retirer la seconde pièce du filtre à air.



## 3. Nettoyer le filtre à air.

### ⚠ Attention

- Ne pas utiliser de l'eau chaude ayant une température supérieure à 50°C (122°F), afin d'éviter toute dégradation ou déformation.
- Ne pas sécher le filtre à air à l'aide du feu, car il peut provoquer un incendie.

Ⓐ Utiliser un dépoussiéreur ou Ⓑ laver avec de l'eau pour enlever la poussière.

Ⓐ Utiliser un dépoussiéreur pour enlever la poussière.

Ⓑ Laver avec de l'eau.

S'il y a trop de poussière, la nettoyer avec une brosse souple et un détergent neutre.

Jeter l'eau et sécher dans un endroit ombragé.

## 4. Installer le filtre à air.

Après avoir ouvert le clapet d'admission, placer les deux pièces du filtre à air dans l'unité et clipser les clips du climatiseur dans les fentes.

## 5. Fermer le clapet d'admission.

Soulever légèrement le clapet d'admission. Lorsque le clapet d'admission touche le panneau, pousser doucement le clapet vers le haut. Lorsqu'un clic est émis, cela signifie que le clapet d'admission est fermé.

## 6. Après avoir allumé l'unité, appuyer sur la touche de "ré-initialisation du signal de nettoyage du filtre".

Le message "Nettoyage du filtre" disparaît.

## Nettoyage de la sortie d'air et du panneau extérieur

### ⚠ Attention

- Ne pas utiliser d'essence, de benzène, de diluant, de poudre de polissage ni d'insecticide liquide.
- Ne pas utiliser de l'eau chaude dont la température est supérieure à 50°C (122°F). Le non-respect de ces consignes peut être à l'origine de dégradation ou de déformation.

- Essuyer à l'aide d'un chiffon sec doux.

- S'il est impossible d'enlever la poussière, utiliser de l'eau ou un détergent neutre.

## 3. Service après-vente et réparation sous garantie

### ⚠ Avertissement

- Confier les réparations à un personnel d'entretien professionnel. Des réparations incorrectes peuvent être à l'origine d'une fuite d'eau, de décharges électriques et de risques d'incendie.
- Toujours confier le retrait et la réinstallation à un personnel d'entretien professionnel. Une installation incorrecte peut être à l'origine d'une fuite d'eau, de décharges électriques et de risques d'incendie.
- Le réfrigérant du climatiseur est sûr. En général, toute fuite est improbable. Cependant, en cas de fuite du réfrigérant dans les pièces, il peut générer un gaz nocif s'il entre en contact avec le feu d'un réchaud, d'un four ou d'une chaudière. Après avoir réparé la fuite de réfrigérant, ne pas faire fonctionner le climatiseur tant qu'un personnel d'entretien n'a pas validé la réparation.

- Lors d'un appel de réparation, fournir les éléments suivants à votre fournisseur:

- Nom du modèle
- Numéro de série et date d'installation
- Dysfonctionnement – détails (Code de dysfonctionnement affiché sur la télécommande.)
- Votre nom, adresse et numéro de téléphone

- Date d'expiration de la garantie

Contactez le fournisseur et s'il est en mesure d'effectuer la réparation, le service payant sera disponible.

- Période de stockage minimum des principaux composants et pièces

Daikin disposera en stock des principaux composants et pièces pendant 9 ans au moins après l'interruption de la production de ce type de climatiseur.

Les principaux composants et pièces correspondent aux pièces essentielles au fonctionnement du climatiseur.

- Maintenance et inspection

Après des années de fonctionnement, l'accumulation de poussière va plus ou moins entraver les performances de l'unité.

Nous vous conseillons de signer un contrat de maintenance et d'inspection (service payant) en plus d'une maintenance normale effectuée par vos soins. Pour plus de détails sur le service professionnel, contactez votre fournisseur.

- Où appeler

Pour le service après-vente, etc, consulter votre fournisseur.


- Retirer d'abord le réfrigérant avant de procéder à son élimination, transport, sa réinitialisation et maintenance. L'unité à éliminer doit être manipulée par le recycleur qualifié pour traiter les appareils électriques et les produits électroniques usagés.


- Pour chaque matériau homogène du climatiseur, les contenus du plomb, mercure, chrome hexavalent, PBB et PBDE sont inférieurs à 0,1% (fraction de masse), et le contenu de cadmium est inférieur à 0,01% (fraction de masse).


## CONSIDERACIONES SOBRE LA SEGURIDAD


Lea estas **Consideraciones sobre la seguridad para las operaciones** cuidadosamente antes de instalar el equipo de aire acondicionado. Después de completar la instalación, asegúrese de que la unidad funcione correctamente durante la operación de arranque. Enseñe al cliente el modo de operación y la forma de mantenerla correctamente.

Informe a los clientes que deben guardar este Manual de Operación junto con el Manual de instalación para referencia futura. Significados de los símbolos **PELIGRO, ADVERTENCIA, PRECAUCIÓN, y NOTA:**

 **PELIGRO**.....Indica una situación de peligro inminente que, si no se evita, provocará la muerte o lesiones graves.

 **ADVERTENCIA**.....Indica una situación de peligro potencial que, si no se evita, podría provocar la muerte o lesiones graves.

 **PRECAUCIÓN**.....Indica una situación de peligro potencial que, si no se evita, puede provocar lesiones leves o moderadas. También puede aparecer para avisarle sobre prácticas peligrosas.

 **NOTA**.....Indica situaciones que pueden tener como resultado accidentes que dañen el equipo o las propiedades únicamente.

### **PELIGRO**

- No instale la unidad en lugares en los que haya materiales inflamables debido al peligro de explosión que puede causar lesiones serias o la muerte.
- Toda anomalía en la operación del aire acondicionado o de la bomba de calor, como la presencia de humo o fuego, puede provocar lesiones severas o la muerte. Desconecte la alimentación y comuníquese con su distribuidor de inmediato.
- El gas refrigerante puede generar un gas tóxico si entra en contacto con el fuego, como puede ser el de un ventilador, un calentador, una estufa u otro aparato de cocina. La exposición a este gas podría causar lesiones graves o la muerte.
- En caso de pérdida del refrigerante, consulte a su distribuidor. El gas refrigerante es más pesado que el aire y reemplaza al oxígeno. Una fuga masiva puede llevar al vaciado de oxígeno, especialmente en subterráneos, y se podría producir un peligro de asfixia que podría causar lesiones serias o la muerte.
- Si el equipo que utiliza un quemador se emplea en el mismo ambiente que el aire acondicionado o la bomba de calor, existe el riesgo de que haya una deficiencia de oxígeno que puede generar el riesgo de asfixia que a su vez puede provocar lesiones graves o la muerte. Asegúrese de ventilar el ambiente lo suficiente a fin de evitar este riesgo.
- Deseche el material de empaque de manera segura. Los materiales de empaque como claves y otras piezas de metal o madera pueden provocar heridas punzo cortantes y otras lesiones.
- Rompa y tire las bolsas de plástico del empaque para que los niños no puedan jugar con ellas. Al jugar con bolsas plásticas, los niños corren el riesgo de muerte por sofocación.

### **ADVERTENCIA**

- Comuníquese con su distribuidor para realizar consultas relacionadas con las reparaciones y el mantenimiento. La reparación y el mantenimiento inadecuados pueden resultar en fugas de agua, descargas eléctricas o un incendio. Utilice únicamente los accesorios fabricados por Daikin diseñados específicamente para su uso con el equipo y permita que un profesional se ocupe de la instalación.
- Comuníquese con su distribuidor para mover y reinstalar el aire acondicionado o la bomba de calor. La instalación incompleta puede resultar en una fuga de agua, descargas eléctricas o incendio.
- No permita que la unidad interior ni el control remoto se mojen. El agua puede provocar una descarga eléctrica o un incendio.
- No utilice aerosoles inflamables como spray para el cabello, laca o pintura cerca de la unidad. Los aerosoles inflamables pueden provocar un incendio.
- Cuando se quema un fusible, no lo reemplace por otro con un amperaje o cableado diferente. Siempre reemplace los fusibles quemados por otro de la misma especificación.
- Nunca retire la rejilla protectora del ventilador de la unidad. Un ventilador que gira a gran velocidad sin la rejilla protectora es muy peligroso.
- No revise ni repare la unidad usted mismo. Comuníquese con una persona calificada para realizar las reparaciones.
- Apague la alimentación eléctrica antes de realizar cualquier tipo de mantenimiento a fin de evitar el riesgo de descarga eléctrica, no rocíe ni derrame líquidos sobre la unidad. No toque el interruptor con las manos mojadas. Si toca el interruptor con las manos mojadas puede recibir descargas eléctricas.
- No permita que los niños jueguen sobre, ni cerca de la unidad, ya que podrían sufrir heridas.
- Las aletas del intercambiador de calor están afiladas y pueden cortar a alguien. Para evitar lesiones, use guantes o cubra las aletas cuando trabaje cerca de ellas.
- No coloque sus dedos ni otros objetos en la entrada o salida de aire. El ventilador gira a alta velocidad y puede provocar lesiones.
- Controle la base de la unidad a fin de detectar daños en la base continua, en especial si ha estado en uso durante un período prolongado. Si se ignoran los daños, la unidad puede caerse y provocar lesiones.
- Colocar un florero u otro recipiente con agua u otros líquidos sobre la unidad puede provocar una descarga o un incendio en caso de derrame.
- No toque la salida de aire ni las paletas horizontales mientras el regulador de flujo de aire está en funcionamiento porque podría provocar lesiones en sus dedos.
- No toque las partes interiores del controlador. No retire el panel frontal porque es peligroso tocar algunas de las piezas. Para controlar y ajustar las piezas internas, comuníquese con su distribuidor.
- Asegúrese de conectar a tierra la unidad. No conecte la unidad a tierra a una tubería de servicios públicos, pararrayos o conexión telefónica a tierra. Una conexión a tierra incompleta puede provocar una descarga eléctrica o un incendio. Una corriente de sobretensión provocada por un rayo u otras fuentes puede dañar el aire acondicionado o la bomba de calor.
- Este equipo puede instalarse con un Interruptor de circuito con descarga a tierra (Ground Fault Circuit Interrupter, GFCI). Aunque es una medida reconocida para brindar protección adicional, con el sistema de conexión a tierra de Nortea-

mérica no se necesita un interruptor de circuito con descarga a tierra GFCI.

### PRECAUCIÓN

- No utilice el aire acondicionado o la bomba de calor para otros fines que no sean el enfriamiento o la calefacción del ambiente. No utilice la unidad para refrigerar instrumentos de precisión, alimentos, plantas, animales u obras de arte.
- No coloque elementos debajo de la unidad interior dado que pueden sufrir daños por la condensación que puede formarse cuanto el porcentaje de humedad supera el 80% o si la salida del drenaje se bloquea.
- Antes de realizar una limpieza, detenga la unidad apagando la fuente de alimentación o retirando el cable de alimentación del enchufe. De lo contrario, puede sufrir una descarga eléctrica o una lesión.
- No lave el aire acondicionado o la bomba de calor con una cantidad excesiva de agua. Puede sufrir una descarga eléctrica o una lesión.
- Evite colocar el control remoto en un lugar salpicado con agua. Si entra agua en el control remoto puede provocar una descarga eléctrica o dañar las piezas electrónicas internas.
- No ponga en funcionamiento el aire acondicionado o la bomba de calor cuando utilice un insecticida para fumigación. No hacerlo puede hacer que las sustancias químicas se depositen en la unidad y pongan en riesgo la salud de aquellos que son hiper sensibles a las sustancias químicas.
- No desconecte la alimentación inmediatamente después de haber detenido la operación. Siempre espere al menos 5 minutos antes de desconectar la alimentación. De lo contrario, podrían producirse fugas de agua.
- El artefacto no está diseñado para que lo utilicen niños pequeños o personas de salud delicada sin supervisión.
- El control remoto debe mantenerse fuera del alcance de los niños para que no puedan utilizarlo para jugar.
- Consulte al contratista de instalación con respecto a la limpieza del artefacto.
- La limpieza incorrecta de la parte interna del aire acondicionado o de la bomba de calor puede hacer que las piezas plásticas se rompan y provoquen una fuga de agua o una descarga eléctrica.
- No toque la entrada de aire ni la aleta de aluminio del aire acondicionado o de la bomba de calor dado que pueden provocar cortadas o lesiones.
- No coloque objetos directamente cerca de la unidad exterior. No permita que se acumulen hojas ni otros desechos alrededor de la unidad. Las hojas son un foco ideal para los animales pequeños que pueden ingresar a la unidad. Una vez dentro de la unidad, los animales pueden hacer que el equipo falle o provocar humo o fuego al entrar en contacto con las piezas eléctricas.

### NOTA

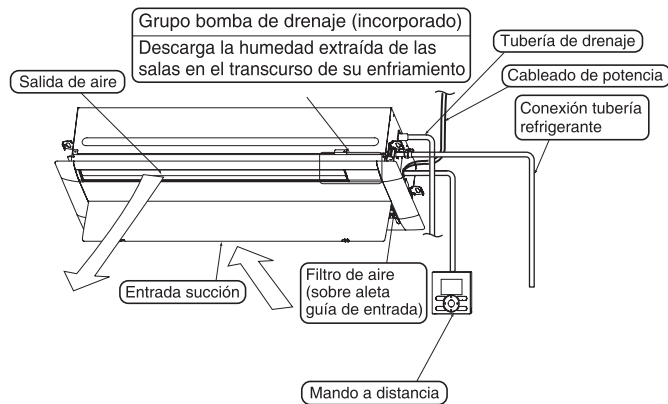
- No presione el botón del control remoto con un objeto duro y puntiagudo. El control remoto puede dañarse.
- No jale ni retuerza el cable eléctrico del control remoto. Puede hacer que la unidad falle.
- No coloque artefactos que generan una llama abierta en lugares expuestos al flujo de aire de la unidad ni debajo de la unidad interior. Puede provocar una combustión incompleta o la deformación de la unidad por el calor.

- No exponga el control remoto a la luz solar directa. La pantalla LCD puede decolorarse y dejar de mostrar los datos.
- No limpie el panel de operación del control con benceno, diluyente, paños químicamente tratados, etc. El panel puede decolorarse o el revestimiento puede resquebrajarse. Si está muy sucio, moje un paño en agua con un detergente neutro, retuézalo bien y limpie el panel. Luego límpielo con otro paño seco.
- El desmantelamiento de la unidad y el desecho del refrigerante, del aceite y de las partes adicionales deben efectuarse en conformidad con los reglamentos locales, estatales y nacionales relevantes.
- Ponga en funcionamiento el aire acondicionado o la bomba de calor en un área con suficiente ventilación que no esté rodeada de obstáculos. No use el aire acondicionado o la bomba de calor en los siguientes lugares.
  - a. Lugares con un rocío de aceite mineral, como el lubricante para cuchillas.
  - b. Lugares como áreas costeras donde hay mucha salitre en el aire.
  - c. Lugares como las fuentes termales donde hay mucho azufre en el aire.
  - d. Lugares como fábricas donde los voltajes de alimentación varían mucho.
  - e. En automóviles, barcos u otros vehículos.
  - f. Lugares como cocinas donde puede haber derrames de aceite o hay vapor en el aire.
  - g. Lugares donde los equipos generan ondas electromagnéticas.
  - h. Lugares con rocíos ácidos o alcalinos.
  - i. Lugares donde las hojas caídas pueden acumularse o donde pueden crecer hierbas.
- Tome medidas de protección contra la nieve. Póngase en contacto con su distribuidor para obtener detalles sobre las medidas de protección contra la nieve, tal como el uso de un techo de protección contra la nieve.
- No intente realizar tareas de mantenimiento eléctrico o de conexión a tierra a menos que cuente con una licencia para hacerlo. Consulte a su distribuidor acerca del trabajo de mantenimiento eléctrico o de conexión a tierra.
- Preste atención al sonido de operación. Asegúrese de utilizar los siguientes lugares:
  - a. Lugares que pueden soportar el peso del acondicionador de aire o de bomba de calor y que también puedan amortiguar el sonido y la vibración de operación del acondicionador de aire o de bomba de calor.
  - b. Lugares en los que el aire caliente de la salida de aire de la unidad exterior o el sonido de operación de la unidad exterior no moleste a los vecinos.
- Asegúrese de que no haya obstáculos cerca de la unidad exterior. Los obstáculos que se encuentren cerca de la unidad exterior pueden perjudicar el desempeño de la unidad exterior o incrementar el nivel de sonido de operación de la unidad exterior.
- Consulte a su distribuidor si el aire acondicionado o la bomba de calor genera un sonido inusual durante el funcionamiento.
- Asegúrese de que la tubería de drenaje esté instalada adecuadamente para drenar el agua. Si no sale agua del desagüe mientras el aire acondicionado o de bomba de calor está en modo de enfriamiento, es posible que el desagüe esté tapado con polvo o suciedad y puede haber una fuga de agua de la unidad interior. Apague el aire acondicionado o de bomba de calor y comuníquese con su distribuidor.

# CONTENIDO

Consideraciones sobre la seguridad ..... [i][ii]  
 1.Nombres y funciones de componentes ..... 1  
 2.Mantenimiento (para el personal de servicio)..... 1  
 3.Servicio postventa y reparaciones en garantía .....2

## 1. Nombres y funciones de componentes



## 2. Mantenimiento (para el personal de servicio)

### ⚠ Advertencia

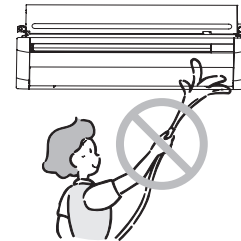
- El trabajo de mantenimiento puede ser desempeñado únicamente por personas profesionales del servicio.
- Desconectar todo suministro de energía antes de iniciar trabajos en equipo eléctrico.
- No utilizar materiales inflamables (por ejemplo, laca para el cabello o insecticidas) cerca del equipo.  
No limpiar el equipo con disolventes orgánicos tales como disolvente para pinturas. El uso de disolventes orgánicos puede resultar en shocks eléctricos y riesgo de incendios.
- Solicitar la instalación de los accesorios opcionales a técnicos expertos.  
Asegurarse de utilizar los accesorios de Daikin especificados. Una instalación inadecuada puede ocasionar filtraciones de agua, shock eléctrico o riesgo de incendios.

### ⚠ Precaución

- Proceder a la limpieza de la unidad únicamente después de detener su funcionamiento y de desconectar todo suministro de energía.  
No hacerlo puede resultar en shocks eléctricos o lesiones.



- No limpiar el acondicionador de aire con agua. No hacerlo puede resultar en shocks eléctricos o incendio.



- Utilizar un soporte de apoyo estable. Prestar especial atención al limpiar el acondicionador de aire.

### Mantenimiento diario: Limpiar el filtro de aire

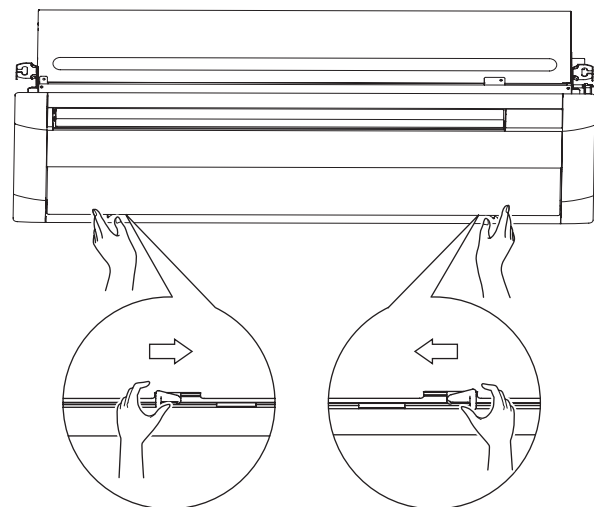
#### Descripción

- No extraer el filtro de aire si no se va a limpiar. De lo contrario puede producirse una avería.
- El filtro de aire se debe limpiar cuando se indica “filter cleaning” (Limpieza del filtro) en el mando a distancia o en el controlador centralizado.
- El aviso aparecerá después de que la unidad haya funcionado durante determinado tiempo.
- Si el acondicionador de aire se usa en un lugar polvoriento incrementar la frecuencia de limpieza. (Más o menos una vez cada 6 meses)

### 1.Abrir la aleta guía de entrada.

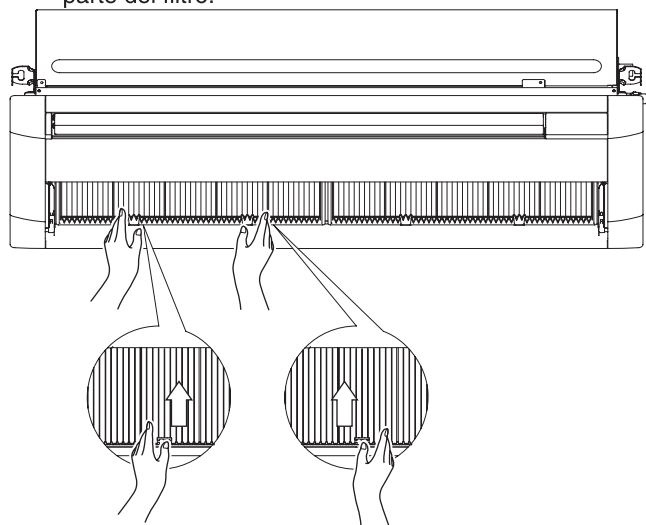
Empujar hacia adentro mientras se presionan las dos pinzas. Después de empujar hasta el tope arriba, tirar despacio hacia abajo.

- ⚠ **PRECAUCIÓN**.....No aflojar de inmediato después de empujar hacia arriba. Si se afloja de inmediato la aleta guía de la entrada caerá por su propio peso y puede causar lesiones.



## 2. Después de abrir la aleta guía de entrada extraer el filtro de aire como se muestra en la figura de abajo.

- (1) Sujetar con la mano los clips del filtro de aire y empujar hasta el fondo. A continuación, tirar del filtro hacia abajo lentamente para extraer una de las piezas del mismo.
- (2) Proceder de idéntica manera para extraer la segunda parte del filtro.



## 3. Limpieza del filtro de aire.

### ⚠ Precaución

- No utilizar agua caliente a temperatura superior a 122°F (50°C) para evitar decoloraciones o deformaciones.
- No secar el filtro de aire en las inmediaciones de una llama abierta, porque podría inflamarse.

Ⓐ Utilizar un aspirador o Ⓑ limpiar con agua para eliminar el polvo.

Ⓐ Utilizar un aspirador para eliminar el polvo.

Ⓑ Limpiar con agua.

Si hay mucho polvo, limpiar con un cepillo suave y un detergente neutro.

Sacudir el agua y completar la operación de secado en un lugar sombreado.

## 4. Instalar el filtro de aire.

Después de abrir la aleta guía de entrada, colocar las dos piezas del filtro de aire en la unidad y asegurar los clips de sujeción en el acondicionador a las ranuras.

## 5. Cerrar la aleta guía de entrada.

Levantar ligeramente la aleta guía de entrada. Cuando la aleta entre en contacto con el panel, empujarla ligeramente hacia arriba. La aleta guía de entrada queda cerrada tras oír un clic.

## 6. Al conectar el suministro de energía pulsar la tecla de "reconfiguración de la señal de aviso de limpieza del filtro" (filter cleaning signal resetting).

Desaparecerá la señal de "aviso de limpieza de filtro".

## Limpieza de la salida de aire y del panel exterior

### ⚠ Precaución

- No utilizar gasolina, benceno, disolvente, polvo de pulir o insecticida líquido.
- No utilizar agua caliente a temperatura superior a 122°F (50°C). De no hacerlo puede producirse decoloración o deformación.

- Frotar con un paño suave y seco.

- Si no puede eliminar al polvo, utilizar agua y un detergente neutro.

## 3. Servicio postventa y reparaciones en garantía

### ⚠ Advertencia

- Asegurarse de que las reparaciones son efectuadas por personal profesional. Una reparación incorrecta puede ocasionar filtraciones de agua, shock eléctrico o riesgo de incendios.
- El desmantelamiento o la reinstalación deben ser llevadas a cabo también por personal profesional. Una instalación incorrecta puede ocasionar filtraciones de agua, shock eléctrico o riesgo de incendios.
- El refrigerante que contiene el acondicionador de aire es seguro. En general, es improbable que haya fugas de refrigerante. Sin embargo, si se presentan fugas de refrigerante en la(s) sala(s), puede generar gases nocivos en contacto con chispa o llama desnuda (calentador, estufa, horno...). Después de finalizar cualquier reparación de fugas de refrigerante, no utilizar el acondicionador hasta que una persona del servicio suficientemente cualificada confirme que la fuga ha sido reparada.

- Al solicitar una reparación, informe a su distribuidor de los detalles siguientes:
  - Nombre del modelo
  - Número de serie y fecha de instalación
  - Avería – detalles (Código de avería que aparece en el mando a distancia)
  - Su nombre, dirección y número de teléfono
- Fecha de caducidad de la garantía. Ponerse en contacto con el vendedor que, si está capacitado efectuará la reparación, facturándola.
- Período mínimo de almacenamiento de piezas clave. Daikin mantiene en stock los componentes principales y las piezas durante por lo menos 9 años desde el cese de la producción de este tipo de acondicionador de aire. "Piezas clave" significa piezas que son esenciales para el funcionamiento del acondicionador de aire.
- Mantenimiento e inspección. Tras años en funcionamiento, el polvo acumulado dificultará en mayor o menor grado las prestaciones de la unidad. Aconsejamos que contrate servicio e inspección (servicio a cobrar) además del mantenimiento normal que pueda ejecutar usted mismo. Ponerse en contacto con el distribuidor para más detalles sobre profesionales del servicio.
- Donde llamar. Para servicio postventa, consultar con su distribuidor.
- Antes de descartar, transportar o reconfigurar o efectuar mantenimiento de la unidad, recuperar el refrigerante. La unidad a reciclar debe ser manipulada por un reciclador cualificado para tratar con el material eléctrico y los productos de desecho eléctricos y electrónicos.
- Para el material homogéneo del acondicionador de aire, el contenido en plomo, mercurio, cromo hexavalente, PBB y PBDE son menores de 0,1% (fracción de masa), y el contenido en cadmio es menor del 0,01% (fracción de masa).



**DAIKIN**



Our continuing commitment to quality products may mean a change in specifications without notice.

© 2015 **DAIKIN NORTH AMERICA LLC** · Houston, Texas · USA · [www.daikincomfort.com](http://www.daikincomfort.com)



3P407770-1

(1509) HTS